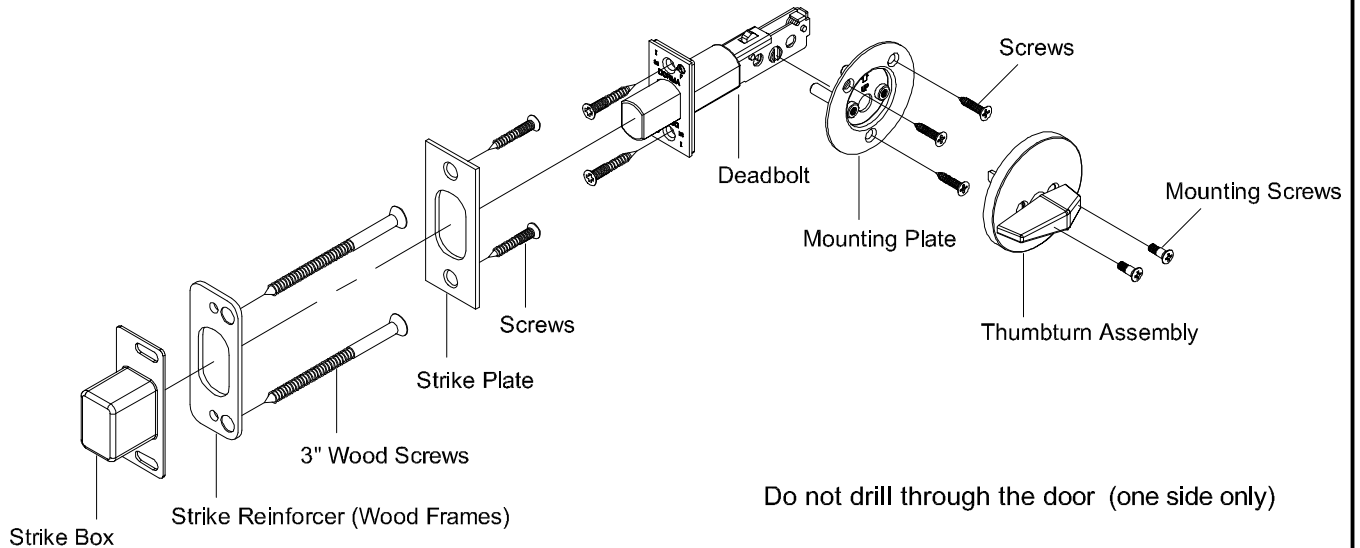


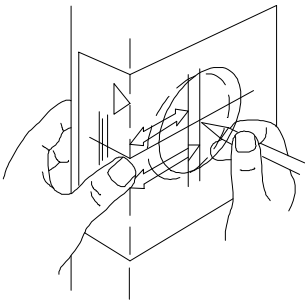


INSTALLATION INSTRUCTIONS-D881



1 Mark door

- 1 Place template on door and mark center for 1 1/2" hole at desired backset.
- 2 Template should be placed on thumbturn side of door.



2 Bore two holes

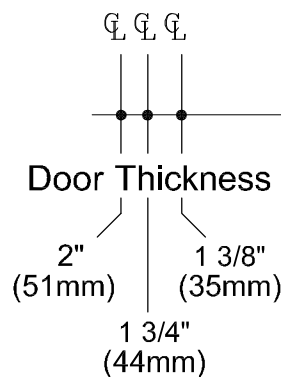
- 1 Drill 1 1/2" diameter hole to 1 3/16" depth.
Do not drill through the door (one side only)
- 2 Drill a 1" diameter for deadbolt hole from the edge of door to 4" depth minimum.
- 3 Using the deadbolt faceplate as a guide, mortise the edge of door to recess the faceplate.

1" diameter hole
4" depth minimum.

1 1/2" diameter hole
and 1 3/16" depth

Fold here and place template.

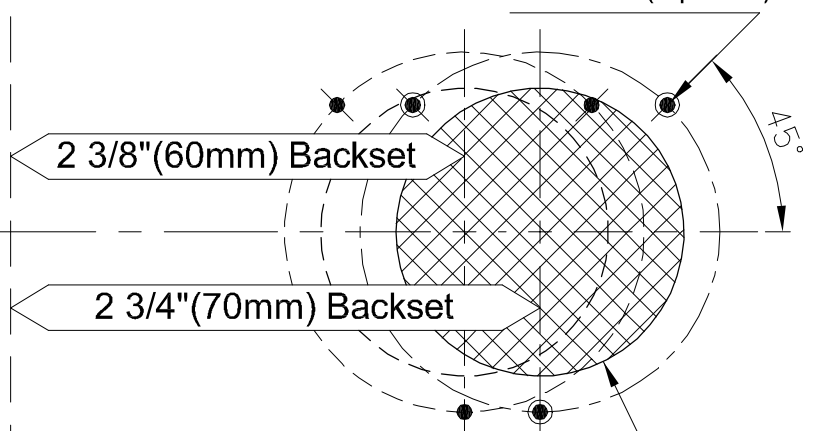
Template should be placed on thumbturn side of door.



Use 1" (25mm) drill for deadbolt hole, depth is 4" (102mm) minimum

D881 Template

Locations for fastener (3 places)

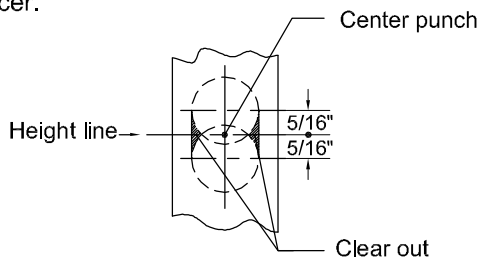


Check lock for proper backset before drilling

Drill 1 1/2" (38.1mm) dia. hole and 1 3/16" (30mm) depth.
Do not drill through the door (one side only).

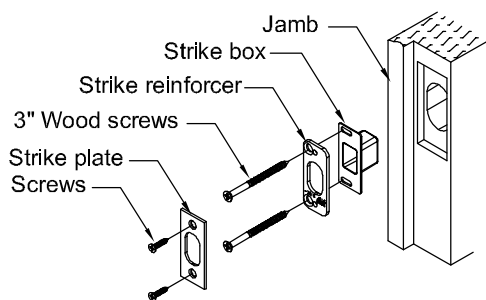
3 Prepare door jamb

- 1 Locate exact center of bolt and mark center lines on jamb as shown.
- 2 Mark drill points 5/16" above and below horizontal center line.
- 3 Bore two overlapping 7/8" holes, 1 1/8" deep.
- 4 Clean out holes for strike box and place strike box in hole.
- 5 Place strike over box and trace for cutout.
- 6 Chisel about 1/4" deep for flush fit of strike box, strike reinforcer.



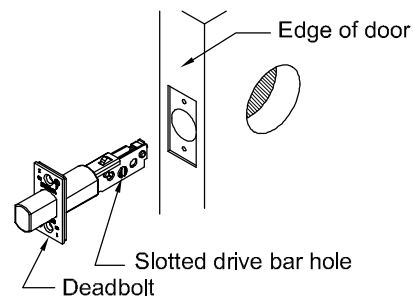
4 Install strike plate

- 1 Place strike reinforcer with screw holes toward doorstop.
- 2 Mark and drill two 3/16" holes for 3" wood screws.
- 3 Install strike reinforcer, strike box, and finish strike in the order shown.



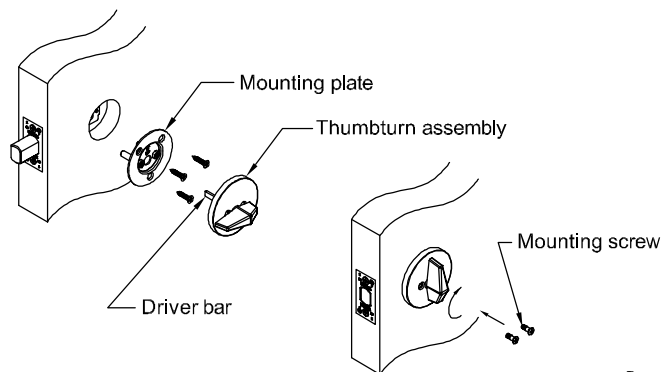
5 Install deadbolt assembly

- 1 Insert the deadbolt with slotted driver bar hole at the bottom of the assembly.
- 2 Secure the deadbolt to the door with screws.



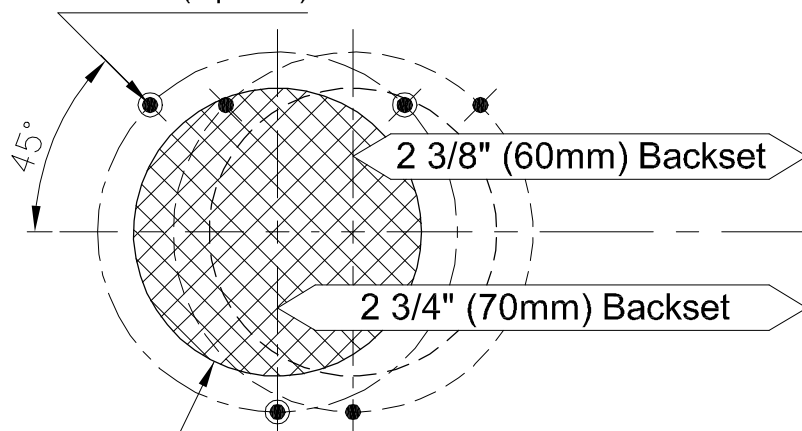
6 Attach trim

- 1 Insert the mounting plate and tighten with screws.
- 2 With driver bar in vertical position, slide the thumbturn assembly and driver bar into slotted driver bar hole.
- 3 Rotate the thumbturn assembly retracts deadbolt.
- 4 Secure the thumbturn assembly to the door with the mounting screws supplied.
- 5 Test lock with thumbturn. Bolt must travel and project fully into strike preparation without binding.



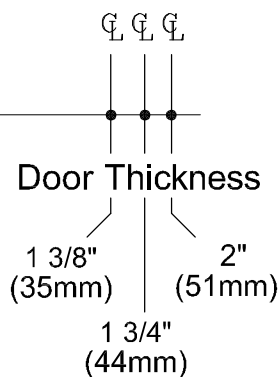
Locations for fastener (3 places)

D881 Template



Fold here and place template.

Template should be placed on thumbturn side of door.



Drill 1 1/2" (38.1mm) dia. hole and 1 3/16" (30mm) depth.
Do not drill through the door (one side only).

Check lock for proper backset before drilling

Use 1" (25mm) drill for deadbolt hole, depth is 4" (102mm) minimum