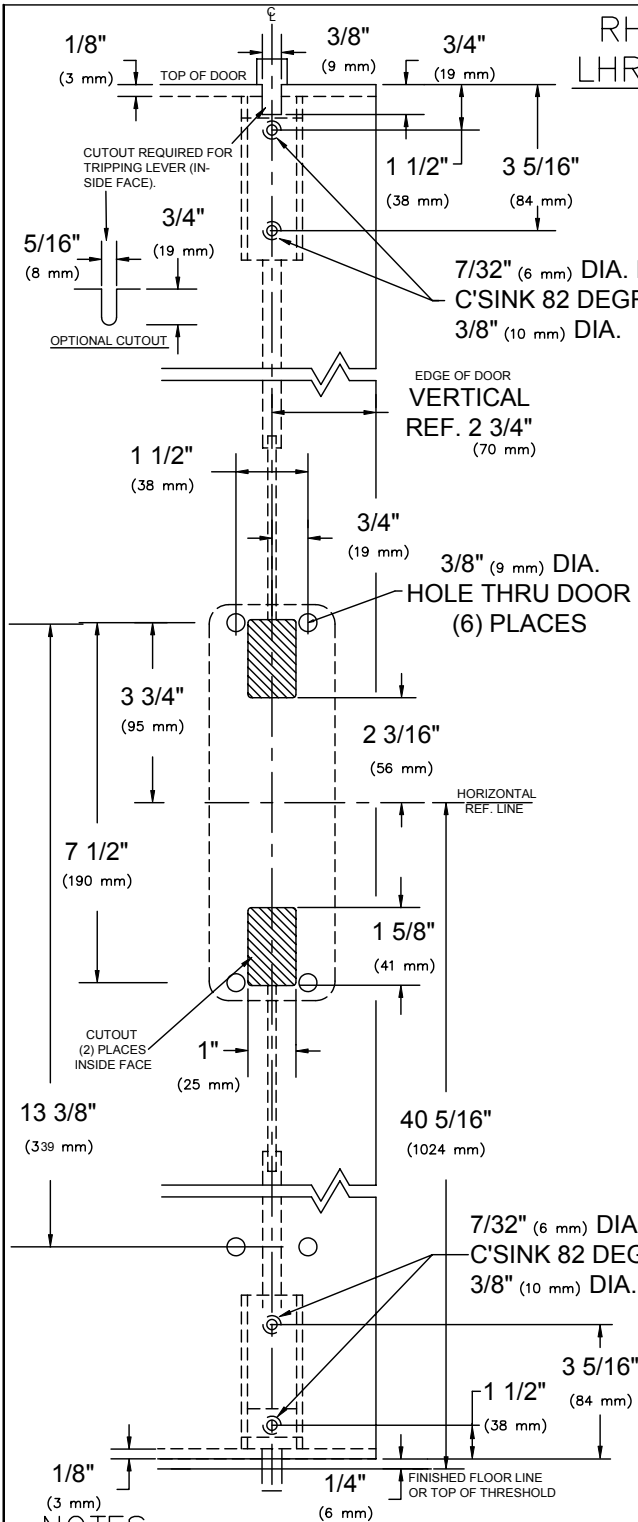
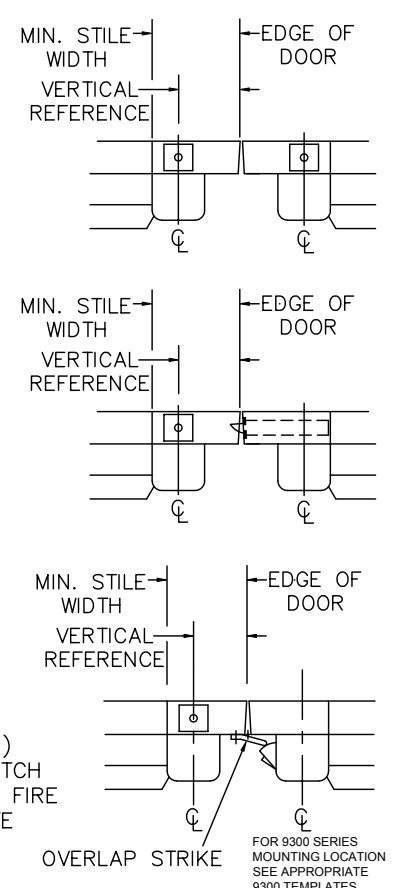
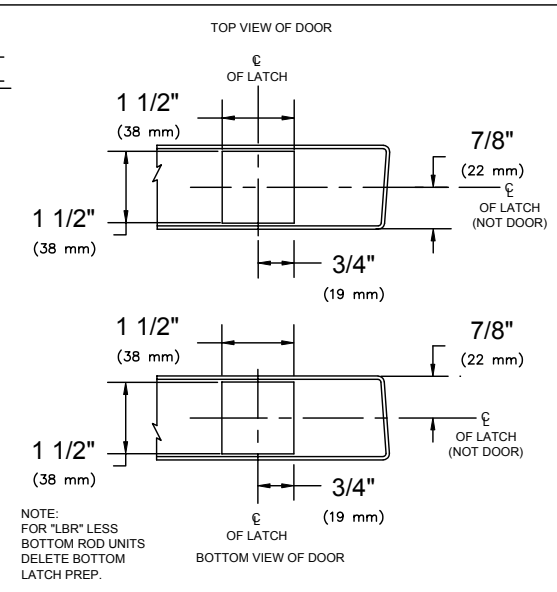


RHR SHOWN
LHR OPPOSITE




FOR LESS BOTTOM ROD (LBR) DEVICES, DELETE BOTTOM LATCH PREP. POPPER REQUIRED ON FIRE RATED DEVICE, SEE TEMPLATE T-4012.

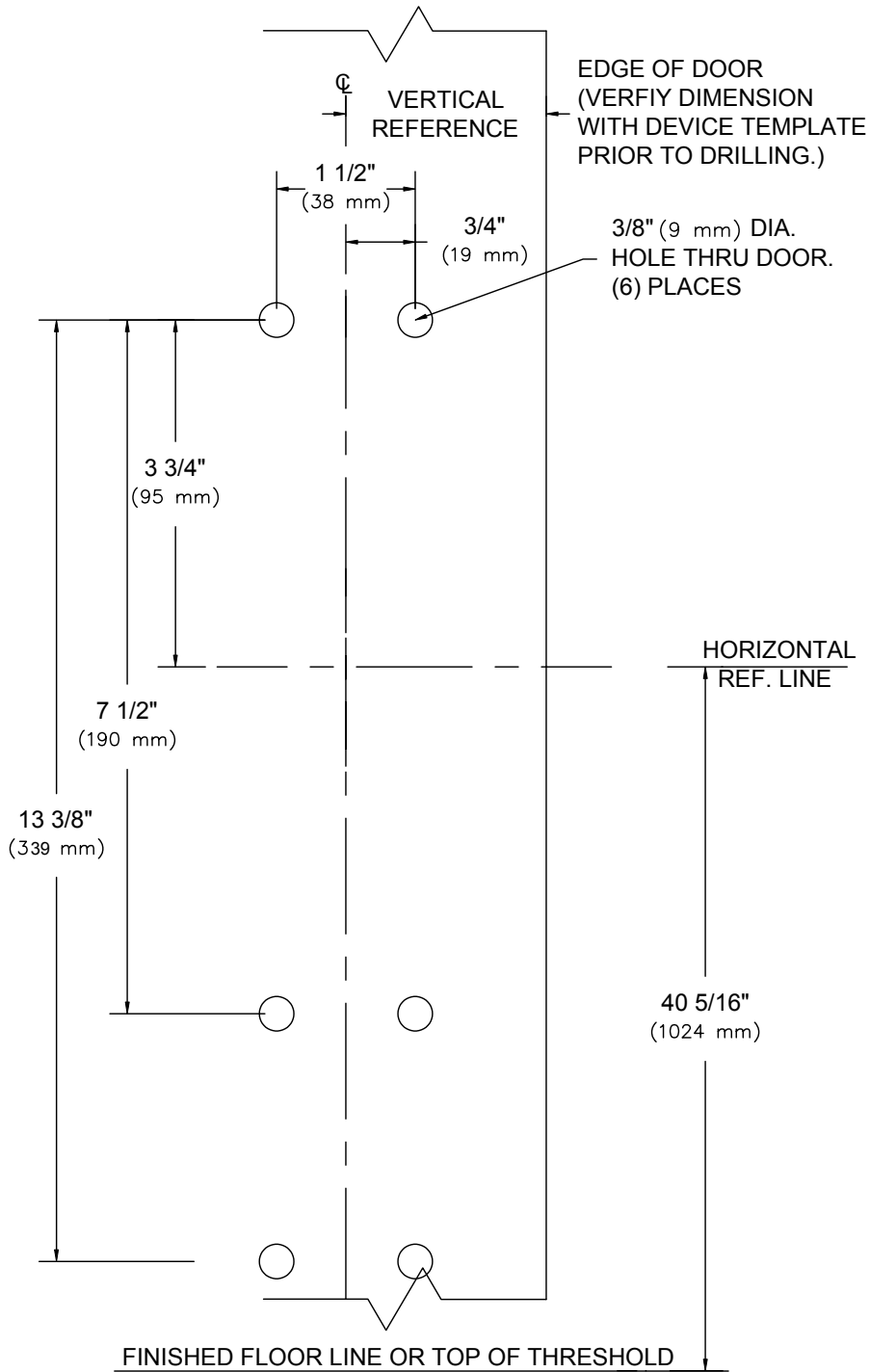


- NOTES:
1. SEE MASTER SHEET #T-0001 FOR SUGGESTED DOOR REINFORCEMENT.
 2. SEE ADDITIONAL TRIM TEMPLATE WHEN REQUIRED.
 3. DEVICE WILL COVER STANDARD SDI CUTOUT.

VERTICAL REFERENCE	MINIMUM STILE WIDTH
2 3/4" (70 mm)	4 3/16" (106 mm)


REV. No. 7	REVISION: Trim Designation	DATE: 12-31-03
	9100 & F9100 x VODTCV or NPTDTCV 9100 & F9100 x V102CV or V302CV 9100 & F9100 x PTT02CV or PRT02CV VERTICAL ROD EXIT DEVICE (Aluminum Door) (For Use With Optional ALD Brackets)	TEMPLATE NUMBER T-9130AL ⑦

RHR SHOWN
LHR OPPOSITE



NOTES:

1. SEE MASTER SHEET #T-0001 FOR SUGGESTED DOOR REINFORCEMENT.
2. SEE ADDITIONAL DEVICE TEMPLATE WHEN REQUIRED.
3. "T" STYLE TRIM WILL COVER STANDARD SDI CUTOUT.

REV. No. 6	REVISION: Trim Designation	DATE: 12-31-03
	<p>VODTCV OR NPTDTCV V102CV, V302CV, PTT02CV & PRT02CV TRIM</p>	<p>TEMPLATE NUMBER T-9014 ⑥</p>