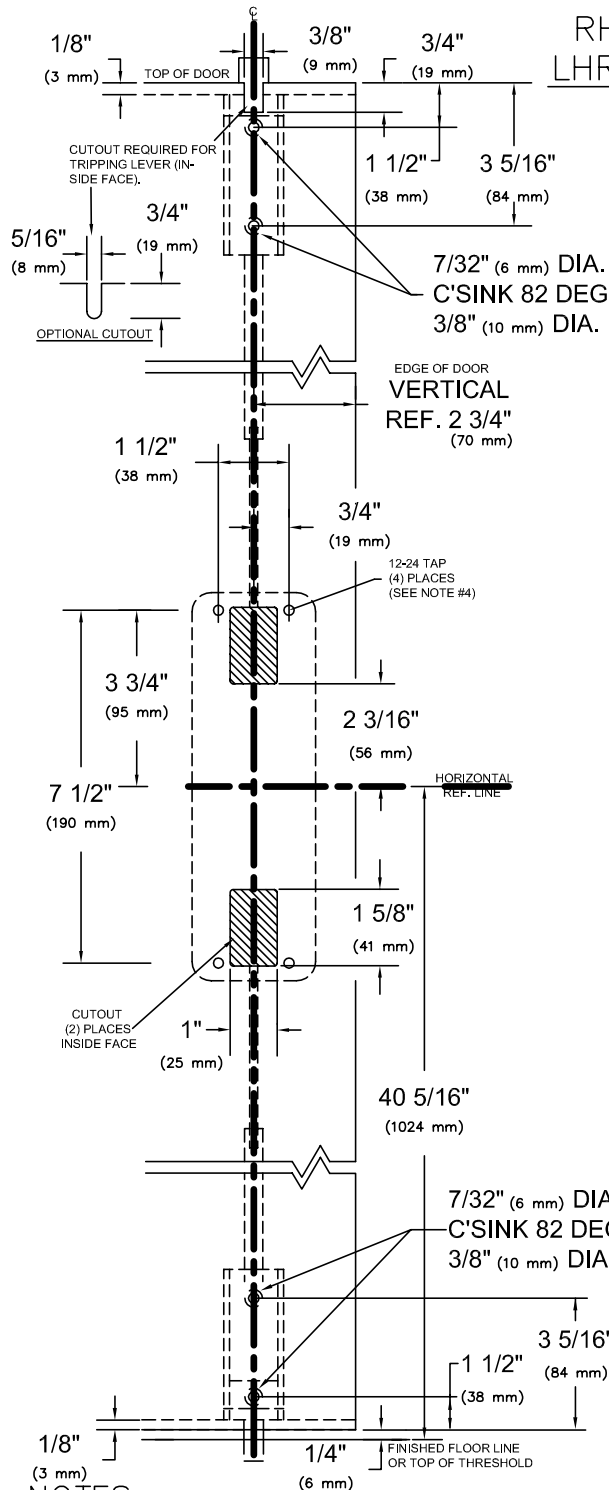
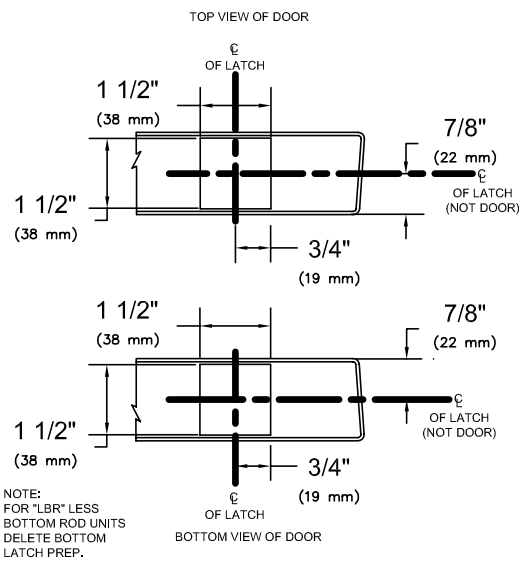


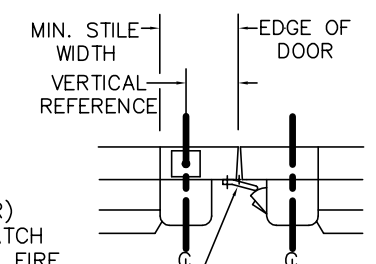
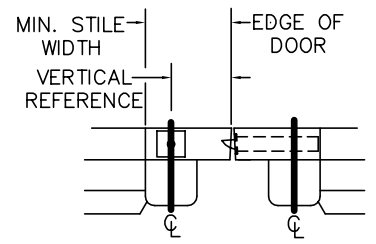
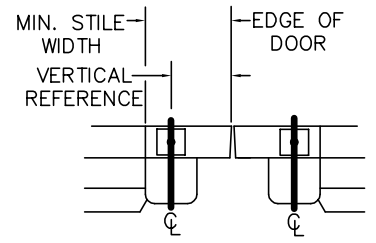
RHR SHOWN
LHR OPPOSITE



FOR LESS BOTTOM ROD (LBR) DEVICES, DELETE BOTTOM LATCH PREP. POPPER REQUIRED ON FIRE RATED DEVICE, SEE TEMPLATE T-4012.



NOTE:
FOR "LBR" LESS
BOTTOM ROD UNITS
DELETE BOTTOM
LATCH PREP.



FOR 9300 SERIES MOUNTING LOCATION SEE APPROPRIATE 9300 TEMPLATES.

NOTES:

1. SEE MASTER SHEET #T-0001 FOR SUGGESTED DOOR REINFORCEMENT.
2. SEE ADDITIONAL TRIM TEMPLATE WHEN REQUIRED.
3. DEVICE WILL COVER STANDARD SDI CUTOUT.
4. FOR SEX NUTS USE 3/8" DRILL.

VERTICAL REFERENCE	MINIMUM STILE WIDTH
2 3/4" (70 mm)	4 3/16" (106 mm)

REV. No. 3 REVISION: Add Note DATE: 3-18-03



9100 & F9100
VERTICAL ROD EXIT DEVICE
(Aluminum Door)
(For Use With Optional ALD Brackets)

TEMPLATE NUMBER
T-9128AL
③