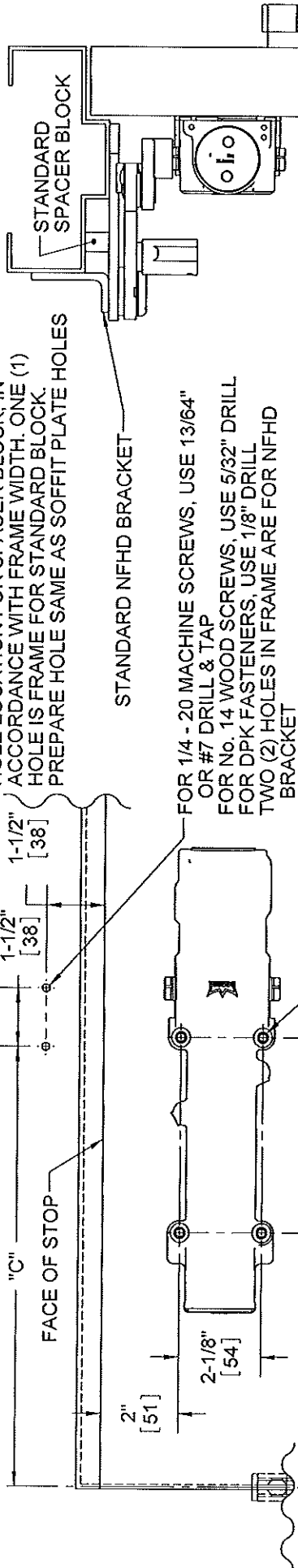


FOR 1/4 - 20 MACHINE SCREWS, USE 13/64" OR #7 DRILL & TAP
 FOR No. 14 WOOD SCREWS, USE 5/32" DRILL
 FOR DPK FASTENERS, USE 1/8" DRILL
 FOUR (4) HOLES IN FRAME AS FOR SOFFIT PLATE

NOTES:

- 1) DO NOT SCALE THIS DRAWING
- 2) DIMENSIONS ARE IN INCHES/[MM]
- 3) LEFT HAND DOOR IS SHOWN
- 4) CAUTION: SEX NUTS ARE REQUIRED FOR ATTACHMENT OF COMPONENTS TO UNREINFORCED DOOR AND TO WOOD OR PLASTIC FACED COMPOSITE TYPE FIRE DOORS, UNLESS AN ALTERNATIVE METHOD IS IDENTIFIED IN THE INDIVIDUAL DOOR MANUFACTURER'S LISTINGS.
- 5) MINIMUM DOOR WIDTH IS 26"
- 6) OPTIONAL DPK FASTENERS (DPK89) FOR STEEL DOOR & FRAME ONLY.

***IMPORTANT:** CHOOSE APPROPRIATE FIFTH HOLE LOCATION FOR SPACER BLOCK, IN ACCORDANCE WITH FRAME WIDTH. ONE (1) HOLE IS FRAME FOR STANDARD BLOCK. PREPARE HOLE SAME AS SOFFIT PLATE HOLES



STANDARD NFDH BRACKET

FOR 1/4 - 20 MACHINE SCREWS, USE 13/64" OR #7 DRILL & TAP
 FOR No. 14 WOOD SCREWS, USE 5/32" DRILL
 FOR DPK FASTENERS, USE 1/8" DRILL
 TWO (2) HOLES IN FRAME ARE FOR NFDH BRACKET

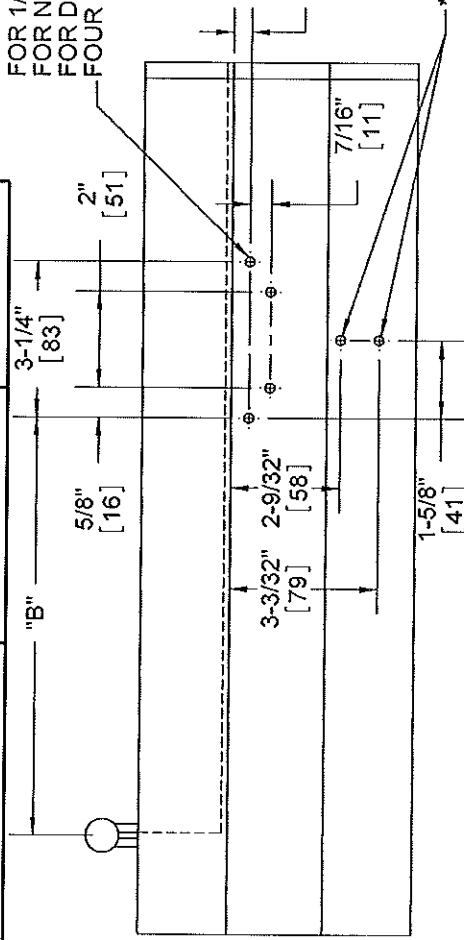
FOR 1/4 - 20 MACHINE SCREWS, USE 13/64" OR #7 DRILL & TAP
 FOR No. 14 WOOD SCREWS, USE 5/32" DRILL
 FOR DPK FASTENERS, USE 1/8" DRILL
 FOR SEX NUTS, USE 3/8" DRILL
 FOUR (4) HOLES IN DOOR ARE FOR CLOSER (SHOWN)

| ANGLE OF HOLD OPEN | ANGLE OF CUSHION | DIM. "A" CLOSER | DIM. "B" SOFFIT PLATE | DIM. "C" NFDH BRACKET |
|--------------------|------------------|-----------------|-----------------------|-----------------------|
| 85° | 86° - 96° | 5-3/4" [146] | 9-5/8" [244] | 10-1/2" [267] |
| 90° | 91° - 101° | 4-7/8" [124] | 8-3/4" [222] | 9-5/8" [244] |
| 100° | 101° - 111° | 3-5/8" [92] | 7-1/2" [190] | 8-3/8" [213] |
| 110° | 111° - 121° | 2-1/2" [64] | 6-3/8" [162] | 7-1/4" [184] |

DOOR CLOSER MODELS: 8916 & 8956 SDST
 SPRING DOOR SAVER (PARALLEL ARM INSTALLATION)
 FOR USE WITH STANDARD SPACER BLOCK
 FOR USE WITH STANDARD NFDH BRACKET



DORMA Architectural Hardware
 Reamstown, PA 17567

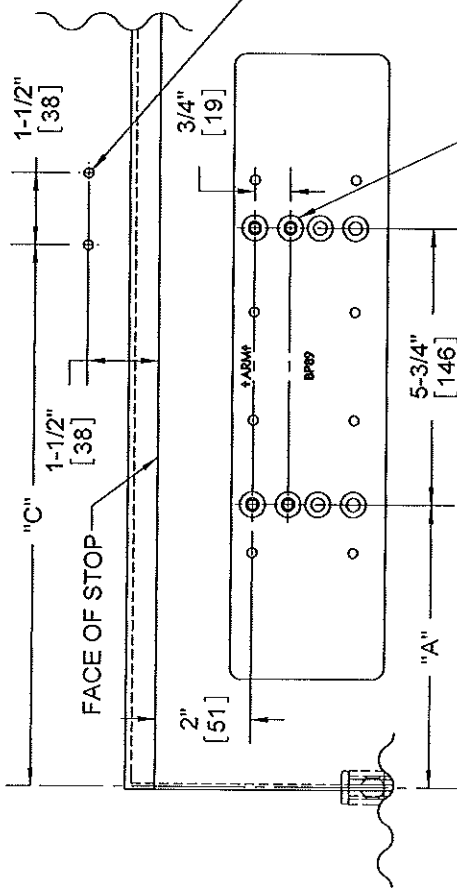


FOR 1/4 - 20 MACHINE SCREWS, USE 13/64" OR #7 DRILL & TAP
 FOR NO. 14 WOOD SCREWS, USE 5/32" DRILL
 FOR DPK FASTENERS, USE 1/8" DRILL
 FOUR (4) HOLES IN FRAME AS FOR SOFFIT PLATE

NOTES:

- 1) DO NOT SCALE THIS DRAWING
- 2) DIMENSIONS ARE IN INCHES/[MM]
- 3) LEFT HAND DOOR IS SHOWN
- 4) CAUTION: SEX NUTS ARE REQUIRED FOR ATTACHMENT OF COMPONENTS TO UNREINFORCED DOOR AND TO WOOD OR PLASTIC FACED COMPOSITE TYPE FIRE DOORS, UNLESS AN ALTERNATIVE METHOD IS IDENTIFIED IN THE INDIVIDUAL DOOR MANUFACTURE'S LISTINGS.
- 5) MINIMUM DOOR WIDTH IS 26"
- 6) OPTIONAL DPK FASTENERS (DPK89) FOR STEEL DOOR & FRAME ONLY.

***IMPORTANT: CHOOSE APPROPRIATE FIFTH HOLE LOCATION FOR SPACER BLOCK, IN ACCORDANCE WITH FRAME WIDTH. ONE (1) HOLE IS FRAME FOR STANDARD BLOCK. PREPARE HOLE SAME AS SOFFIT PLATE HOLES**



STANDARD NFDH BRACKET

STANDARD SPACER BLOCK

FOR 1/4 - 20 MACHINE SCREWS, USE 13/64" OR #7 DRILL & TAP
 FOR NO. 14 WOOD SCREWS, USE 5/32" DRILL
 FOR DPK FASTENERS, USE 1/8" DRILL
 TWO (2) HOLES IN FRAME ARE FOR NFDH BRACKET

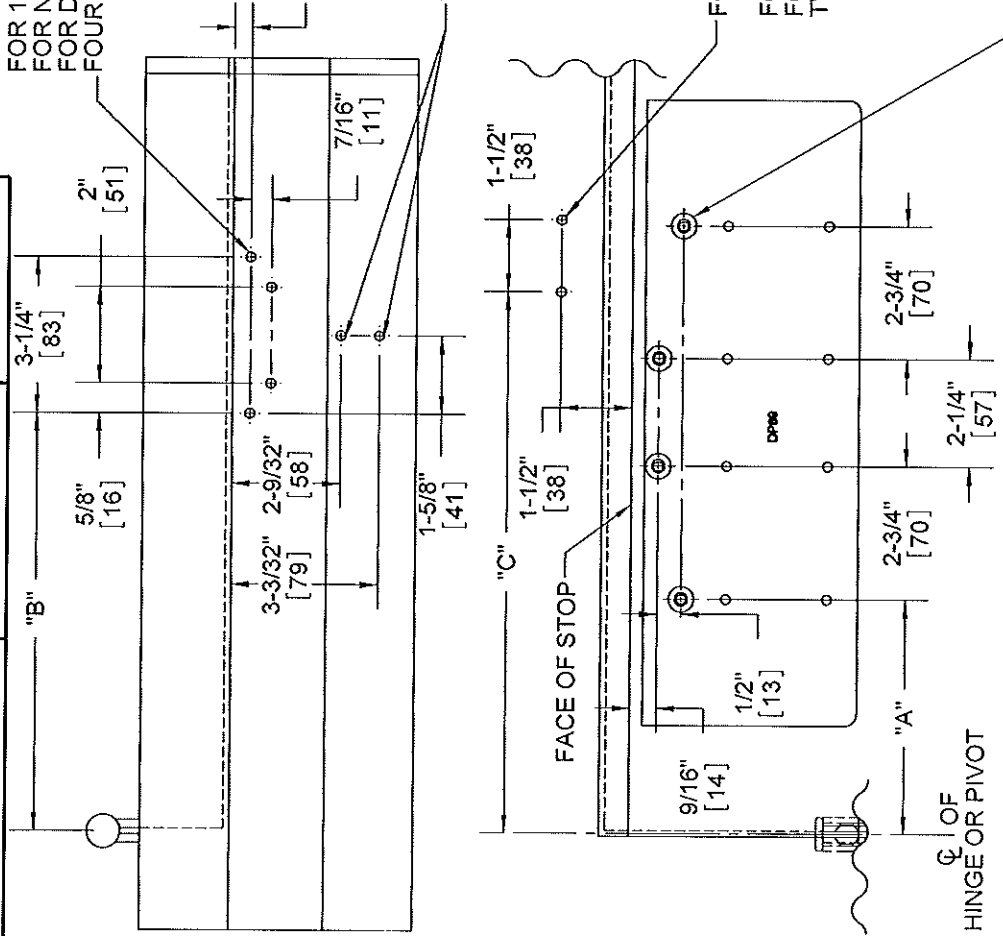
FOR 1/4 - 20 MACHINE SCREWS, USE 13/64" OR #7 DRILL & TAP
 FOR NO. 14 WOOD SCREWS, USE 5/32" DRILL
 FOR DPK FASTENERS, USE 1/8" DRILL
 FOR SEX NUTS, USE 3/8" DRILL
 FOUR (4) HOLES IN DOOR ARE FOR CLOSER (SHOWN)

| ANGLE OF HOLD OPEN | ANGLE OF CUSHION | DIM. "A" DROP PLATE | DIM. "B" SOFFIT PLATE | DIM. "C" NFDH BRACKET |
|--------------------|------------------|---------------------|-----------------------|-----------------------|
| 85° | 86° - 96° | 6-3/4" [171] | 9-5/8" [244] | 10-1/2" [267] |
| 90° | 91° - 101° | 5-7/8" [149] | 8-3/4" [222] | 9-5/8" [244] |
| 100° | 101° - 111° | 4-5/8" [117] | 7-1/2" [190] | 8-3/8" [213] |
| 110° | 111° - 121° | 3-1/2" [89] | 6-3/8" [162] | 7-1/4" [184] |

DOOR CLOSER MODELS: 8916 & 8956 SDST
 SPRING DOOR SAVER (PARALLEL ARM INSTALLATION) WITH BACK PLATE BP89
 FOR USE WITH STANDARD SPACER BLOCK
 FOR USE WITH STANDARD NFDH BRACKET



DORMA Architectural Hardware
 Reamstown, PA 17567



FOR 1/4 - 20 MACHINE SCREWS, USE 13/64" OR #7 DRILL & TAP
 FOR NO. 14 WOOD SCREWS, USE 5/32" DRILL
 FOR DPK FASTENERS, USE 1/8" DRILL
 FOUR (4) HOLES IN FRAME AS FOR SOFFIT PLATE

NOTES:

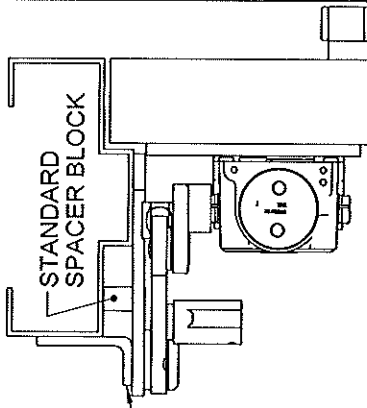
- 1) DO NOT SCALE THIS DRAWING
- 2) DIMENSIONS ARE IN INCHES/[MM]
- 3) LEFT HAND DOOR IS SHOWN
- 4) CAUTION: SEX NUTS ARE REQUIRED FOR ATTACHMENT OF COMPONENTS TO UNREINFORCED DOOR AND TO WOOD OR PLASTIC FACED COMPOSITE TYPE FIRE DOORS, UNLESS AN ALTERNATIVE METHOD IS IDENTIFIED IN THE INDIVIDUAL DOOR MANUFACTURE'S LISTINGS.
- 5) MINIMUM DOOR WIDTH IS 26"
- 6) OPTIONAL DPK FASTENERS (DPK89) FOR STEEL DOOR & FRAME ONLY.

***IMPORTANT:** CHOOSE APPROPRIATE FIFTH HOLE LOCATION FOR SPACER BLOCK, IN ACCORDANCE WITH FRAME WIDTH. ONE (1) HOLE IS FRAME FOR STANDARD BLOCK. PREPARE HOLE SAME AS SOFFIT PLATE HOLES

STANDARD NFHD BRACKET

FOR 1/4 - 20 MACHINE SCREWS, USE 13/64" OR #7 DRILL & TAP
 FOR NO. 14 WOOD SCREWS, USE 5/32" DRILL
 FOR DPK FASTENERS, USE 1/8" DRILL
 TWO (2) HOLES IN FRAME ARE FOR NFHD BRACKET

FOR 1/4 - 20 MACHINE SCREWS, USE 13/64" OR #7 DRILL & TAP
 FOR NO. 14 WOOD SCREWS, USE 5/32" DRILL
 FOR DPK FASTENERS, USE 1/8" DRILL
 FOR SEX NUTS, USE 3/8" DRILL
 FOUR (4) HOLES IN DOOR ARE FOR CLOSER (SHOWN)



| ANGLE OF HOLD OPEN | ANGLE OF CUSHION | DIM. "A" DROP PLATE | DIM. "B" SOFFIT PLATE | DIM. "C" NFHD BRACKET |
|--------------------|------------------|---------------------|-----------------------|-----------------------|
| 85° | 86° - 96° | 5-3/4" [146] | 9-5/8" [244] | 10-1/2" [267] |
| 90° | 91° - 101° | 4-7/8" [124] | 8-3/4" [222] | 9-5/8" [244] |
| 100° | 101° - 111° | 3-5/8" [92] | 7-1/2" [190] | 8-3/8" [213] |
| 110° | 111° - 121° | 2-1/2" [64] | 6-3/8" [162] | 7-1/4" [184] |

DOOR CLOSER MODELS: 8916 & 8956 SDST
 SPRING DOOR SAVER (PARALLEL ARM INSTALLATION) WITH DROP PLATE DP89
 FOR USE WITH STANDARD SPACER BLOCK
 FOR USE WITH STANDARD NFHD BRACKET



DORMA Architectural Hardware
 Reamstown, PA 17567