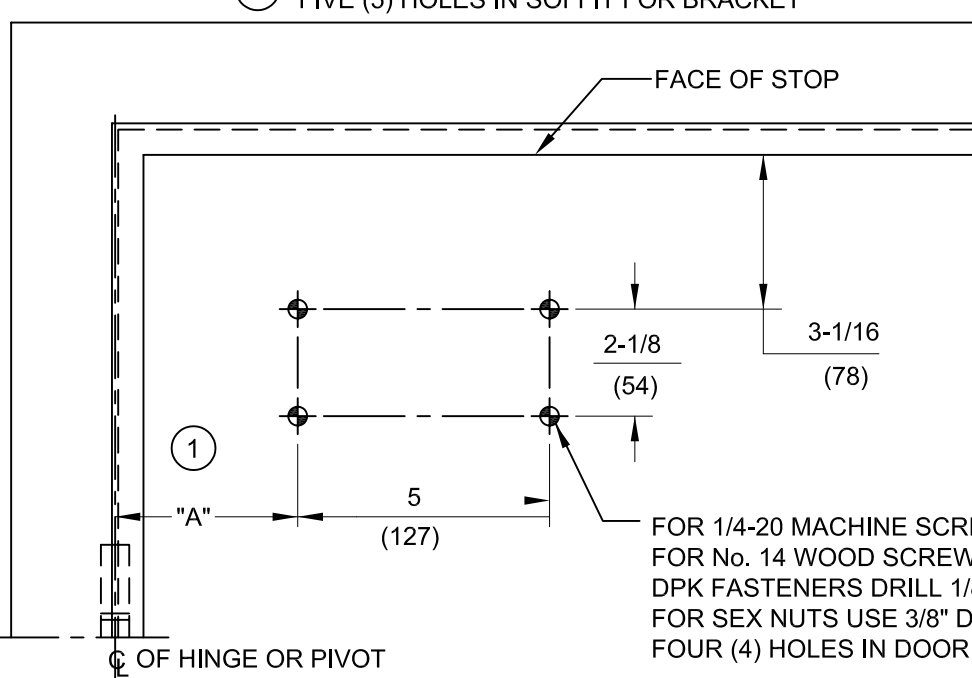


- ② FOR 1/4-20 MACHINE SCREWS USE 7/32 DRILL
- FOR No. 14 WOOD SCREWS USE 5/32" DRILL
- ③ DPK FASTENERS DRILL 1/8" PILOT HOLE
- FIVE (5) HOLES IN SOFFIT FOR BRACKET



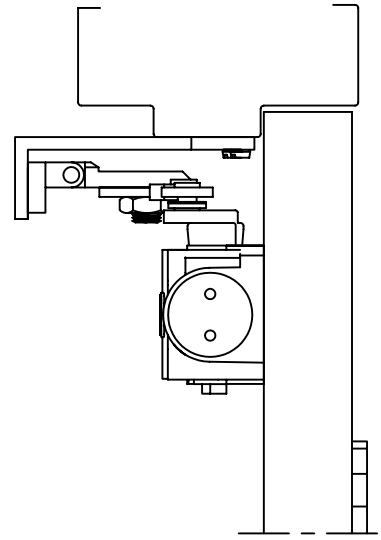
- ② FOR 1/4-20 MACHINE SCREWS USE 7/32 DRILL
- FOR No. 14 WOOD SCREWS USE 5/32" DRILL
- DPK FASTENERS DRILL 1/8" PILOT HOLE
- FOR SEX NUTS USE 3/8" DRILL
- FOUR (4) HOLES IN DOOR FOR CLOSER

| No. | REVISIONS | DATE |
|-----|---|---------|
| 1 | UPDATED DIMENSIONS | 5/22/98 |
| 2 | CHANGE DRILL FROM #7 TO 7/32 & UPDATE DESCRIPTION | 6/25/03 |
| 3 | ADDED DPK FASTENERS | 6/21/05 |

NOTES:

1. DO NOT SCALE DRAWING.
2. LEFT HAND DOOR SHOWN.
3. DIMENSIONS ARE IN INCHES/(MM).
4. CAUTION: SEX NUTS ARE REQUIRED FOR ATTACHMENT OF COMPONENTS TO UNREINFORCED DOORS AND TO WOOD OR PLASTIC FACED COMPOSITE TYPE FIRE DOORS, UNLESS AN ALTERNATIVE METHOD IS IDENTIFIED IN THE INDIVIDUAL DOOR MANUFACTURER'S LISTINGS.
5. MAXIMUM OPENING 180°.
6. SEE CATALOG FOR HOLD OPEN RANGE INFORMATION.

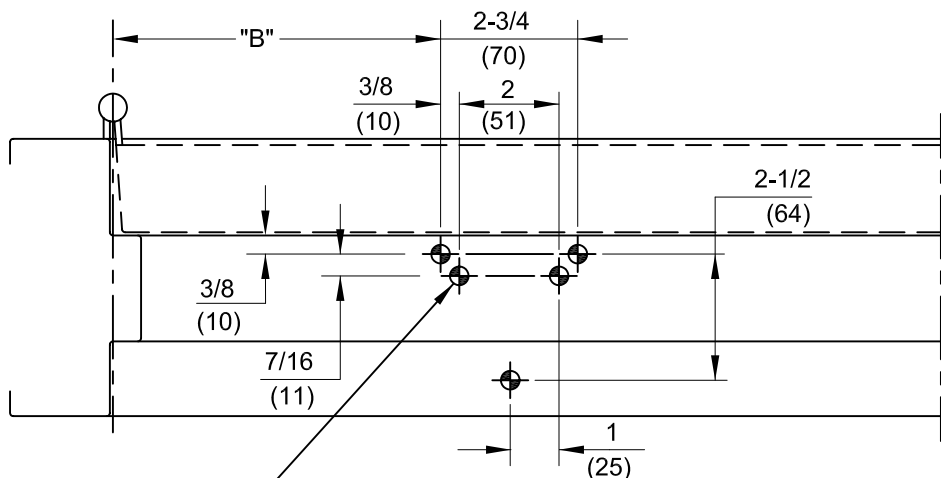
| ANGLE OF OPENING | DIM. "A" CLOSER | DIM. "B" SOFFIT PLATE |
|------------------|----------------------|------------------------|
| TO 100° | $\frac{8}{(203)}$ | $\frac{10-7/8}{(276)}$ |
| OVER 100° | $\frac{3-5/8}{(92)}$ | $\frac{6-1/2}{(165)}$ |



DOOR CLOSER MODELS: 8916, 8956 FHP ②
 PARALLEL ARM INSTALLATION (PUSH SIDE MOUNT)



DORMA Architectural Hardware
 REAMSTOWN, PENNSYLVANIA 17567
 TEMPLATE No. 8900-13 ③



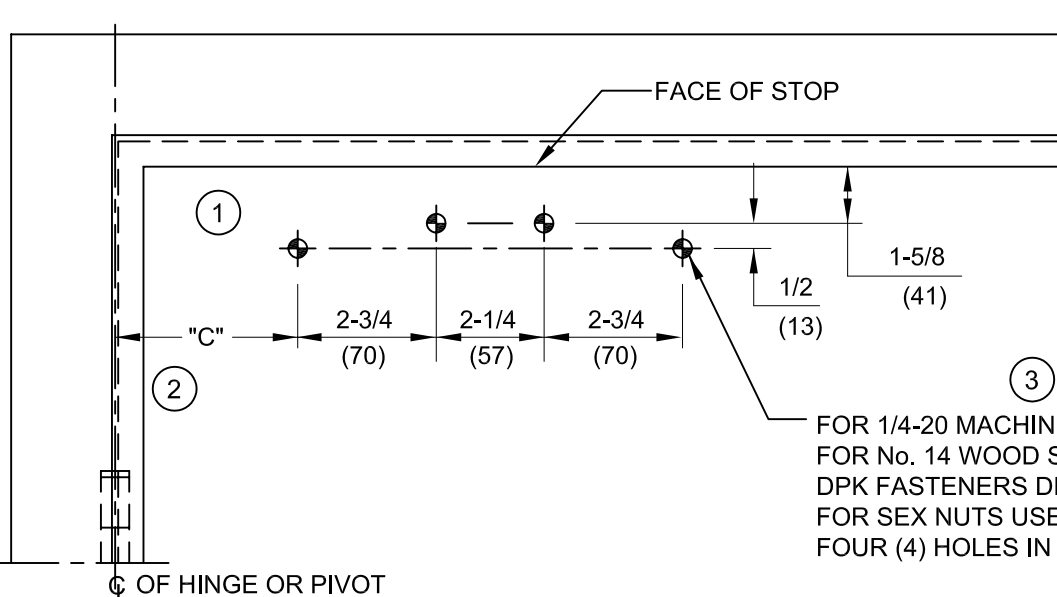
- ③ FOR 1/4-20 MACHINE SCREWS USE 7/32 DRILL
FOR No. 14 WOOD SCREWS USE 5/32" DRILL
DPK FASTENERS DRILL 1/8" PILOT HOLE
- ④ FIVE (5) HOLES IN SOFFIT FOR BRACKET

| No. | REVISIONS | DATE |
|-----|---|---------|
| 2 | UPDATED DIMENSIONS | 5/22/98 |
| 3 | CHANGE DRILL FROM #7 TO 7/32 & UPDATE DESCRIPTION | 6/25/03 |
| 4 | ADDED DPK FASTENERS | 6/21/05 |

NOTES:

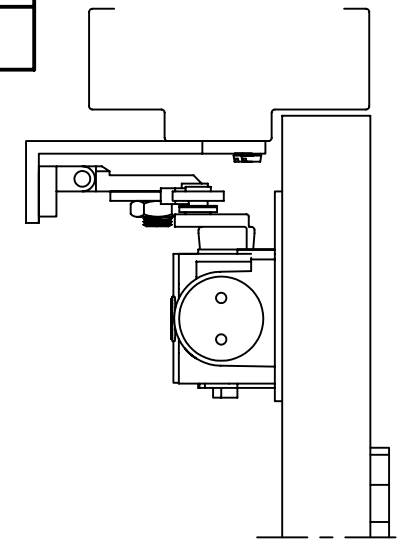
1. DO NOT SCALE DRAWING.
2. LEFT HAND DOOR SHOWN.
3. DIMENSIONS ARE IN INCHES/(MM).
4. CAUTION: SEX NUTS ARE REQUIRED FOR ATTACHMENT OF COMPONENTS TO UNREINFORCED DOORS AND TO WOOD OR PLASTIC FACED COMPOSITE TYPE FIRE DOORS, UNLESS AN ALTERNATIVE METHOD IS IDENTIFIED IN THE INDIVIDUAL DOOR MANUFACTURER'S LISTINGS.
5. MAXIMUM OPENING 180°.
6. SEE CATALOG FOR HOLD OPEN RANGE INFORMATION.

| ANGLE OF OPENING | DIM. "C" PLATE | DIM. "B" SOFFIT PLATE |
|------------------|----------------------|------------------------|
| TO 100° | $\frac{8}{(203)}$ | $\frac{10-7/8}{(276)}$ |
| OVER 100° | $\frac{3-5/8}{(92)}$ | $\frac{6-1/2}{(165)}$ |



- ③
- ④

- FOR 1/4-20 MACHINE SCREWS USE 7/32 DRILL
- FOR No. 14 WOOD SCREWS USE 5/32" DRILL
- DPK FASTENERS DRILL 1/8" PILOT HOLE
- FOR SEX NUTS USE 3/8" DRILL
- FOUR (4) HOLES IN DOOR FOR PLATE



DOOR CLOSER MODELS: 8916, 8956 FHP
 PARALLEL ARM INSTALLATION (PUSH SIDE MOUNT)
 WITH PLATE DP89

③



DORMA Architectural Hardware
 REAMSTOWN, PENNSYLVANIA 17567
 TEMPLATE No. 8900-16 ④