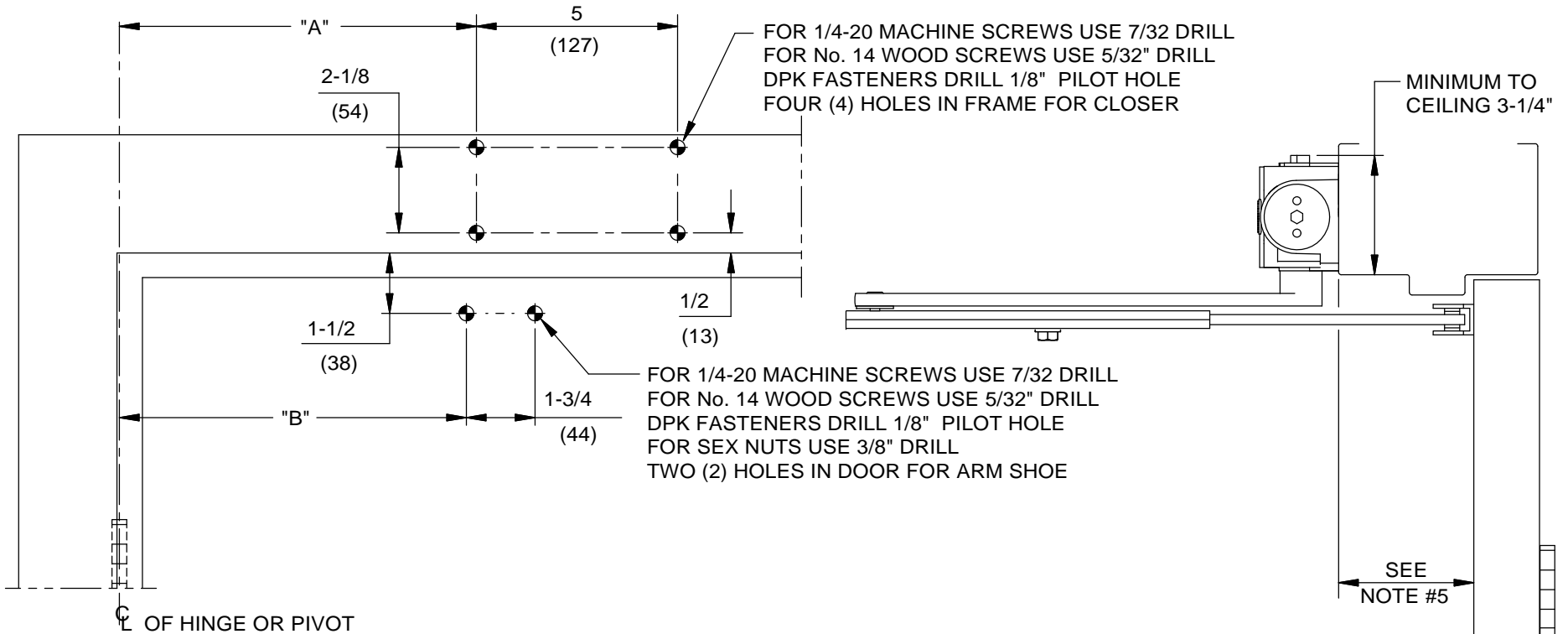


**NOTES:**

1. DO NOT SCALE DRAWING.
2. LEFT HAND DOOR SHOWN.
3. DIMENSIONS ARE IN INCHES/(MM).
4. CAUTION: SEX NUTS ARE REQUIRED FOR ATTACHMENT OF COMPONENTS TO UNREINFORCED DOORS AND TO WOOD OR PLASTIC FACED COMPOSITE TYPE FIRE DOORS, UNLESS AN ALTERNATIVE METHOD IS IDENTIFIED IN THE INDIVIDUAL DOOR MANUFACTURER'S LISTINGS.
5. SEE CATALOG FOR REVEAL INFORMATION.
6. MAXIMUM OPENING 180°.
7. SEE CATALOG FOR HOLD OPEN RANGE.
8. OPTIONAL DPK FASTENERS (DPK89) FOR STEEL DOOR & FRAME ONLY.

ANGLE OF OPENING	DIM. "A" CLOSER	DIM. "B" ARM SHOE
TO 100°	$\frac{12-7/8}{(327)}$	$\frac{12-5/8}{(321)}$
OVER 100°	$\frac{8-7/8}{(225)}$	$\frac{8-5/8}{(219)}$



DOOR CLOSER MODELS: 8916, 8956 AF89J, PH, PHP  
 TOP JAMB INSTALLATION (PUSH SIDE MOUNT)

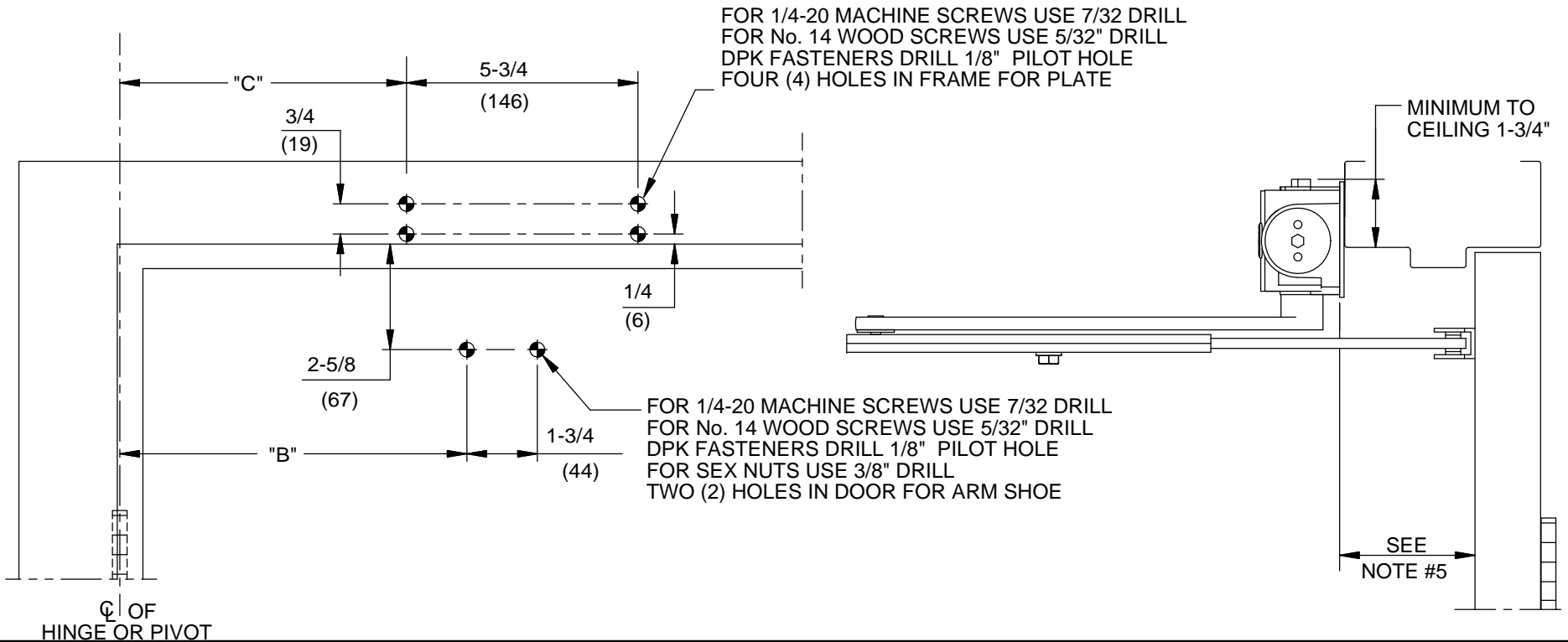


DORMA Architectural Hardware  
 Reamstown, PA 17567

NOTES:

1. DO NOT SCALE DRAWING.
2. LEFT HAND DOOR SHOWN.
3. DIMENSIONS ARE IN INCHES/(MM).
4. CAUTION: SEX NUTS ARE REQUIRED FOR ATTACHMENT OF COMPONENTS TO UNREINFORCED DOORS AND TO WOOD OR PLASTIC FACED COMPOSITE TYPE FIRE DOORS, UNLESS AN ALTERNATIVE METHOD IS IDENTIFIED IN THE INDIVIDUAL DOOR MANUFACTURER'S LISTINGS.
5. SEE CATALOG FOR REVEAL INFORMATION.
6. MAXIMUM OPENING 180°.
7. SEE CATALOG FOR HOLD OPEN RANGE.
8. OPTIONAL DPK FASTENERS (DPK89) FOR STEEL DOOR & FRAME ONLY.

ANGLE OF OPENING	DIM. "B" ARM SHOE	DIM. "C" PLATE
TO 100°	12-5/8 (321)	11-1/8 (283)
OVER 100°	8-5/8 (219)	7-1/8 (181)



DOOR CLOSER MODELS: 8916, 8956 AFJ, PHJ  
 TOP JAMB DROP INSTALLATION (PUSH SIDE MOUNT)  
 WITH PLATE BP89



DORMA Architectural Hardware  
 Reamstown, PA 17567