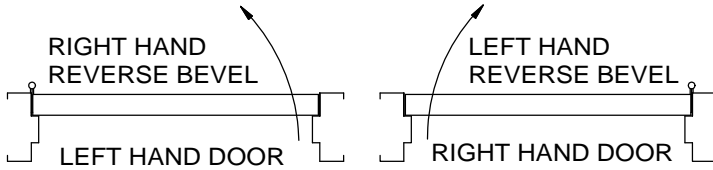


8916/8956 AF89 PFT PARALLEL ARM MOUNT WITH FLUSH TRANSOM AND ACCESSORY PLATE DP89



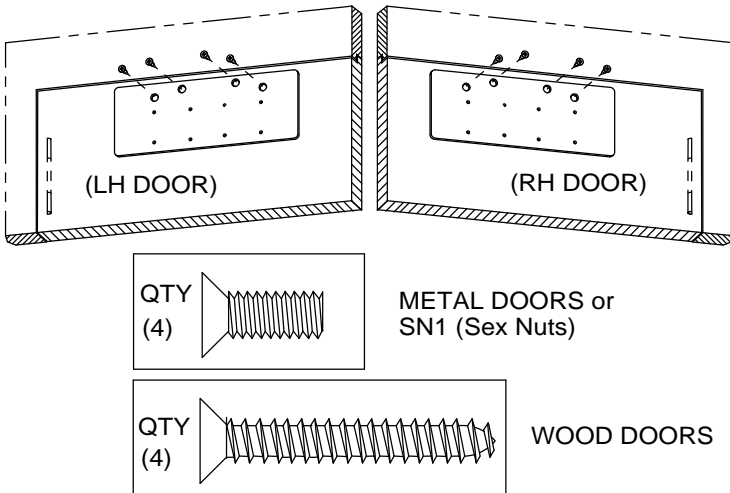
1 (REFERENCE UNIT CARTON FOR ACCESSORIES AND OPTIONS SUPPLIED)

Determine hand of door. Prepare door and frame according to template.

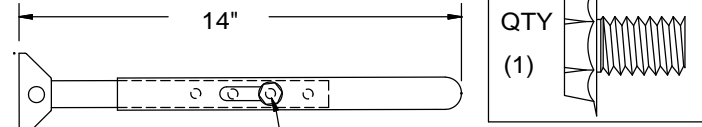
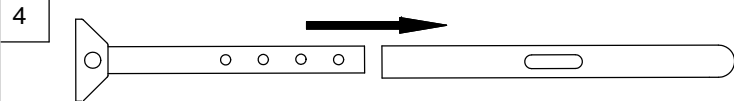
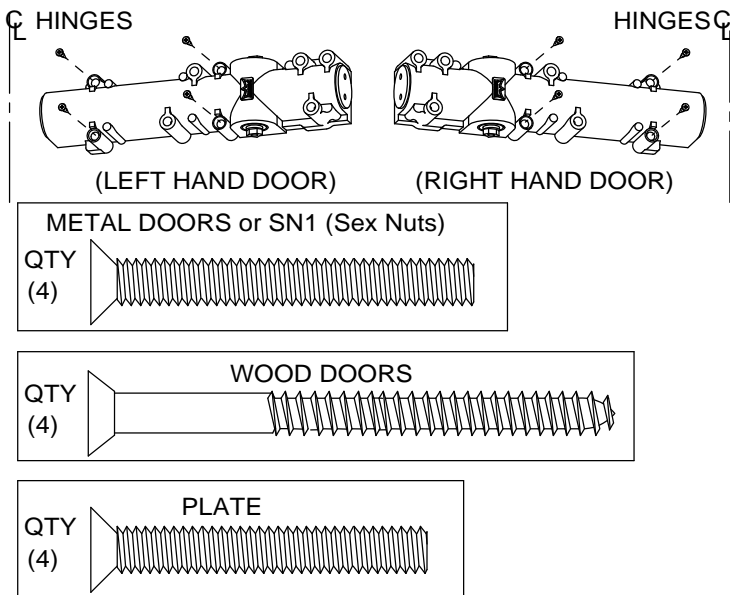


CAUTION: SEX NUTS ARE REQUIRED FOR ATTACHMENT OF COMPONENTS TO UNREINFORCED DOORS AND TO WOOD OR PLASTIC FACED COMPOSITE TYPE FIRE DOORS, UNLESS AN ALTERNATIVE METHOD IS IDENTIFIED IN THE INDIVIDUAL DOOR MANUFACTURER'S LISTINGS.

2 DP89 Plate applications only. Attach plate to door as shown.



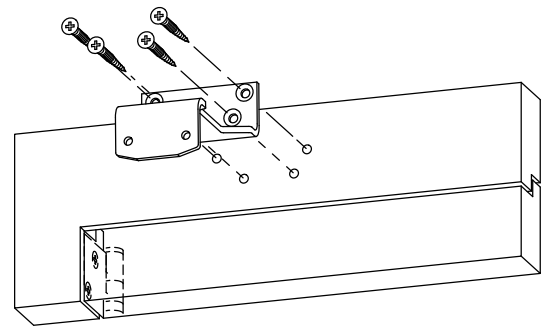
3 Attach closer to door or plate with spring adjustment facing hinges.



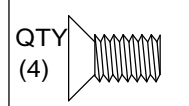
Insert bolt in this hole.

Slide bar into connecting arm.
Adjust overall length to 14".
Install connecting arm bolt, leaving bolt loose.

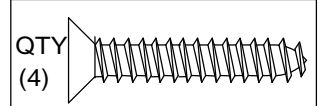
5 Install PFT bracket to transom.



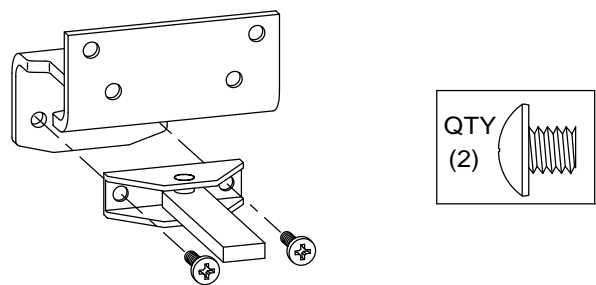
METAL FRAMES



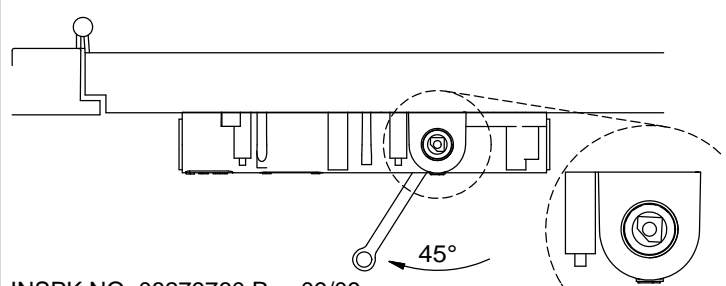
WOOD FRAMES



6 Install arm shoe to bracket.

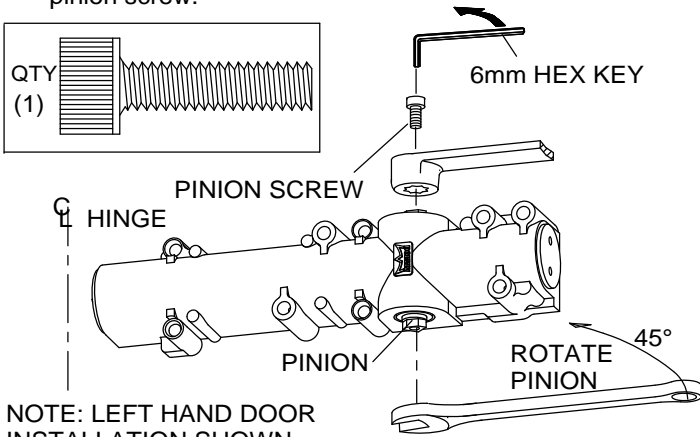


7 Install main arm. Place wrench on bottom pinion and rotate pinion 45° TOWARD HINGE edge of door.



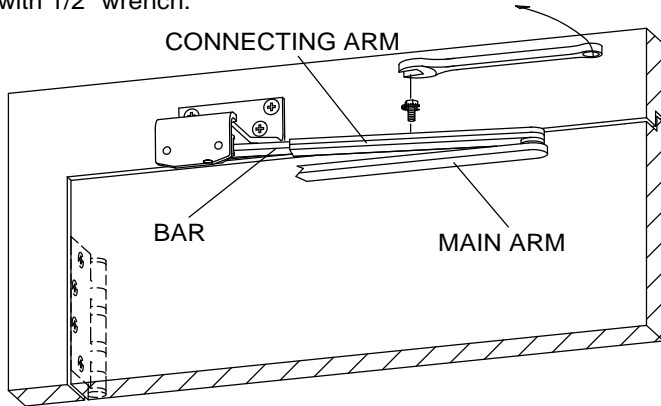
INSPK NO. 08279760 Rev.09/09

8 With main arm parallel to door, place main arm onto top pinion. Fasten securely with pinion screw.



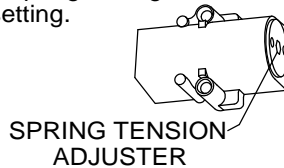
NOTE: LEFT HAND DOOR INSTALLATION SHOWN. RIGHT HAND IS A MIRROR IMAGE.

With door closed, adjust connecting arm length until main arm is parallel to door. MAIN ARM SHOULD NOT TOUCH DOOR). Tighten connecting arm bolt securely with 1/2" wrench.



9 Adjust spring tension, if required, using a 1/4" wrench. NOTE: 8916 supplied with size 4 spring setting. 8956 supplied with size 6 setting.

CRITICAL



8916 ONLY
BARRIER-FREE OPENINGS - Take an opening force reading from the pull on the door. If required, adjust the spring tension to meet the barrier-free requirement. Maximum number of turns counter clockwise=8. Maximum number of turns clockwise =14. Depending on opening conditions, a door adjusted to meet barrier-free forces may not have sufficient power to reliably close and latch the door.

NON-BARRIER-FREE OPENINGS - Adjust according to chart.

CLOSER TYPE	DOOR WIDTH		FULL TURNS OF SPRING ADJUSTER	SPRING SIZE
	EXTERIOR	INTERIOR		
8916	-	2'-6"	-12	3
	2'-6"	3'-0"	0	4
	3'-0"	3'-6"	+4	5
	3'-6"	4'-0"	+12	6
8956	3'-0"	3'-6"	-6	5
	3'-6"	4'-0"	0	6
	4'-0"	-	+6	6+

ULC LABELED UNITS ONLY

ADJUST SPRING TENSION ACCORDING TO THE FOLLOWING CHART.

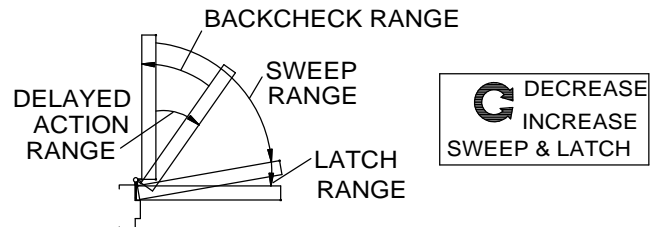
CLOSER TYPE	MAX. DOOR WEIGHT	SPRING SIZE	FULL TURNS OF SPRING ADJUSTING NUT
8916	100	3	-12
	125	4	0
	150	5	+4
	200	6	+12
8956	150	5	-6
	200	6	0
	250	6+	+6

10 Adjust sweep and latch valves.

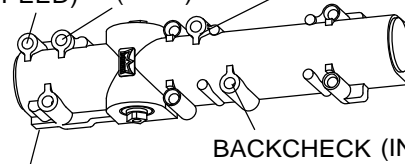
Closing time from 90° to 15° (sweep range) is generally adjusted to take a minimum of 3 seconds. Closing time from 15° to fully closed (latch range) should take a minimum of 1.5 seconds.

Optional delayed action offers additional closing speed control when extra time is required to pass through the door. All valve adjustments are made with a 3/32" hex key.

CAUTION: DO NOT REMOVE VALVES.

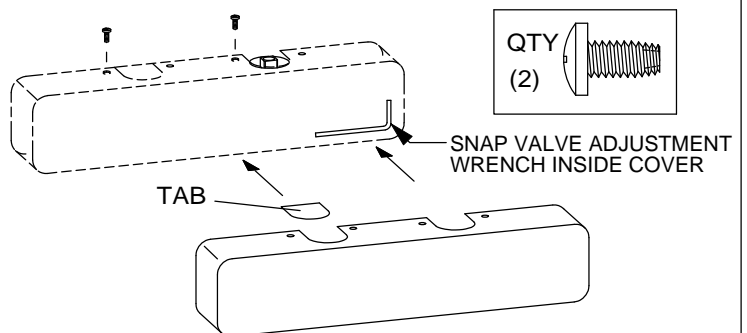


LATCH (SPEED) DELAYED ACTION (TIME) POSITIONING VALVE



INCREASE BACKCHECK OR DELAYED ACTION
DECREASE
NOTE: DELAYED ACTION IS AN OPTIONAL FEATURE.

11 Place tab in cover slot opposite main arm. Place cover over closer and fasten securely with screws provided.



NOTE: LEFT HAND INSTALLATION SHOWN. RIGHT HAND IS A MIRROR IMAGE.