

TS 71
—



Door Closer

THE INEXPENSIVE SOLUTION FOR STANDARD DOORS

With the TS 71, DORMA has developed a door closer that rounds off its ClassicLine series perfectly. The ease and speed with which it can be fixed, the fact that its spring strength can be so easily adapted to the door

size – by simply turning round the hinge plate – and its competitive price should make it the ideal choice for your application.

Certified to ISO 9001

Plus points

For the trade

- Increased stocking flexibility thanks to use of the standard ClassicLine series arm.
- Complements the ClassicLine series as a competitive model for standard doors.

For the installer/fabricator

- Non-handed design.
- Easy and quick to fix.

For the architect/specifier

- Competitive and reliable.
- Compact construction combined with classic design.

For the user

- Constant closing action virtually unaffected by temperature fluctuations.
- Optimum closing speed adjustment with two regulating valves.
- Reliable closing with adjustable latching action.

Standard and optional functions

- 1 Closing speed adjustable in the range 180° – 15°.
- 2 Closing speed adjustable in the range 15° – 0°.
- 3 Latching action.
- 4 Hold-open range for model with hold-open arm (optional extra).

Closing force setting

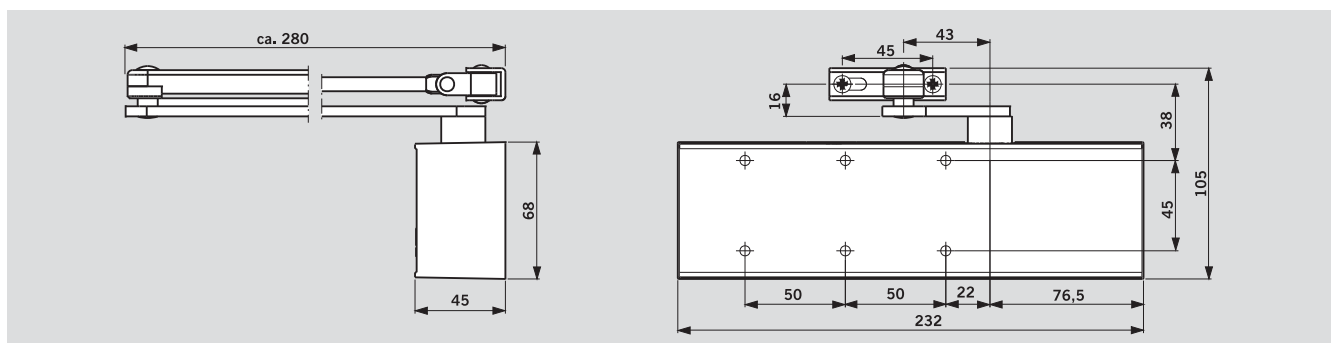
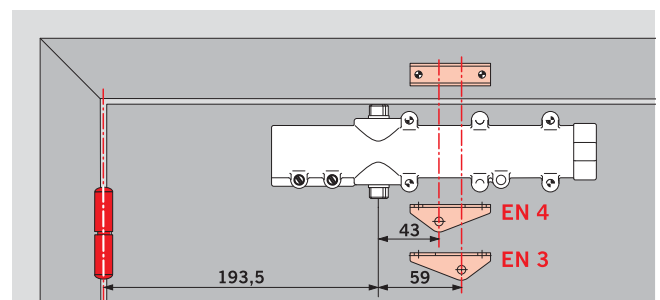
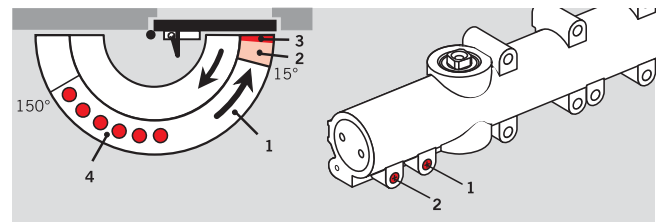
Door width	Setting
≤ 900	EN 3
≤ 1100	EN 4

With the TS 71, the spring strength (size setting) of the closer is adjusted to the door width concerned by merely turning round the hinge plate.

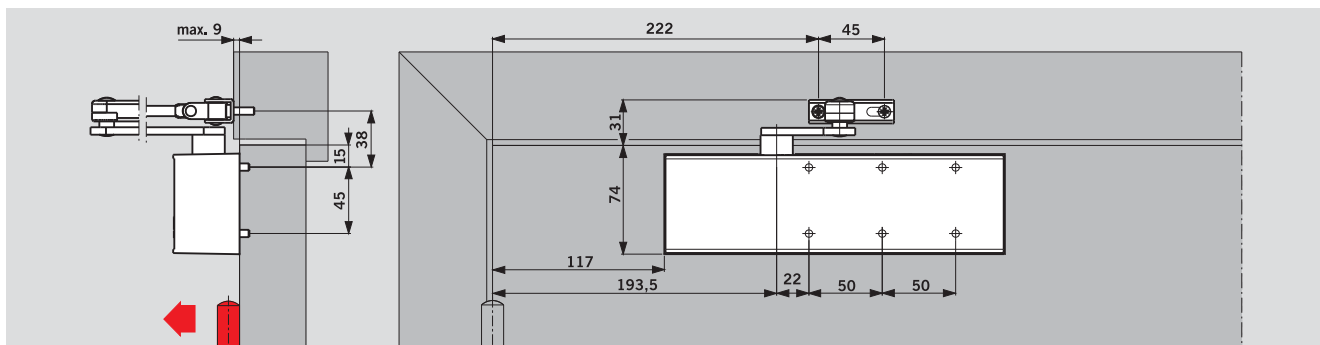
Data and features		TS 71
Spring strength (adjustable by turning round the hinge plate)	Size	EN 3/4
Standard doors	≤ 1100 mm ¹⁾	●
External doors, outward opening		–
Fire doors		●
Non-handed		●
Arm type	Standard	●
	Slide channel	–
Closing speed adjustable at 2 separate valves	180° – 15°	●
	15° – 0°	●
Latching action adjustable (by arm)		●
Backcheck		–
Delayed action		–
Hold-open		○
Weight in kg		1.2
Dimensions in mm	Length	232
	Overall depth	45
	Height	68
Door closer tested and approved to EN 1154		●
CE mark for construction products		●

● Yes – No ○ Option

¹⁾ With parallel-arm fixing, the closing force is approx. 20 Nm (for doors up to 950 mm)

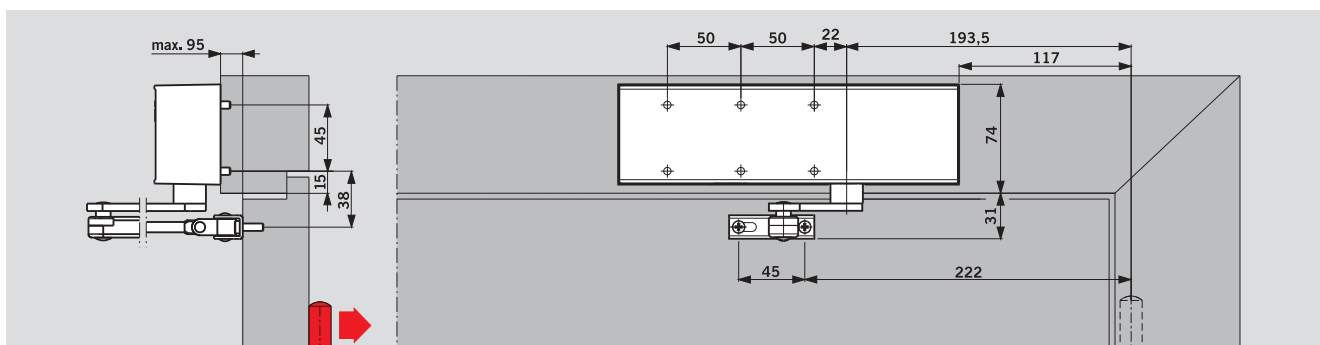


Door leaf fixing, pull side



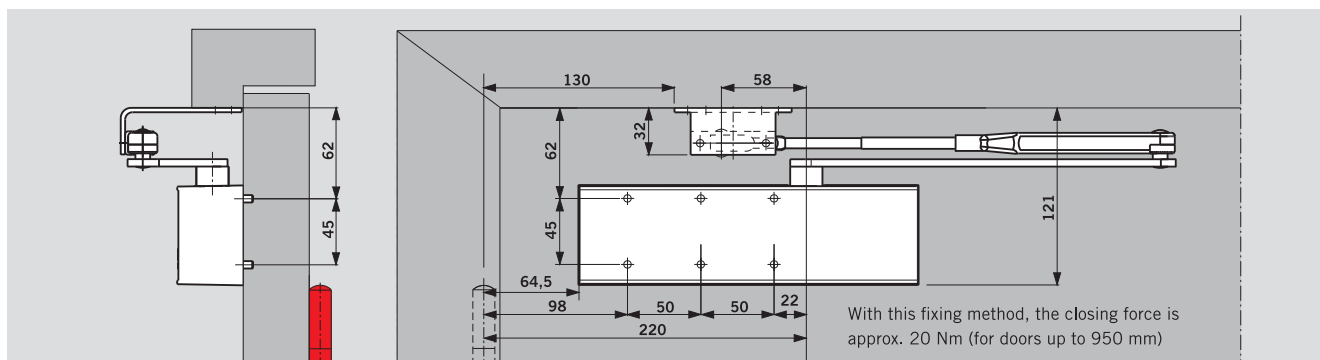
Example refers to left-hand [ISO 6] door; mirror image applies to right-hand [ISO 5] door

Transom fixing (overhead frame installation), push side



Example refers to left-hand [ISO 6] door; mirror image applies to right-hand [ISO 5] door

Parallel-arm fixing, push side



Example refers to left-hand [ISO 6] door; mirror image applies to right-hand [ISO 5] door. Parallel-arm bracket (accessory) necessary

Standard equipment and accessories

Closer body	Standard arm	Hold-open arm	Mounting backplate	Parallel-arm bracket	xx	Colour
					01	Silver
Size EN 3/4 222121xx	<input type="checkbox"/> 220023xx	<input type="checkbox"/> 220025xx	220021xx	280066xx	03	Dark brown
	<input type="checkbox"/>	<input type="checkbox"/>	<input type="checkbox"/>	<input type="checkbox"/>	10	White (sim. to RAL 9010)
	<input checked="" type="checkbox"/>	<input checked="" type="checkbox"/>	<input type="checkbox"/>	<input type="checkbox"/>	11	White (sim. to RAL 9016)
					09	Special colour
					<input checked="" type="checkbox"/>	Closer separate
					<input type="checkbox"/>	Arm assembly separate
					<input type="checkbox"/>	Accessory

Specification text

Rack-and-pinion door closer with adjustable closing force, size EN 3 or 4, closing speed adjustable in two independent ranges, with adjustable latching action. Non-handed. Tested and approved to EN 1154.

- Model**
- with standard arm
 - with hold-open arm
- Accessories**
- Mounting backplate
 - Fixing bracket for parallel-arm assembly

- Colour**
- Silver
 - Dark brown
 - White (sim. to RAL 9010)
 - White (sim. to RAL 9016)
 - Special colour ____ (sim. to RAL ____)

Make DORMA TS 71



DORMA India Private Limited
14 Pattullous Road
CHENNAI - 600 002
INDIA
Phone +91 44 2855 9192
Fax +91 44 2858 5096
www.dorma.com/in