

A close-up, angled view of a silver-colored metal door closer. The device has a long, thin arm extending from a larger, rectangular body. The body has a textured surface and a circular adjustment knob. The arm is attached to the body with a pin and nut mechanism. The background is a plain, light gray surface.

TS 90 IMPULSE EN 3/4

—
Cam-action door closer

HIGH-TECH FOR THE GLOBAL MARKET

The TS 90 Impulse combines technical superiority with outstanding value, and unites advanced design with convenient functionality – all on the basis of its heart-shaped cam.

With its installation versatility and inherent functional reliability, it is ideal for virtually any application.

TS 90 Impulse:
Certified to ISO 9001

Benefits

For the trade

- Unique DORMA cam action technology for the entry-level segment, compliant with EN 1154.
- Complete package for easy stocking.
- Sets new standards to open up new markets.

For the installer/fabricator

- Easy to fix without mounting backplate.
- Non-handed.
- Four installation arrangements with one model.
- Proven DORMA quality for long service life.

For the architect/specifier

- Proven technology of the heart-shaped cam.
- Cost-efficient slide channel door closer for interior doors.

For the user

- Convenient, low-resistance opening with fully controlled closing.
- Two regulating valves for precise adjustment of closing speed.
- Available with hold-open and cushioned limit stay options.

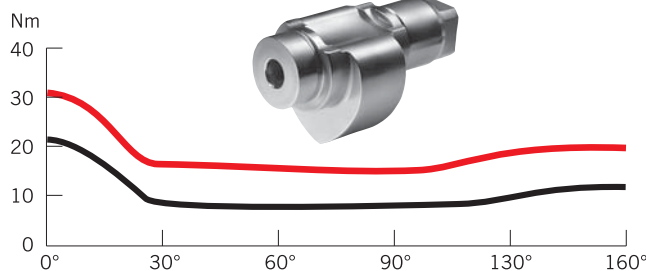
Data and features		TS 90 Impulse
Closing force	Size	EN 3/4
Standard doors ¹⁾	≤ 1100 mm	●
External doors, outward opening ¹⁾		●
Fire and smoke check doors ¹⁾		●
Non-handed		●
Slide channel		●
Two independent valves for closing speed adjustment		●
Cushioned limit stay (mechanical)		○
Delayed action		–
Hold-open		○
Weight in kg		1.7
Dimensions in mm	Length	246
	Overall depth	46
	Height	57
Door closer compliant with EN 1154		●
CE-mark for construction products		●

● yes – no ○ option

¹⁾ In the case of particularly heavy doors and doors that have to close against wind pressure, we recommend the DORMA TS 93.



Force profiles



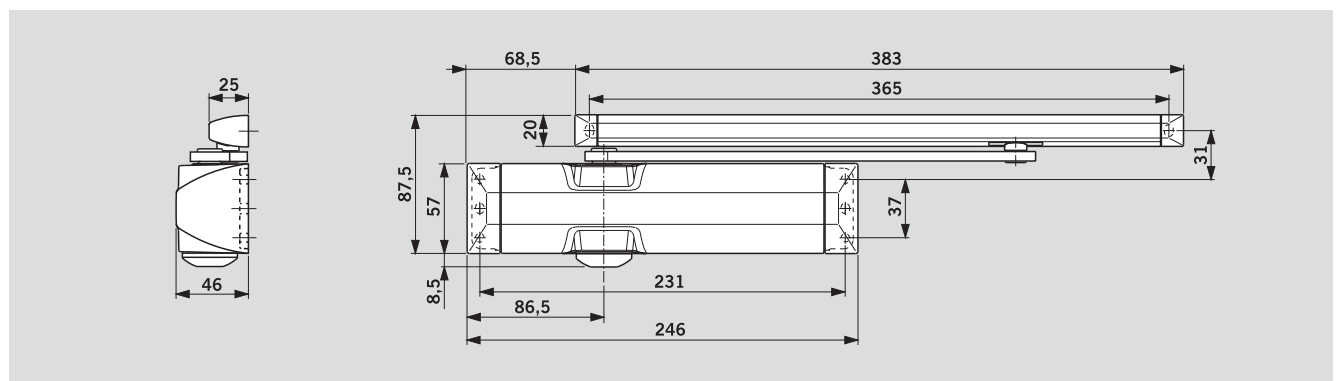
The heart-shaped cam and the linear drive mechanism of the TS 90 Impulse ensure that the resistance encountered decreases almost instantly with the door opening action – so even children, the elderly and people with disabilities have no problem in opening the door. User-friendly and reliable closing

is also ensured by the delayed increase in the actuating torque at the “latching” end of the sweep.

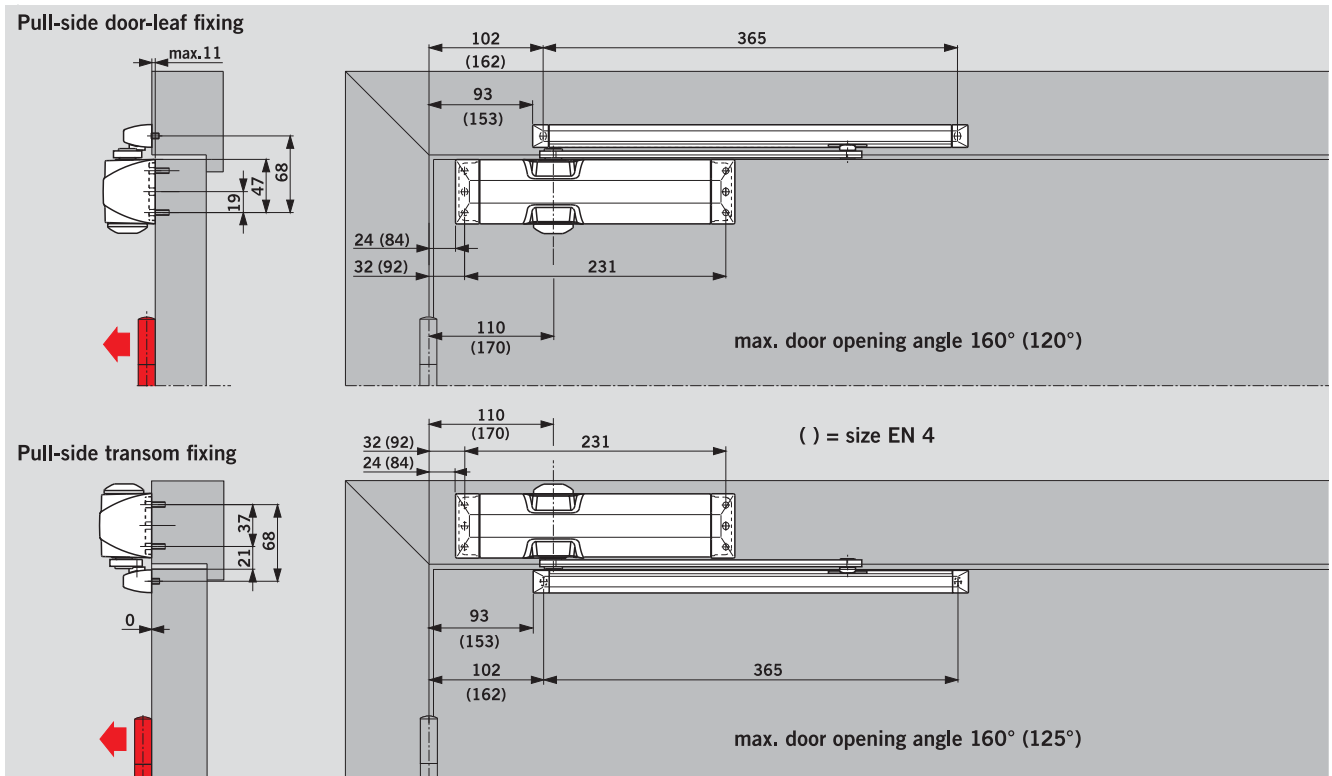
Force profile

TS 90 Impulse
(Spring strength: EN 3)

- Opening force
- Closing force

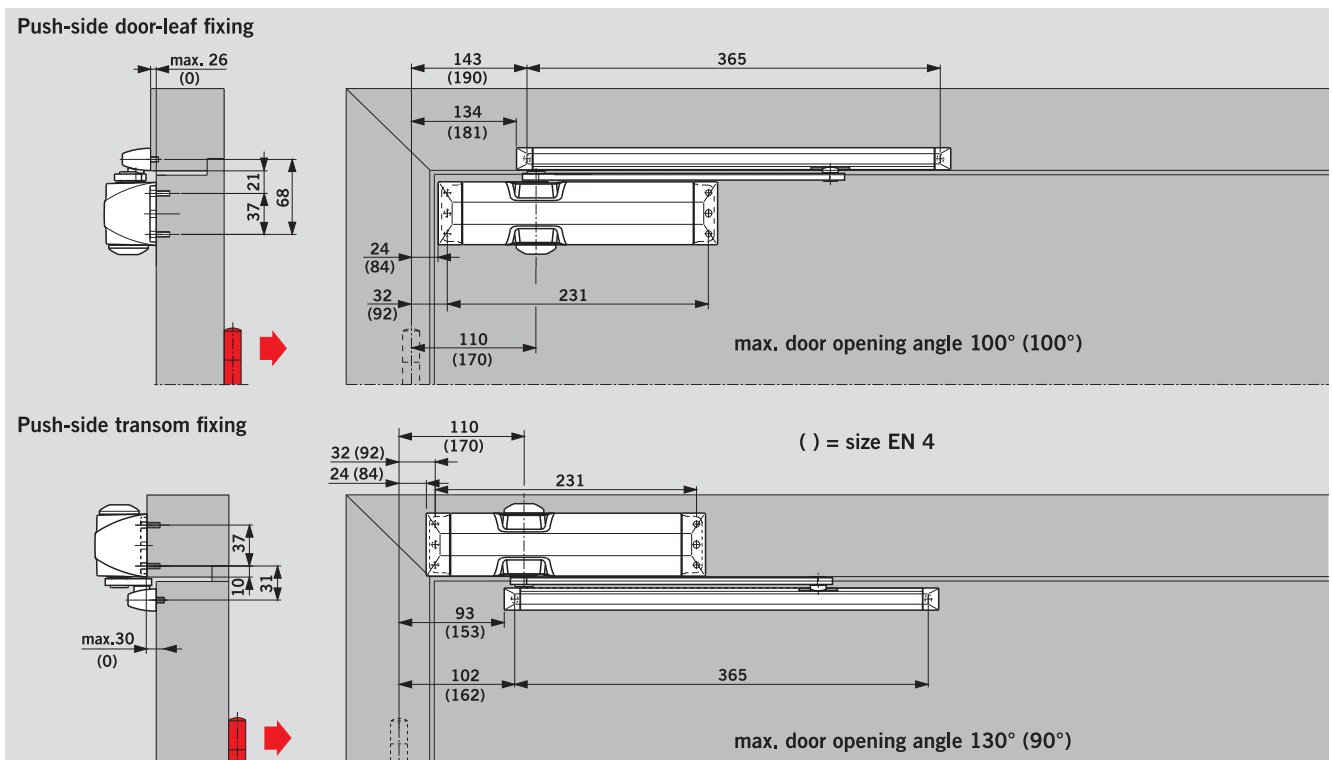


PULL-SIDE FIXING (example: LH/ISO 6 door; mirror image for RH/ISO 5 door)



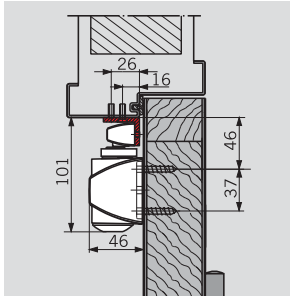
Depending on the structural conditions, the door opening angle is likely to be limited. It is recommended to install the cushioned limit stay or position a door stop at this point. **A door stop must be installed in the case of fire and smoke check doors.**

PUSH-SIDE FIXING (example: RH/ISO 5 door; mirror image for LH/ISO 6 door)



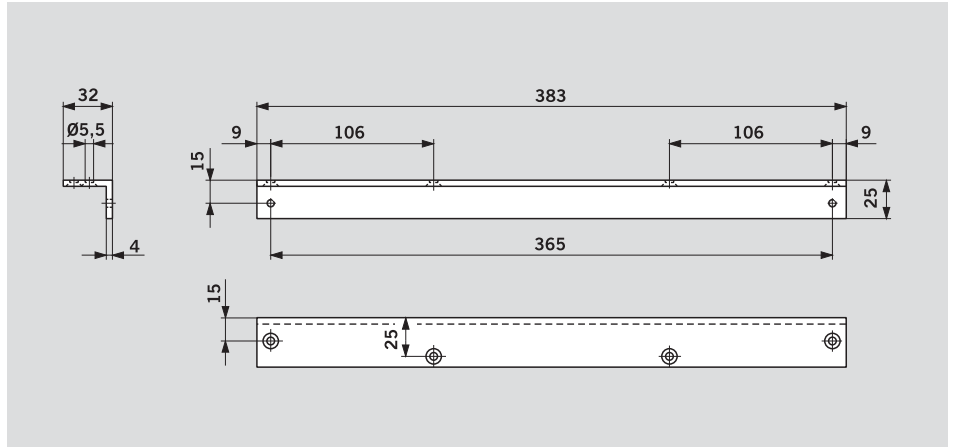
Depending on the structural conditions, the door opening angle is likely to be limited. It is recommended to install the cushioned limit stay or position a door stop at this point.

ACCESSORIES

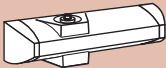









Angle bracket

For push-side fixing of the slide channel to door frames with a deep reveal.



STANDARD EQUIPMENT AND ACCESSORIES

	Cam-action door closer TS 90 Impulse	Angle bracket	Cushioned limit stay	Mechanical hold-open device
				
	Size EN 3/4	100030xx	10002000	10002100
Slide channel				
	102004xx	△	△	△

Order No.:

■ = Closer body with
slide channel, complete
△ = Accessory

Colour

silver 01
white (sim. to RAL 9016) 11

xx

SPECIFICATION TEXT

Universal cam-action door closer with linear drive and rapidly decreasing opening torque; closing speed adjustable in two independent ranges.

Closing force = Size EN 3/4.

Non-handed.

Compliant with EN 1154.

Accessories

- Angle bracket
- Hold-open device
- Cushioned limit stay

Colour

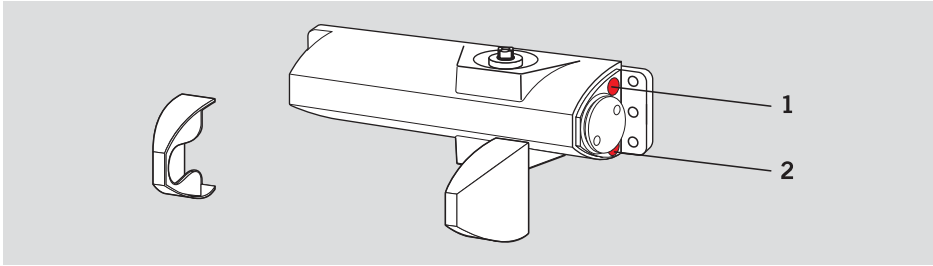
- silver
- white (sim. to RAL 9016)

Make

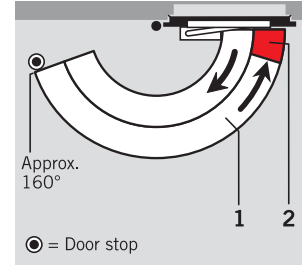
DORMA TS 90 Impulse EN 3/4

STANDARD AND OPTIONAL FUNCTIONS

Closing speed

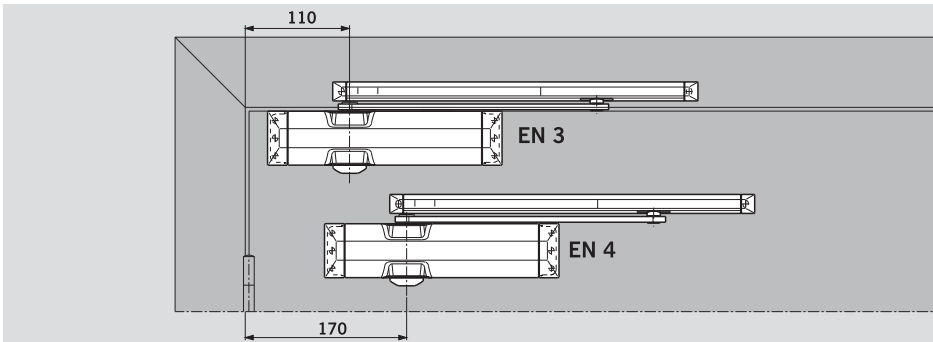


The closing speed of the TS 90 Impulse is adjustable in two independent ranges at the valves indicated.



- 1 Infinitely variable closing speed in the range 160° – 15°
- 2 Infinitely variable closing speed in the range 15° – 0°

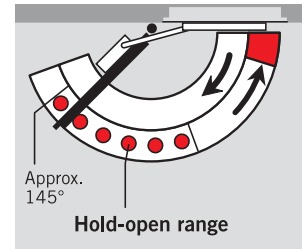
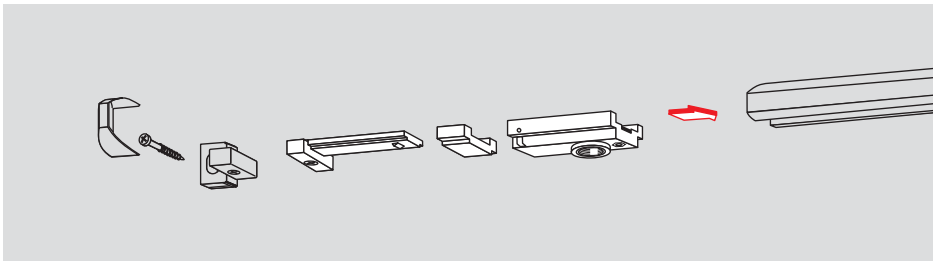
Closing force settings EN 3/EN 4



Door width	size setting
≤ 950 mm	EN 3
≤ 1100 mm	EN 4

The TS 90 Impulse size setting is selected for the door width by the closer.

Mechanical hold-open device

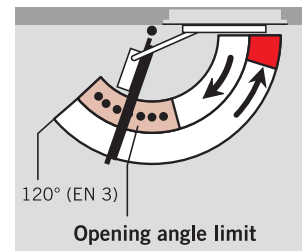
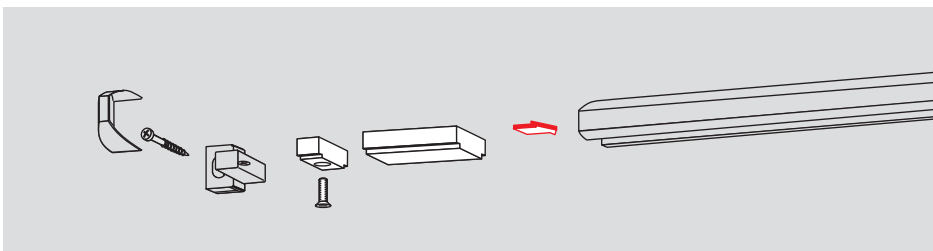


The hold-open device enables doors to be precisely held without any fall-back up to an opening angle of approx. 145°.

The hold-open device is suitable for both LH and RH doors and is designed for retrofitting to the slide channel.

Not for fire and smoke doors.

Cushioned limit stay



Cushioned limit stay for retrofitting by insertion in the slide channel. Adjustable between 80° and max. 120°.

Use of the cushioned limit stay helps to prevent a normally opened door from colliding with adjacent walls.

The cushioned limit stay is not an overload protection device and in many cases is no substitute for a door stop. Only for the use of TS 90 Impulse size EN 3.



DORMA India Private Limited
14 Pattullous Road
CHENNAI - 600 002
INDIA
Phone +91 44 2855 9192
Fax +91 44 2858 5096
www.dorma.com/in