

Test Certificate No. 12000779.10-02

Contracting Party

Dorma GmbH & Co. KG
Postfach 4009
D-58247 Ennepetal

Assignment

Testing of controlled door closing devices (door closer) in accordance with DIN EN 1154: 1997-05 (Ref. No. EN 1154: 1996 D). The tests are to be including the additional requirements according to annex A of DIN EN 1154.

Description of Samples

Concealed door closer mounted with sliding arm in accordance with illustration C.1.2 of DIN EN 1154.
door closer „Dorma ITS 96 EN 2-4“,

Description of the Test and Test Results

See Test Report No. 12000779.10-01.

Evaluation of the Test Results

The door closer „Dorma ITS 96 EN 2-4“ fulfils the requirements of the DIN EN 1154.

Door leaf fixing corresponding with appendix 1*) and 2.

It is classified as follows in accordance with sec. 4 of DIN EN 1154:

| | | | | | |
|---|---|--------|------|---|-------|
| 3 | 8 | 4 2 | 1**) | 1 | 4***) |
|---|---|--------|------|---|-------|

*) A = 175 mm and B = 42 mm

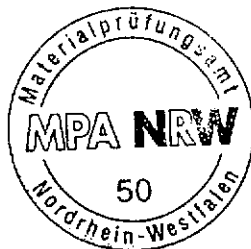
**) Instead of DIN EN 1634-1 the door closer was tested in accordance with the national norm DIN 4102-5.
In other member countries of the EU, other substantiation procedures can be required.
The door closer was tested with a specific T 30-1 fire door (see Test Report 3176/1734 - Ap - of the „Materialprüfanstalt für das Bauwesen- IBMB , Braunschweig“)
Each mounting in other doors must be tested additionally.

***) An evaluation of the appearance of the test piece was not conducted, see 6.2 of the DIN EN 1670: 1998-12.

Dortmund, November 23rd, 2000



Dipl.-Ing. H. Jansen
Regierungsbauamtsrat

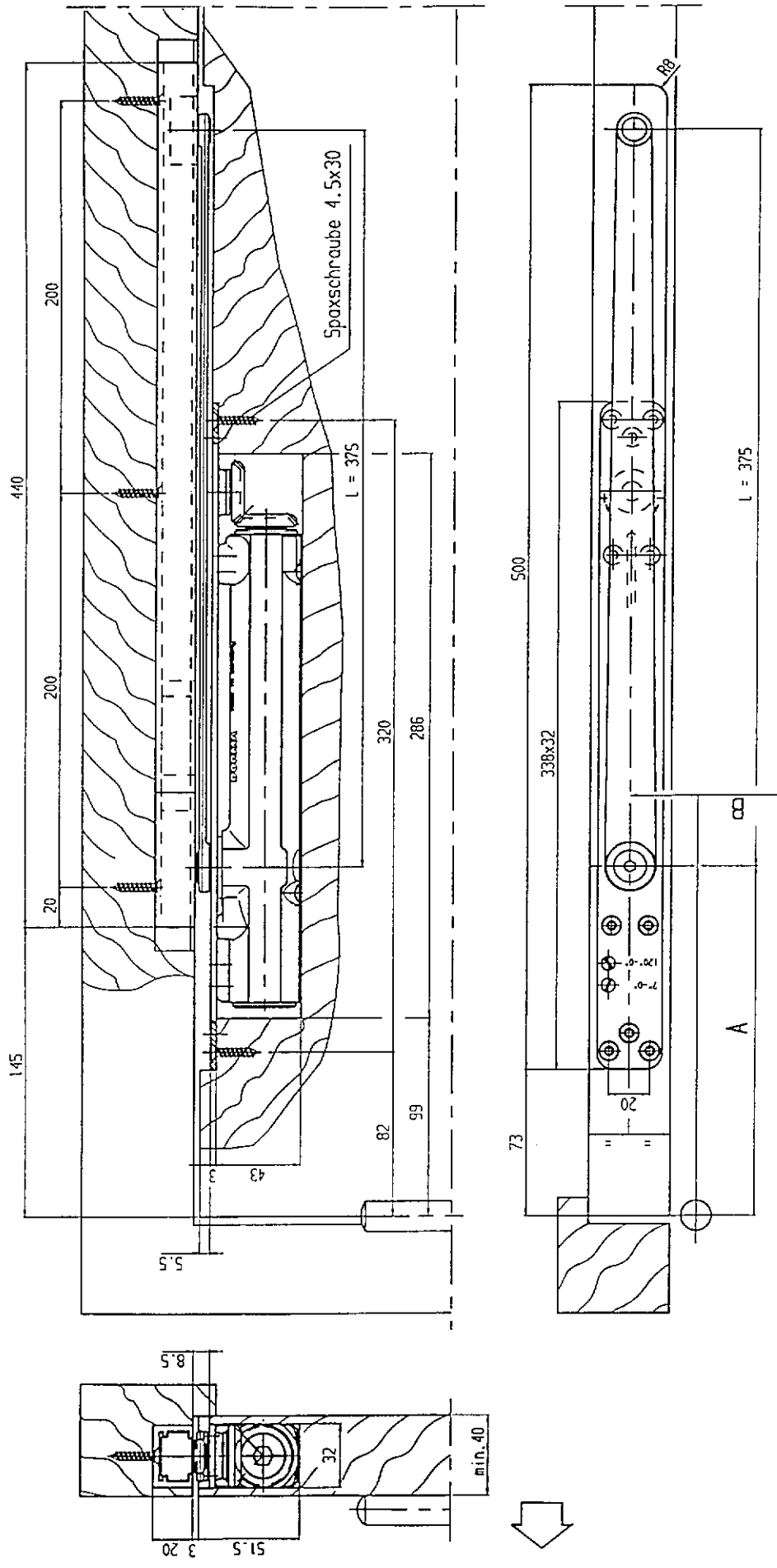


This is the English version of „Prüfzeugnis Nr. 12000779.10-02“.

The validity of this certificate expires on February 1st, 2006.

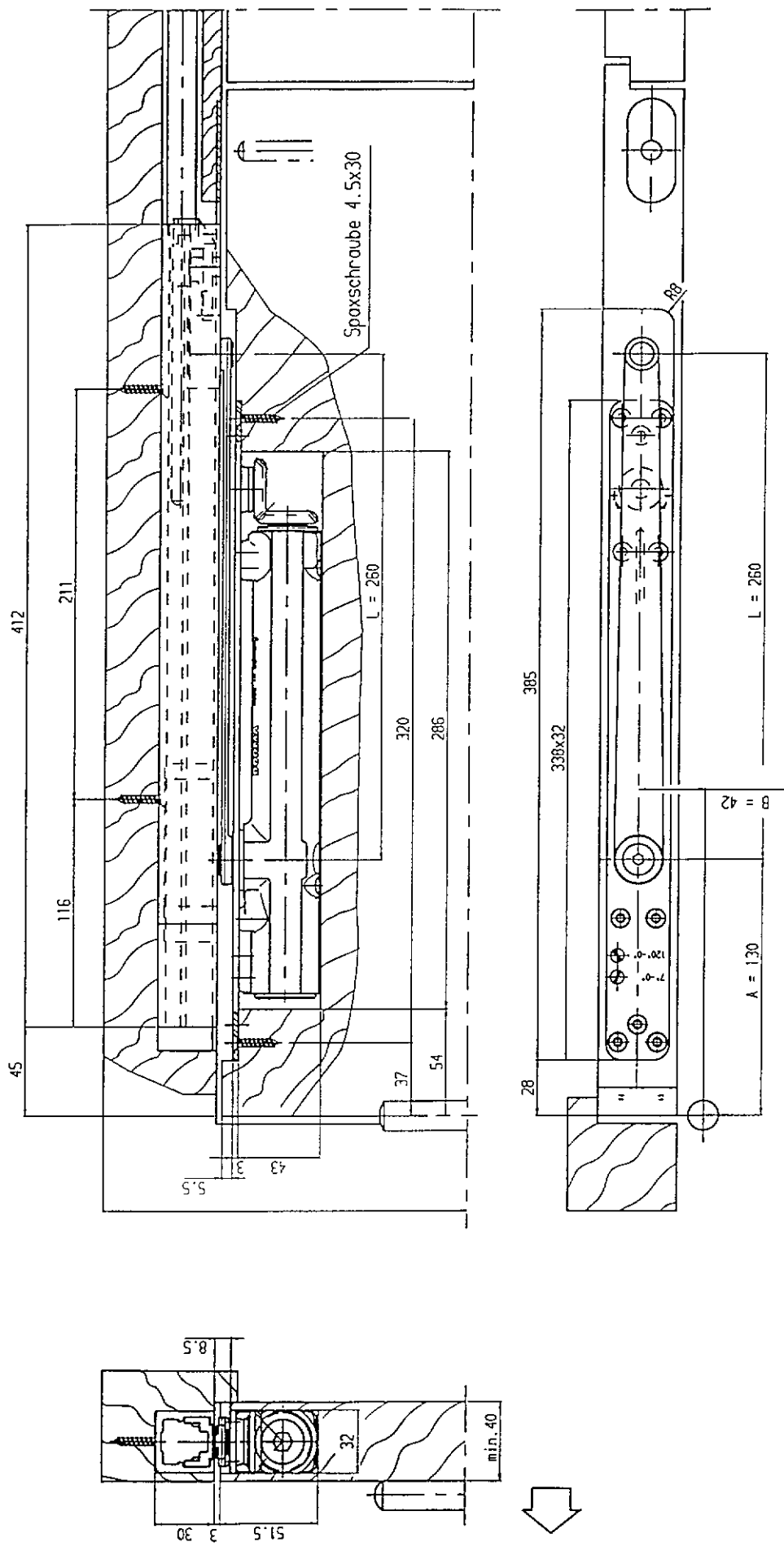
The results of the tests are exclusively in relation to the test piece indicated above. Test certificates may without the consent of the MPA NRW only be published or reproduced in accordance with their unaltered form and content. The abbreviated reproduction of a test certificate is only permissible with the consent of the MPA NRW.

This test certificate comprises 1 page and 3 appendices.



Montagezeichnung, 1-flg. Holztür

ITS96 EN 2-4 mit Schmiedehebel $l = 375$ mm



Montagezeichnung, 2-flg. Holztür

ITS96 EN 2-4 mit Schmiedehebel $l = 260\text{mm}$
und Standflügelschiene 540mm

