

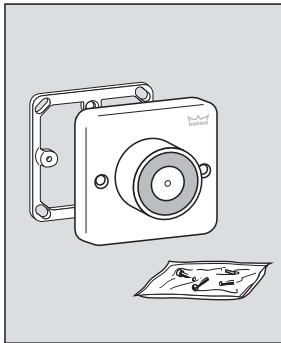
WN 054371 45632  
11/11

**EM 500 G 24 V AC/DC**  
**Z-6.5 xxxx**

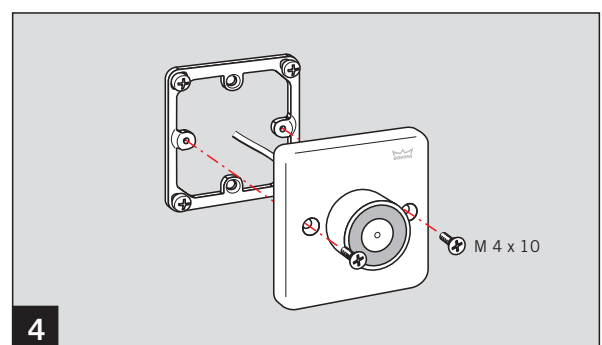
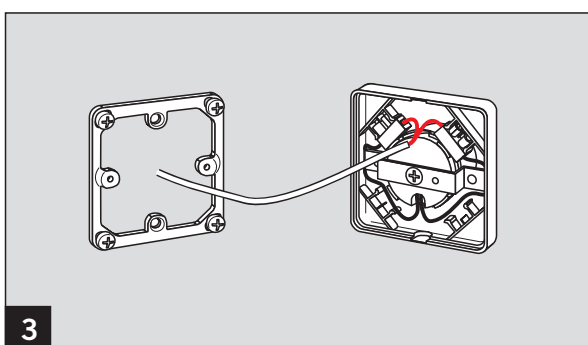
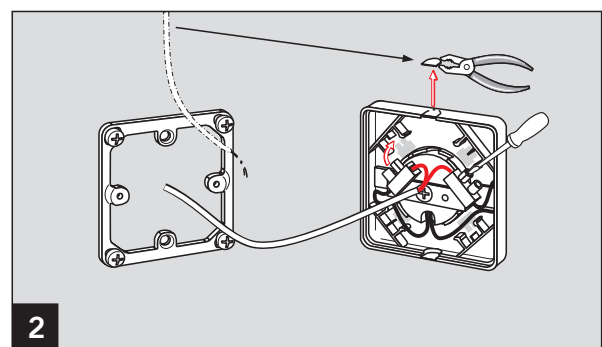
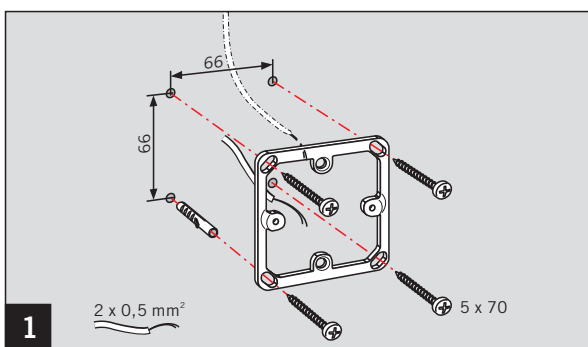
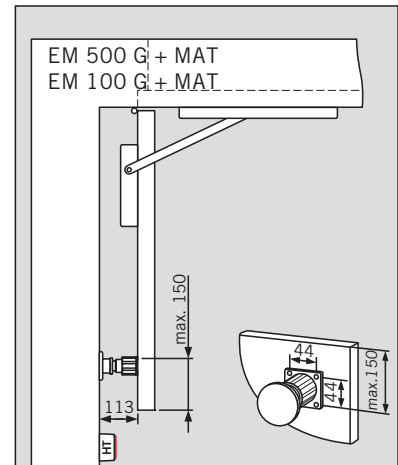
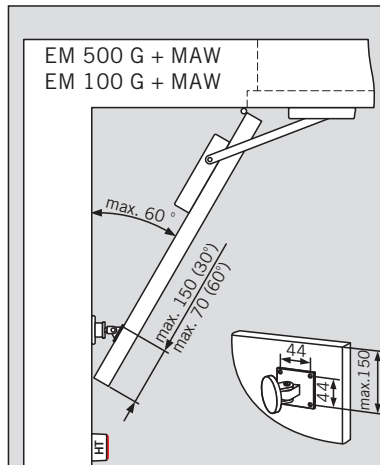
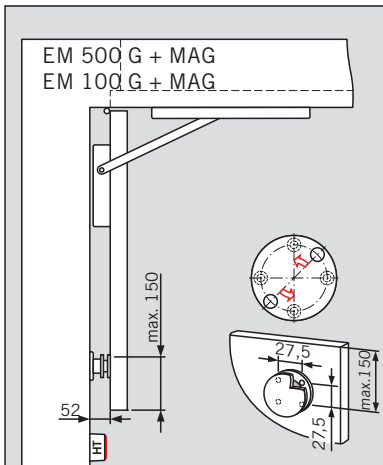
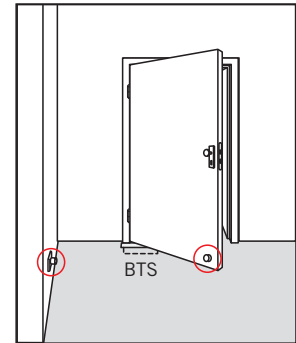
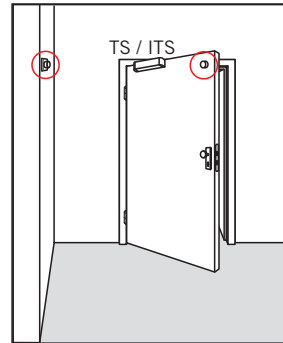
**EM 100 G 24 V AC/DC**

<b>CE</b>	DORMA GmbH + Co. KG Postfach 4009 58 247 Ennepetal		11				
	0432 - CPD-0057	EN 1155:1997+A1:2002	3	5	3	1	3
Dangerous substances: None							

**EM 500 G 48 V AC/DC**



- MAG**  
Art.Nr. 69020110
- MAW**  
Art.Nr. 69020111
- MAT**  
Art.Nr. 69020112
- HT-UP**  
Art.Nr. 35901531
- HT-AP**  
Art.Nr. 35901532

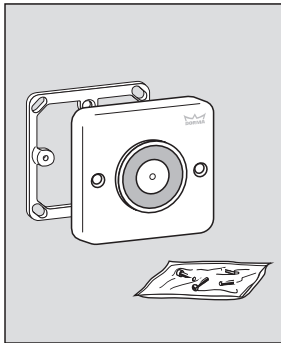


**EM 500 U 24 V AC/DC**  
**Z-6.5 xxxx**

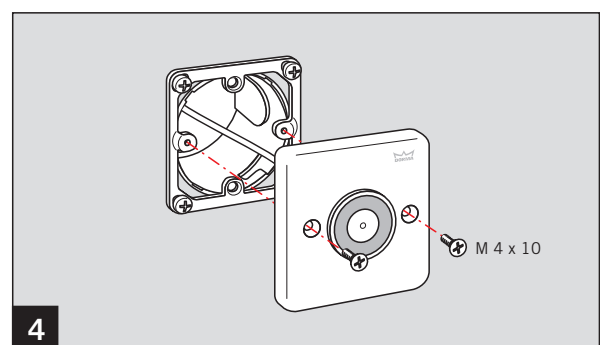
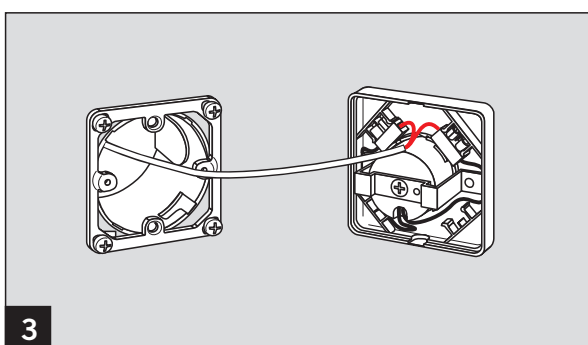
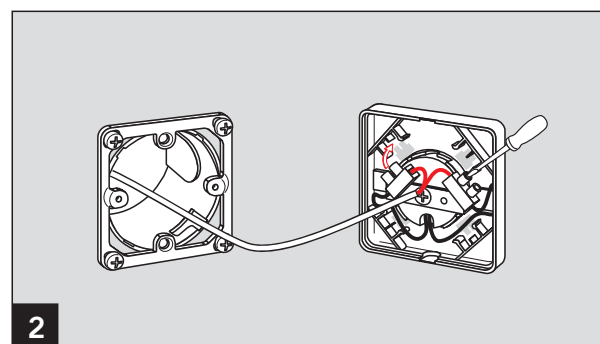
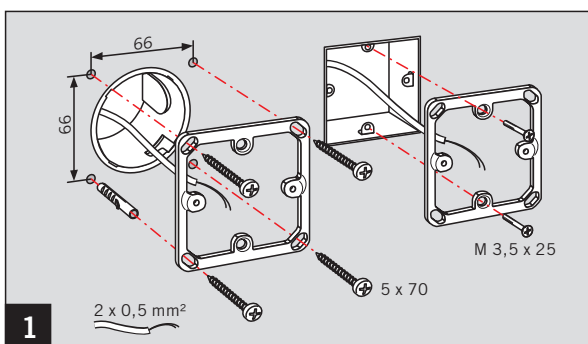
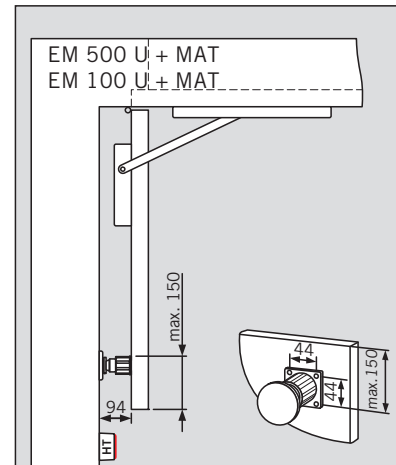
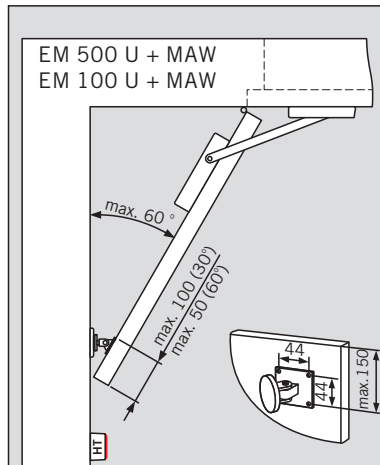
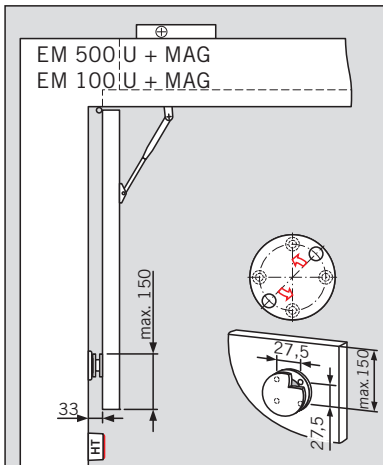
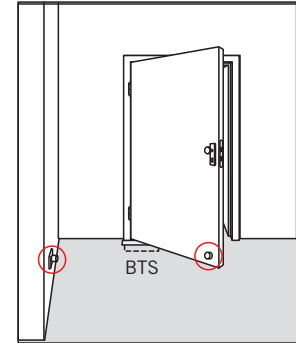
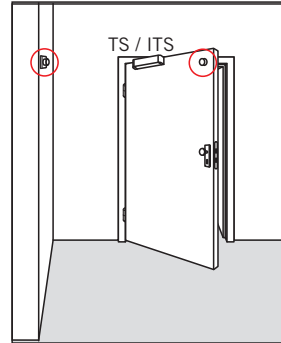
**EM 100 U 24 V AC/DC**

<b>CE</b>	<b>DORMA GmbH + Co. KG</b> Postfach 4009 58 247 Ennepetal		11				
	0432 - CPD-0057	EN 1155:1997+A1:2002	3	5	3	1	3
Dangerous substances: None							

**EM 500 U 48 V AC/DC**



- MAG**  
Art.Nr. 69020110
- MAW**  
Art.Nr. 69020111
- MAT**  
Art.Nr. 69020112
- HT-UP**  
Art.Nr. 35901531
- HT-AP**  
Art.Nr. 35901532

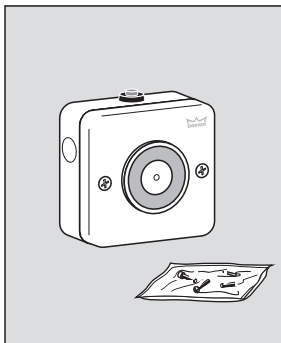




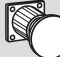


**EM 500 A 24 V AC/DC**  
**Z-6.5 xxxx**

**EM 100 A 24 V AC/DC**

<b>CE</b>	<b>DORMA GmbH + Co. KG</b> Postfach 4009 58 247 Ennepetal		11				
	0432 - CPD-0057	EN 1155:1997+A1:2002	3	5	3	1	3
Dangerous substances: None							

**EM 500 A 48 V AC/DC**



-  **MAG**  
Art.Nr. 69020110
-  **MAW**  
Art.Nr. 69020111
-  **MAT**  
Art.Nr. 69020112
-  **HT-UP**  
Art.Nr. 35901531
-  **HT-AP**  
Art.Nr. 35901532

