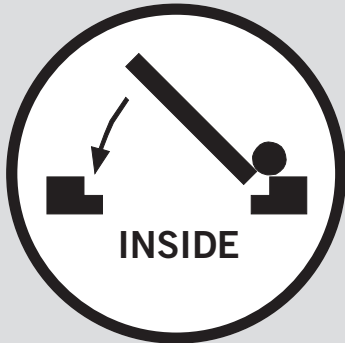


LIGHT MANUAL PHM STANDARD / EXTERNAL

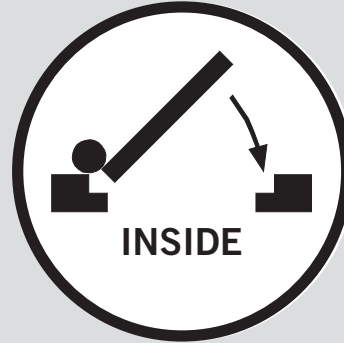
L



PHM STANDARD LEFT
PHM EXTERNAL LEFT

1a

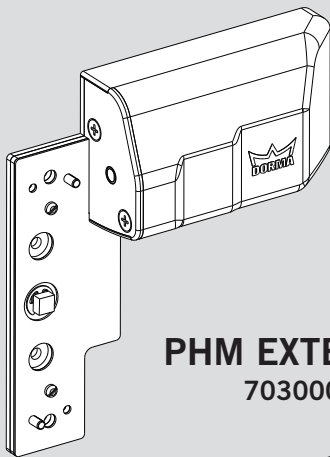
R



PHM STANDARD RIGHT
PHM EXTERNAL RIGHT

1b

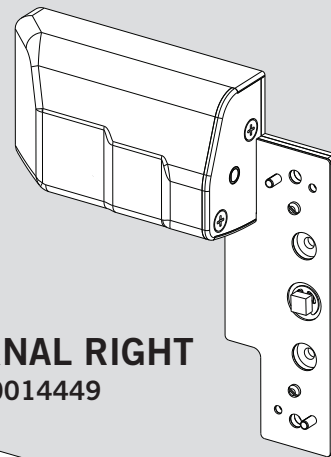
PHM STANDARD LEFT
7030000014446



PHM EXTERNAL LEFT
7030000014448

2a

PHM STANDARD RIGHT
7030000014447



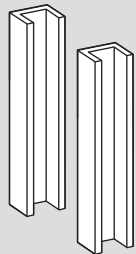
PHM EXTERNAL RIGHT
7030000014449

2b

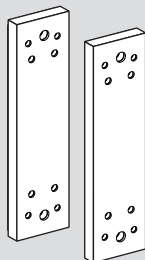
LIGHT MANUAL PHM STANDARD / EXTERNAL

PHM ACCESSORY KIT

7030000014480



1 x 848mm
1 x 1038mm

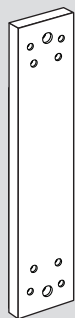
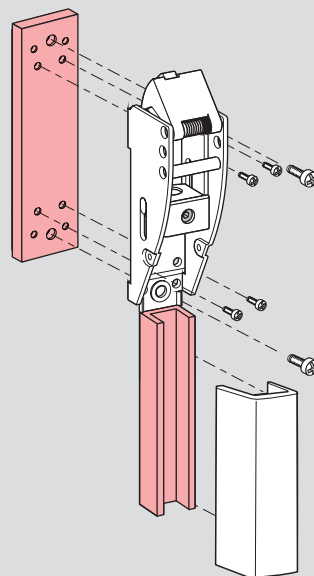


2 x 6mm Spacer



8 x M4

3a



DISTANCE KIT PHA

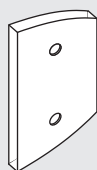
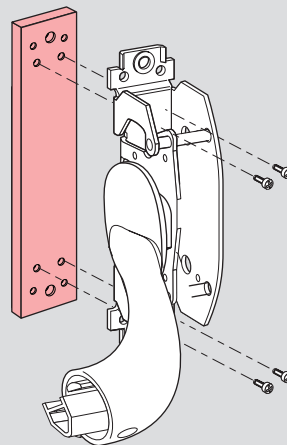
7030000014515

1 x 6mm Spacer



4 x M4

3b

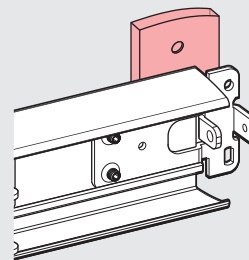


DISTANCE KIT PHB

7030000014514

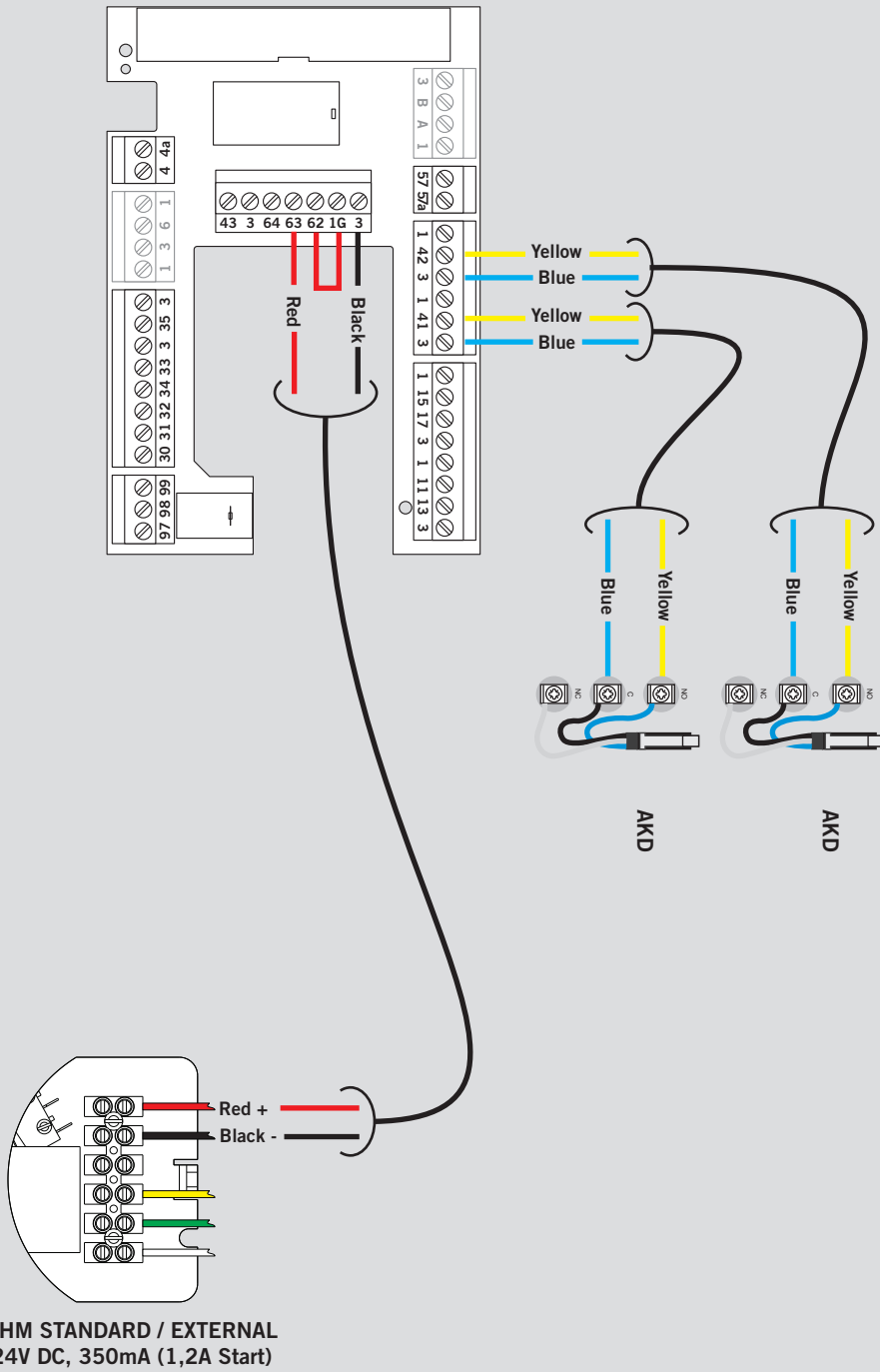
1 x 6mm Spacer

3c

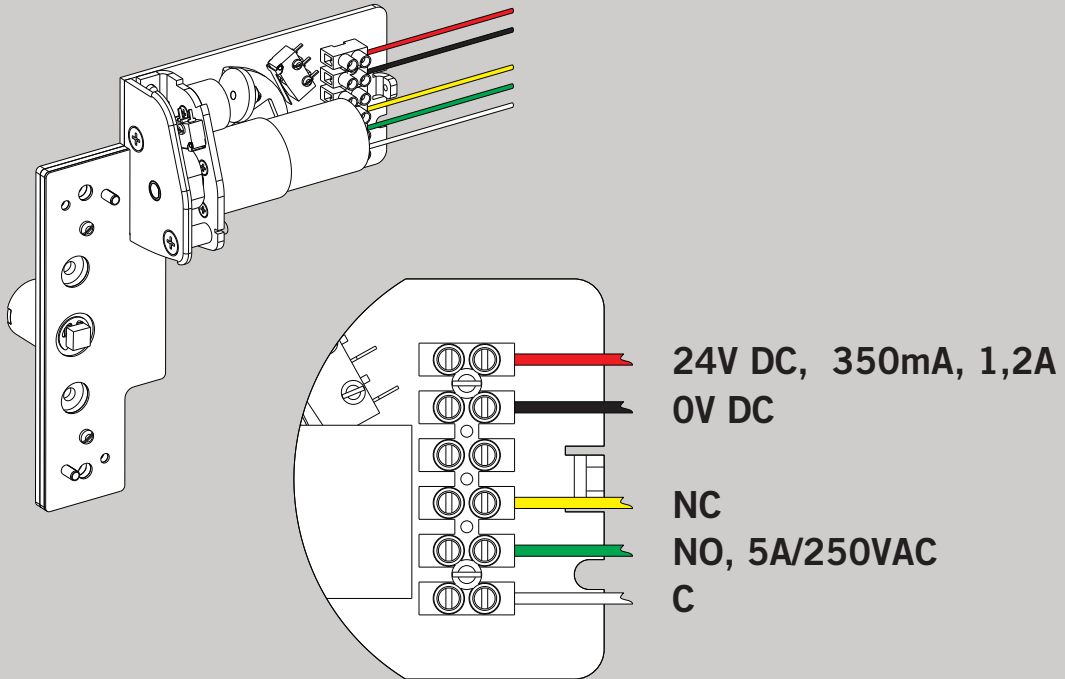


PHM STANDARD / EXTERNAL VS ED 100/250

DORMA ED 100/250



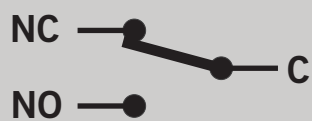
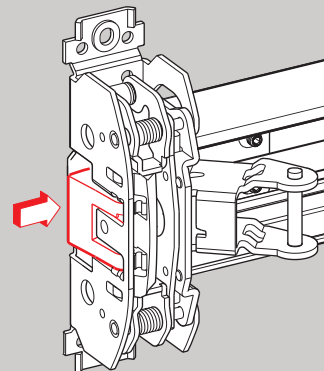
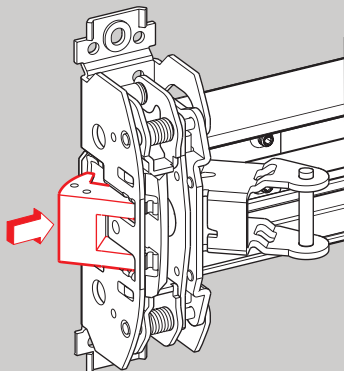
LIGHT MANUAL PHM STANDARD / EXTERNAL



7a

Not activated (0V DC)

Activated by motor/magnet (24V DC)



7b