



DRS RAIL SYSTEM - WITH SIDELITES

—

Installation instructions:

2-1/2", 3-5/8", 4", 6" and 10" DRS rail systems with Sidelites

TABLE OF CONTENTS



Overview

General information	
Intended use	
Glass mount requirements/fittings/mounting	
Requirements for glass panel	
Safety instructions	
Symbols used - safety/ installation	
Maintenance, care, repair	
Disposal	3

System setup

Rail system	4
-------------	---

Preparing glass and rails

INSTALLATION INSTRUCTIONS:

Secure saddles to mounting surfaces	5
Secure rails to saddle	6
Install glass into rails	
Install end caps	7

DRS RAIL SYSTEM WITH SIDELITES

Overview

Follow these instructions in addition to the amounting and operating instructions in order to avoid damage of product and damage to person or property.

These instructions are for installation of the DRS Rail System with Sidelites for the following mounting and style versions:

1. Glass mounting

General information

- DORMA requires use of tempered laminated glass.
- DORMA glass hardware is not suitable for application in rooms where chemicals (e.g. chlorine) are used as indoor swimming pools, saunas or salt-water pool.
- Never move sliding panels faster than walking speed and always stop the door manually before it reaches end position.
- Do not swing doors with excessive force. Install limiting stop to prevent door from opening too far.

Intended use

- To stabilize sidelite glass panels to match the DRS Rail swing door system.

Glass requirements/fittings/mounting

- The substructure/wall must be able to bear permanent loads, be level and perpendicular (max. tolerance: 1/16" (2 mm) per meter).
- Fixings must be sufficiently dimensioned for the substructure/wall and weight of the door.
- When adjusting glass elements, always stick to the required clearance for the respective hardware. Adjust clearance so glass does not come in contact with any hard surfaces such as glass, metal or concrete.
- Do not use excessive force when installing the glass (avoid over tightening screws.)

Requirements for glass panel

- Heat-soaked thermally tempered safety glass
- Clamping area must be level and uncoated (no self-cleaning coating!)
- Never use glass with conchoidal fractures and/or damaged edges.

Safety instructions

- Installation requires two people
- Always wear protective clothing
- One properly qualified and specially trained staff is authorized to mount DORMA glass hardware.
- Due to crushing hazards and possible injury caused by breakage of glass during mounting, corresponding protective clothing (especially gloves and protective goggles) is required.
- Never clamp metal glass fitting hardware directly to glass surface.
- Never use clamping roller carriers on self-cleaning coatings.

Symbols used – Safety/Installation



Caution!

Mounting components must meet the requirements of substructure/wall and door weight. Please read the technical information for fittings.



Risk of breaking glass

When installing the door, support the door panel with a block of wood or similar object.



Information note

Maintenance, care, repair

- immediately replace damaged parts
- always use original DORMA parts
- Clean clamping area with alcohol-based standard commercial cleaning agent before mounting the glass hardware.
- use a damp cloth for occasional cleaning, especially the track
- Always use silicone- and oil-free cleaners (e.g. acetone).
- Check glass hardware at regular intervals for proper positioning and smooth operation and correct adjustment.
- High traffic door systems require inspection by properly qualified staff (specialized companies or installation firms.)

Disposal

Dispose in accordance with local, state and national regulations.

DRS RAIL SYSTEM WITH SIDELITES

System Setup

Rail system

The rail system is comprised of the following core components.

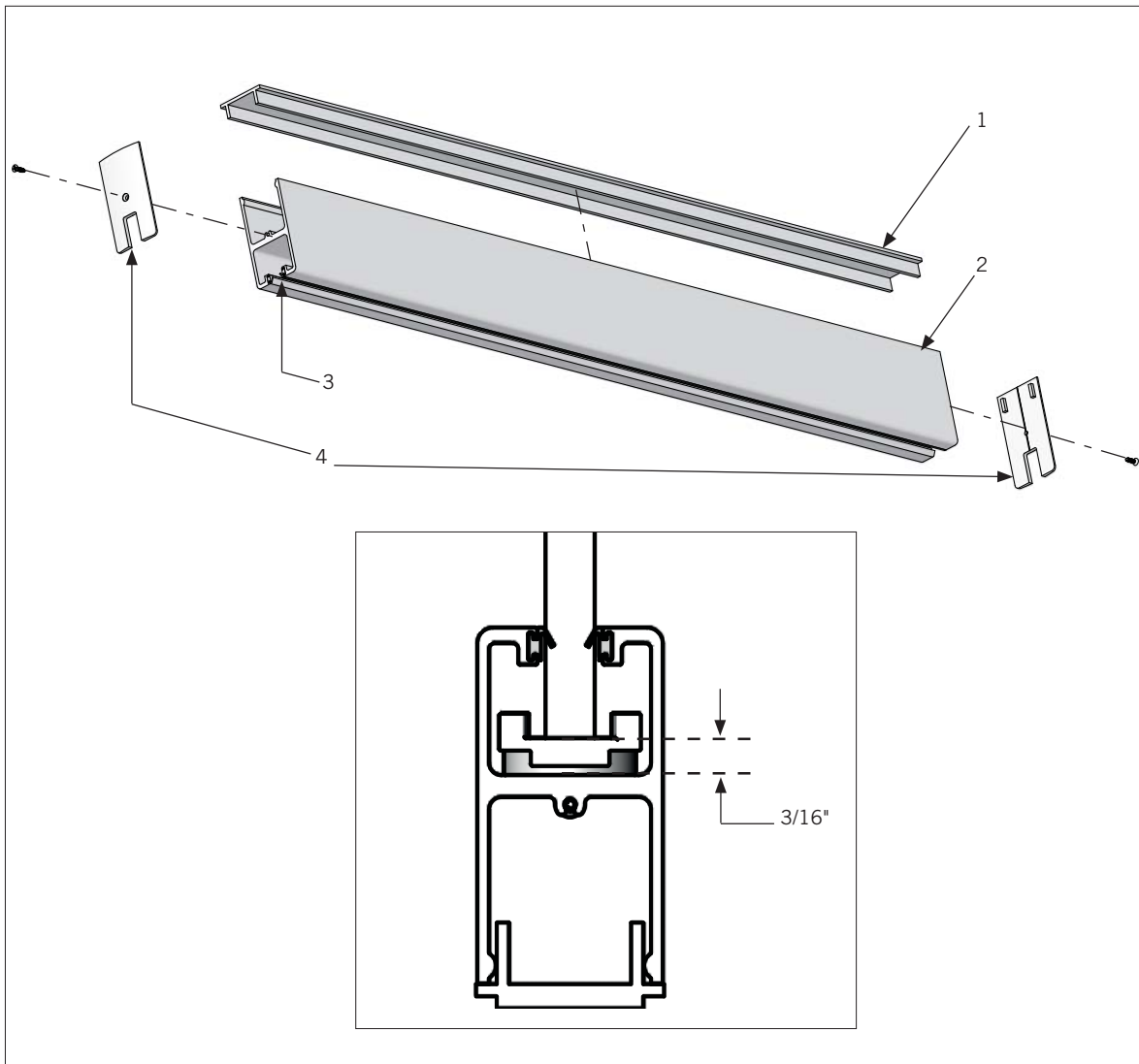
- Saddle (1)
- Top and bottom rails (2)
- Rail gaskets (3)
- Setting blocks (not shown)
- End caps (4)

Included fasteners

- 6-32 x 1/2" Phillips flat head screw

Tools recommended

- #2 Phillips screwdriver



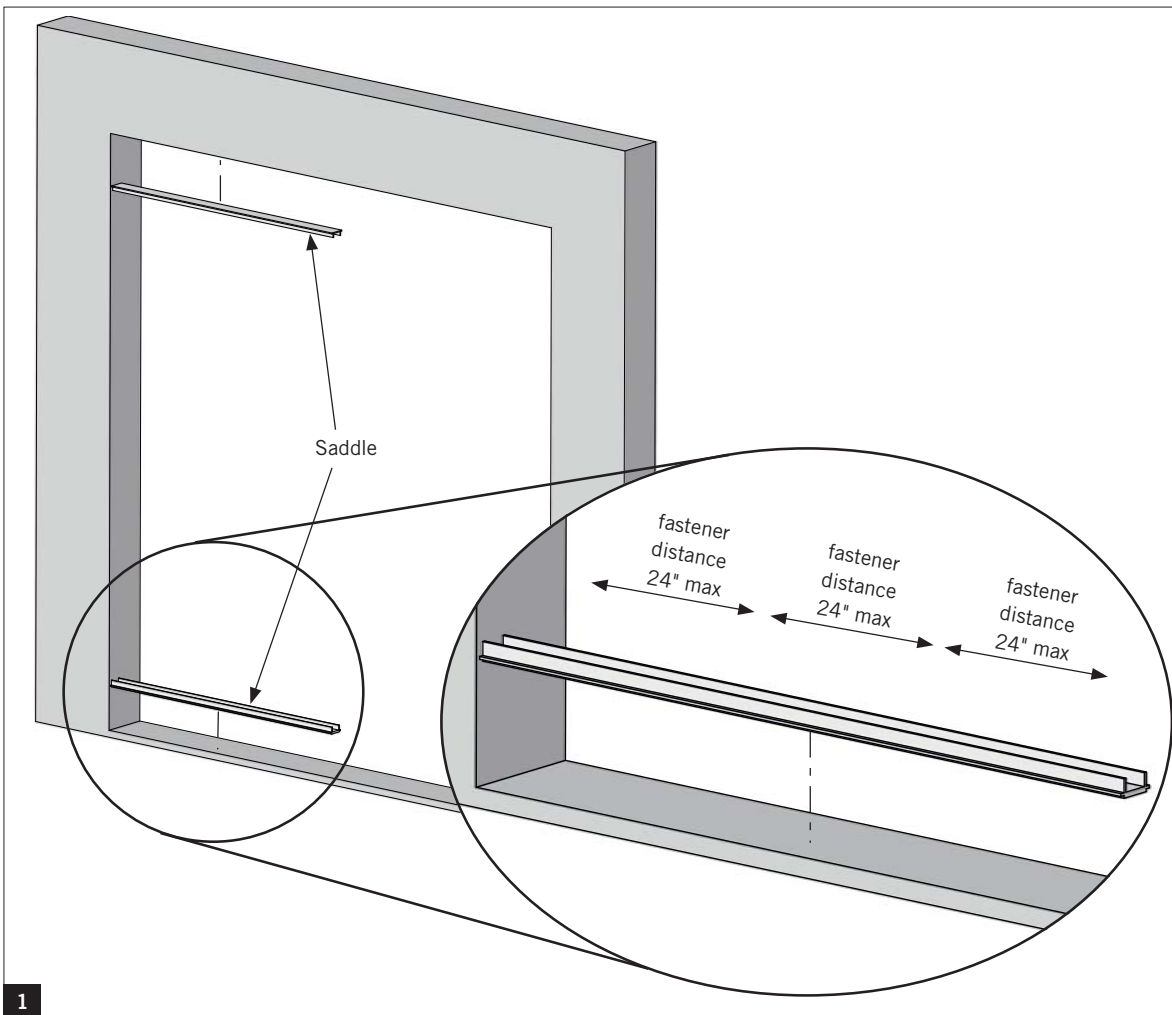
DRS RAIL SYSTEM WITH SIDELITES

Preparing glass and rails

- 1.1 Fully clean surface of glass with an alcohol-based mild glass and surface cleaner. Ensure no debris is on gasket.
- 1.2 Be sure that all surfaces are completely dry before proceeding.
- 1.3 Check glass width, height and for any visible defects.
- 1.4 Check glass thickness and type.
- 1.5 **Always** use setting blocks, **at minimum**, on bottom rails of system.
- 1.6 Check that glass surface is flat and without surface treatment of any kind. Example: self-cleaning coatings.

Installation Instructions

Secure saddles to mounting surfaces

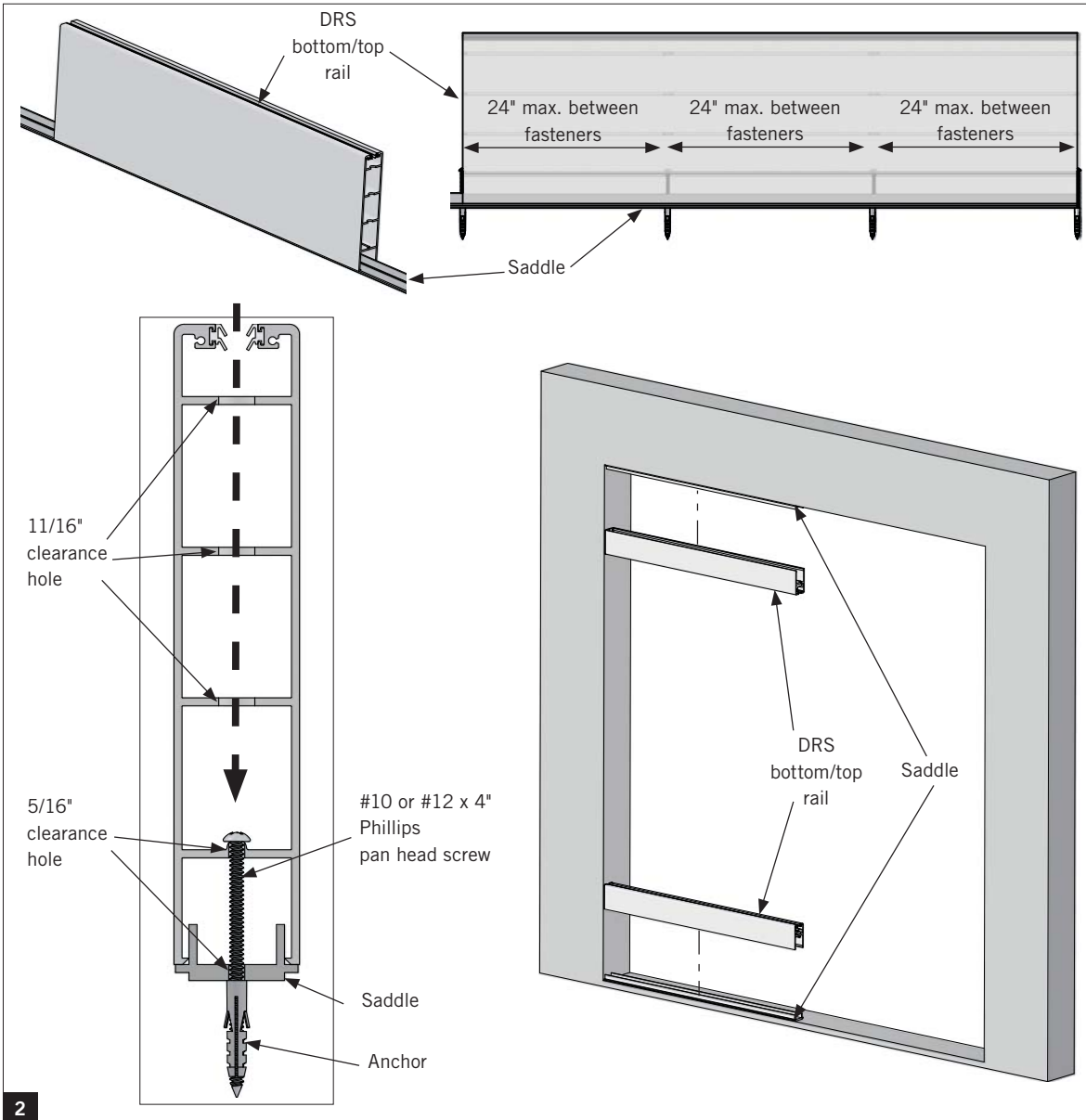


NOTE: ENSURE FRAME IS PLUMB PRIOR TO RAIL SYSTEM INSTALLATION.

- 1.1 Secure saddles to upper and lower mounting surfaces.
 - **NOTE: Appropriate anchor should be used depending on application.**
 - Fasteners should be a maximum of 24" apart.

DRS RAIL SYSTEM WITH SIDELITES

Secure rails to saddles



NOTE: ENSURE THE WEB HOLES IN THE RAIL AND THE SADDLE HOLES INTO THE GROUND LINE UP PROPERLY.

Top and bottom saddles:

- 2.1 Mark and drill 5/16" clearance holes on center every 24" max.
- 2.2 *Secure with appropriate anchorage dependent upon the application.*

Top and bottom rails:

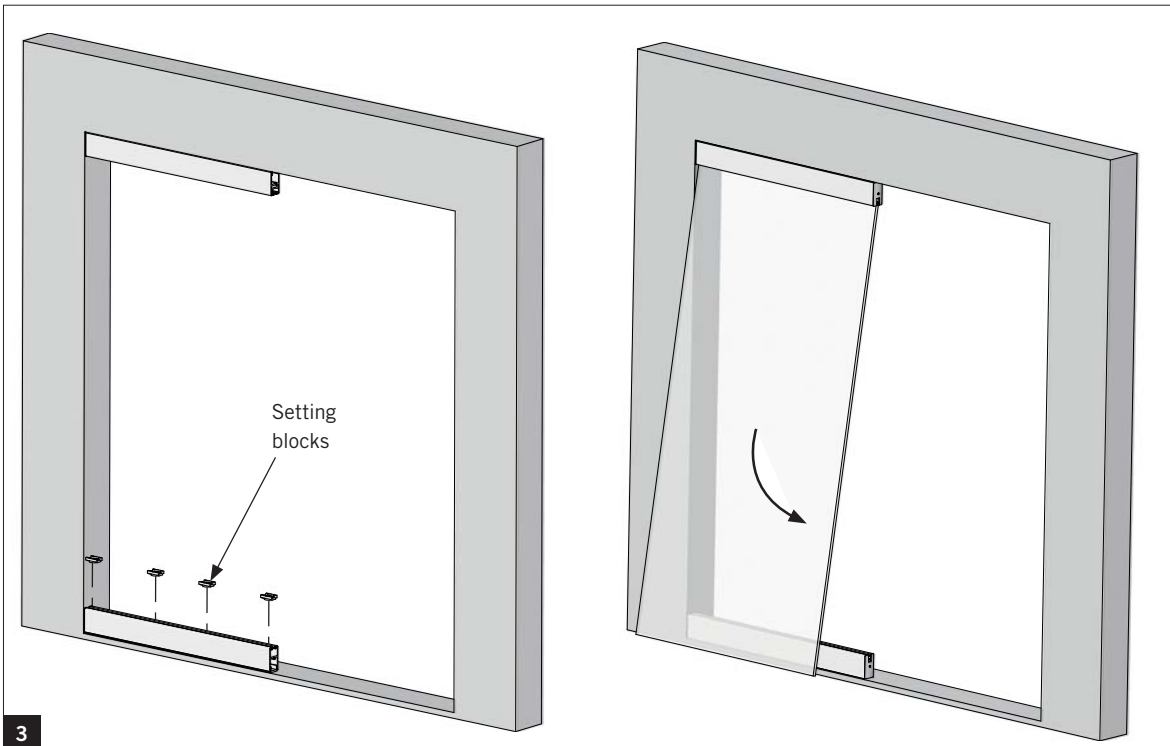
- 2.3 Mark and drill 11/16" clearance holes on center every 24" max. through first three webs of rail.
- 2.2 Mark and drill 5/16" clearance holes on center every 24" max. through bottom web of rail.
- 2.3 Install rail on saddle.

2.4 Secure with appropriate fasteners:

- **3-5/8", 4", 6", 10" rail:** Use #10 or #12 x 4" Phillips pan head screw
- **2-1/2" rail:** Use #10 or #12 x 3" Phillips pan head screw

DRS RAIL SYSTEM WITH SIDELITES

Install glass into rails



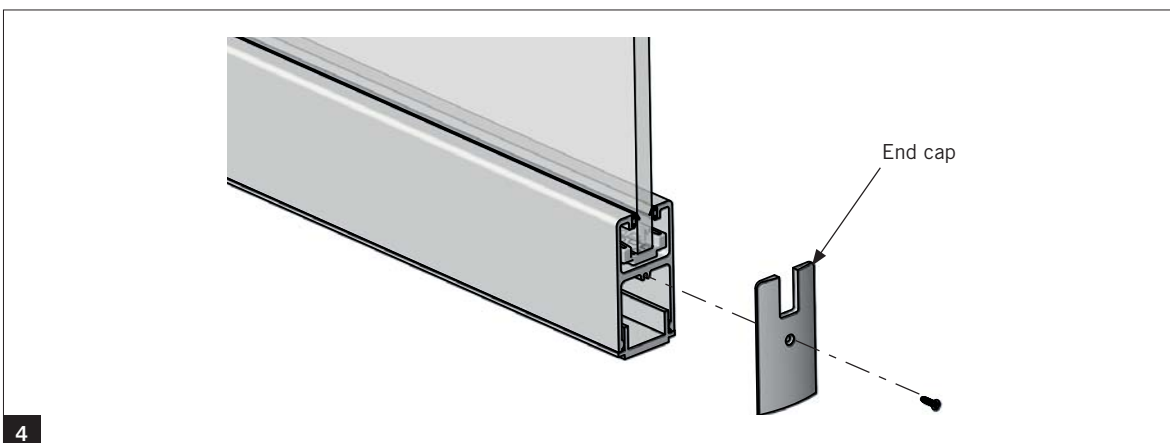
3.1 Once sidelite rail is secure, place setting blocks in bottom rail.

3.2 For tempered laminated glass: remove gaskets from rails

3.3 Lift glass panel up into top rail and lower down onto setting blocks in bottom rail.

3.4 For tempered laminated glass: Ensure glass panel is properly in place and secure with a bead of silicone where glass and rail meet.

Install end caps



4.1 Secure end caps via included fastener.



DORMA USA, INC.
DORMA DRIVE, DRAWER AC
REAMSTOWN, PA 17567
TOLL-FREE: 800-523-8483
FAX: 800-274-9724
WEBSITE: WWW.DORMA.COM