



TG 9387

—

Installation instructions:

Back-to-back and single-sided non-locking pulls

Operator overall

Specifications	General information	
	Mounting	
	Maintenance	3
<hr/>		
Glass doors	Glass door: Back-to-back non-locking pull	4-5
	Assemble the back-to-back non-locking pull	4
	Glass door: Single-sided non-locking pull	
	Assemble the single-sided non-locking pull	6
<hr/>		
Wood doors	Wood door: Back-to-back non-locking pull	7-8
	Wood door with rose: Single-sided non-locking pull	9
	Wood door blind: Single-sided non-locking pull	10

Specifications

Important safety-related information for the mounting and use of DORMA glass hardware.

(Follow these instructions in addition to the mounting and operating instructions in order to avoid damage of product and damage to person or property.)

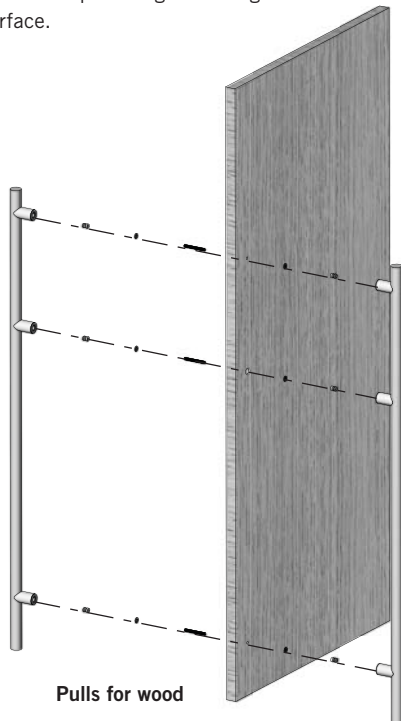
Important: This document is intended to inform users of safety-related information and the mounting and operation instructions.

General information

1. DORMA requires use of tempered glass or tempered laminated glass.
2. DORMA glass hardware is not suitable for application in rooms where chemicals (e.g. chlorine) are used as indoor swimming pools, saunas or salt-water pools.
3. Never move sliding panels faster than walking speed and always stop the door manually before it reaches end position.
4. Do not swing doors with excessive force. Install limiting stop to prevent door from opening too far.

Mounting

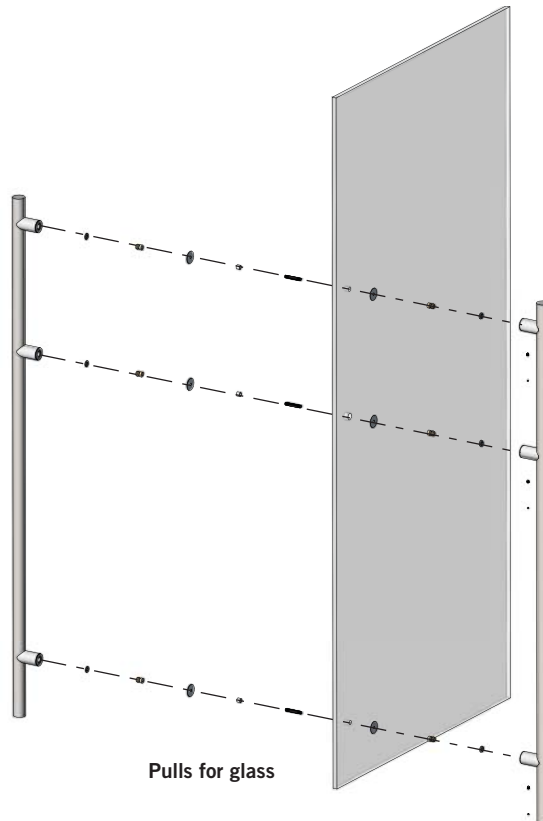
1. Only properly qualified and specially trained staff is authorized to mount DORMA glass hardware.
2. Never use glass with conchoidal fractures and/or damaged edges.
3. Due to crushing hazards and possible injury caused by breakage of glass during mounting, corresponding protective clothing (especially gloves and protective goggles) is required.
4. Clean clamping area with safe alcohol-based standard commercial cleaning agent before mounting the glass hardware.
5. Never clamp metal glass fitting hardware directly to glass surface.



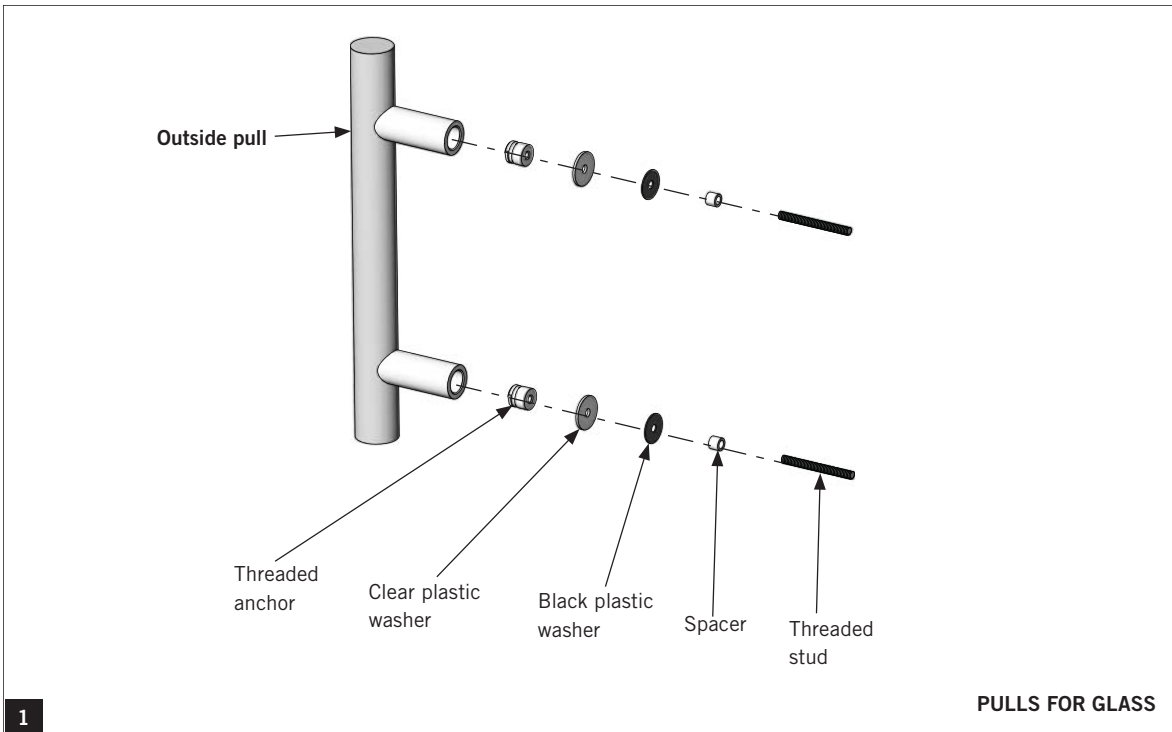
6. Never use clamping roller carriers on self-cleaning coatings.
7. When adjusting glass elements, always comply to the required clearance for the respective hardware. Adjust clearance so glass does not come in contact with any hard surfaces such as glass, metal or concrete.
8. Do not use excessive force when installing the glass (avoid over tightening screws).

Maintenance

Check glass hardware at regular intervals for proper positioning and smooth operation and correct adjustment. High traffic door systems require inspection by properly qualified staff (specialized companies or installation firms). Immediately replace damaged glass elements (no glass flaking and/or conchoidal fractures)! Only use suitable cleaning and care products to clean the surfaces.



Glass door: Back-to-back non-locking pull



Assemble the back-to-back non-locking pull

GLASS DOOR:

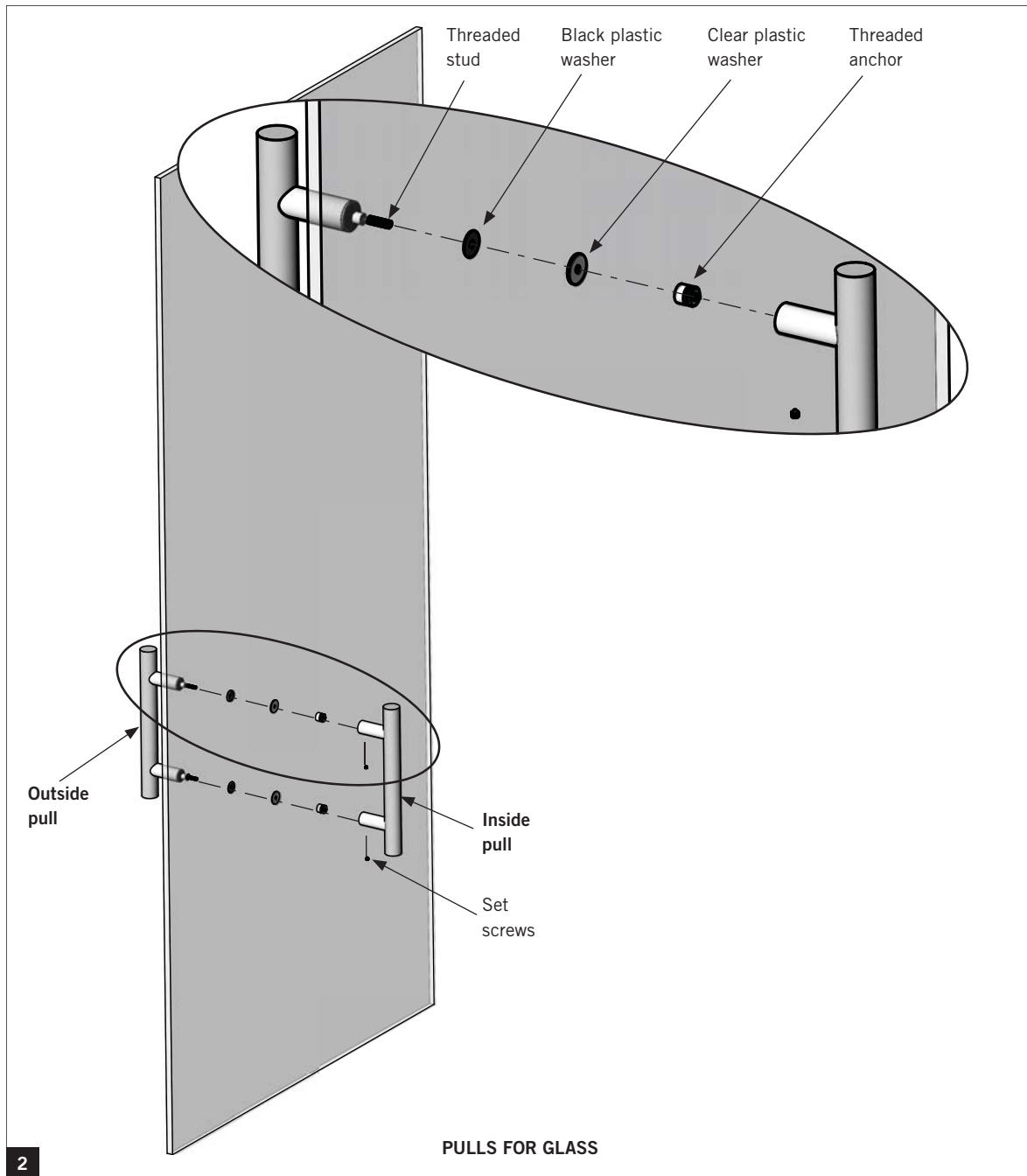
NOTE: Be sure to use the appropriately sized screw pack dependent upon the size and type of door being used.

1.1 Thread the following parts into the threaded stud:

- threaded anchor
- clear plastic washer (qty: 1 per post)
- black plastic washer
- spacer

1.2 Insert the anchor and parts into the outside pull posts.

Glass door: Back-to-back non-locking pull - continued



2.1 Place the outside pull through the door.
NOTE: BE SURE TO SUPPORT THE PULL IN THE DOOR WITH YOUR HAND.

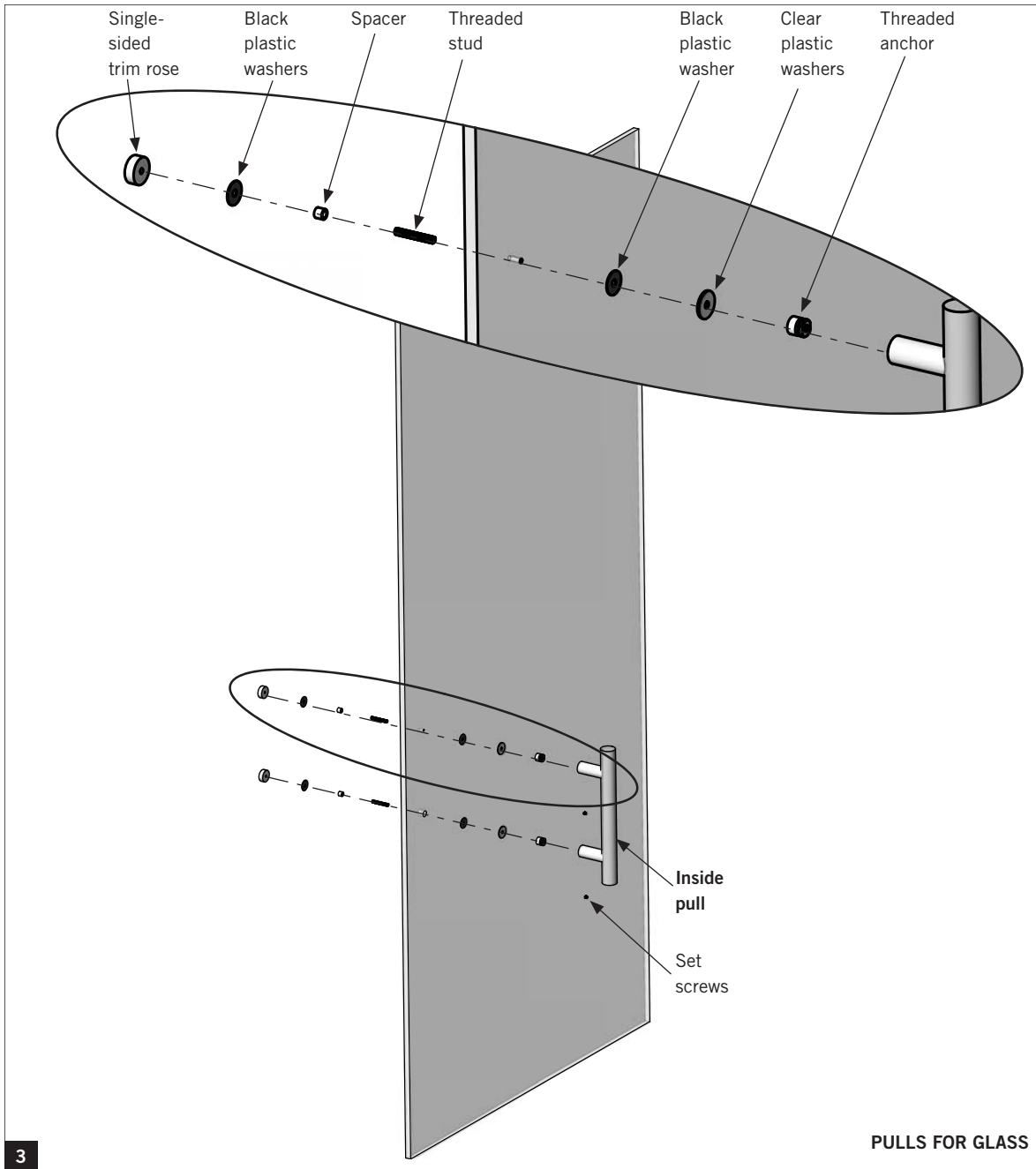
2.2 To secure the posts, thread the following parts onto the threaded stud:

- black plastic washer
- clear plastic washer
- threaded anchor

2.3 Slide the inside pull onto the anchors.

2.4 Tighten the set screw on each post of the inside pull.

Glass door: Single-sided non-locking pull



**Assemble the single-sided non-locking pull
GLASS DOOR (SINGLE-SIDED WITH ROSE):**

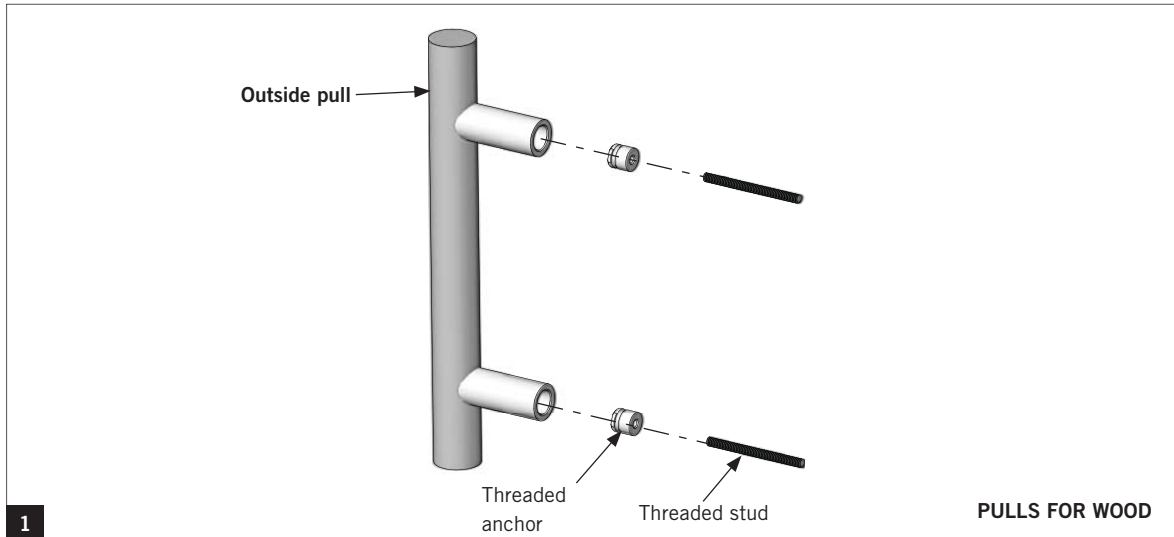
- 3.1 Lay the ladder pull on a flat surface.
- 3.2 Thread the following parts into each other:
 - single-sided trim rose
 - clear plastic washer
 - threaded stud
 - spacer
- 3.3 Feed the stud, spacer and rose assemblies through the glass door.

- 3.4 To secure the post, thread the following parts onto the threaded stud:
 - clear plastic washer
 - black plastic washer
 - threaded anchor

NOTE: The tapered side of the anchor should face the pull.

- 3.5 Slide the inside pull onto the anchors.
- 3.6 Tighten the set screw on each post of the inside pull.

Wood door: Back-to-back non-locking pull

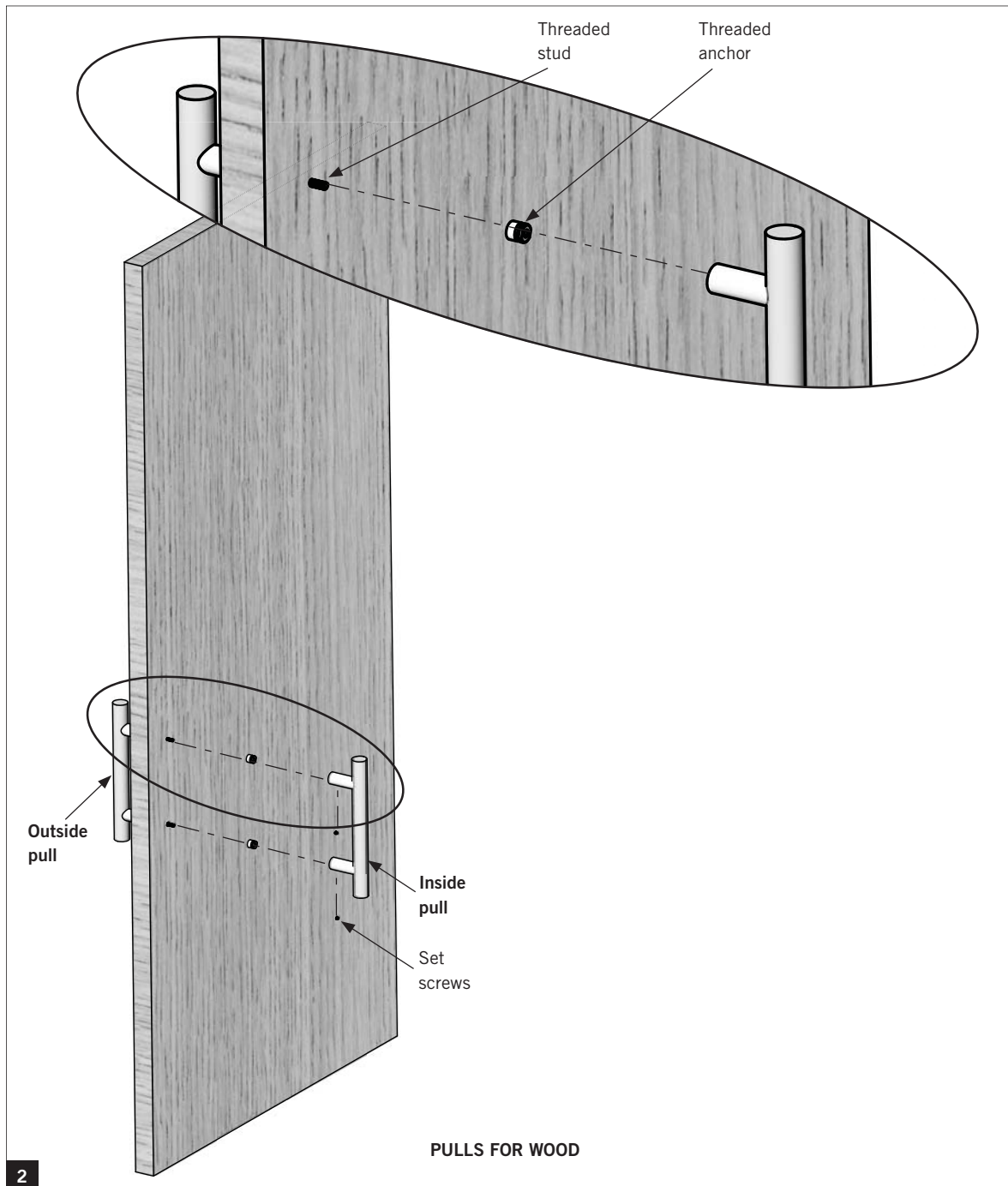


WOOD DOOR:

NOTE: Be sure to use the appropriately sized screw pack dependent upon the size and type of door being used.

- 1.1 Thread the following part into the threaded stud:
- threaded anchor

Wood door: Back-to-back non-locking pull - continued



- 2.1 Place the outside pull through the door.
NOTE: BE SURE TO SUPPORT THE PULL IN THE DOOR WITH YOUR HAND.

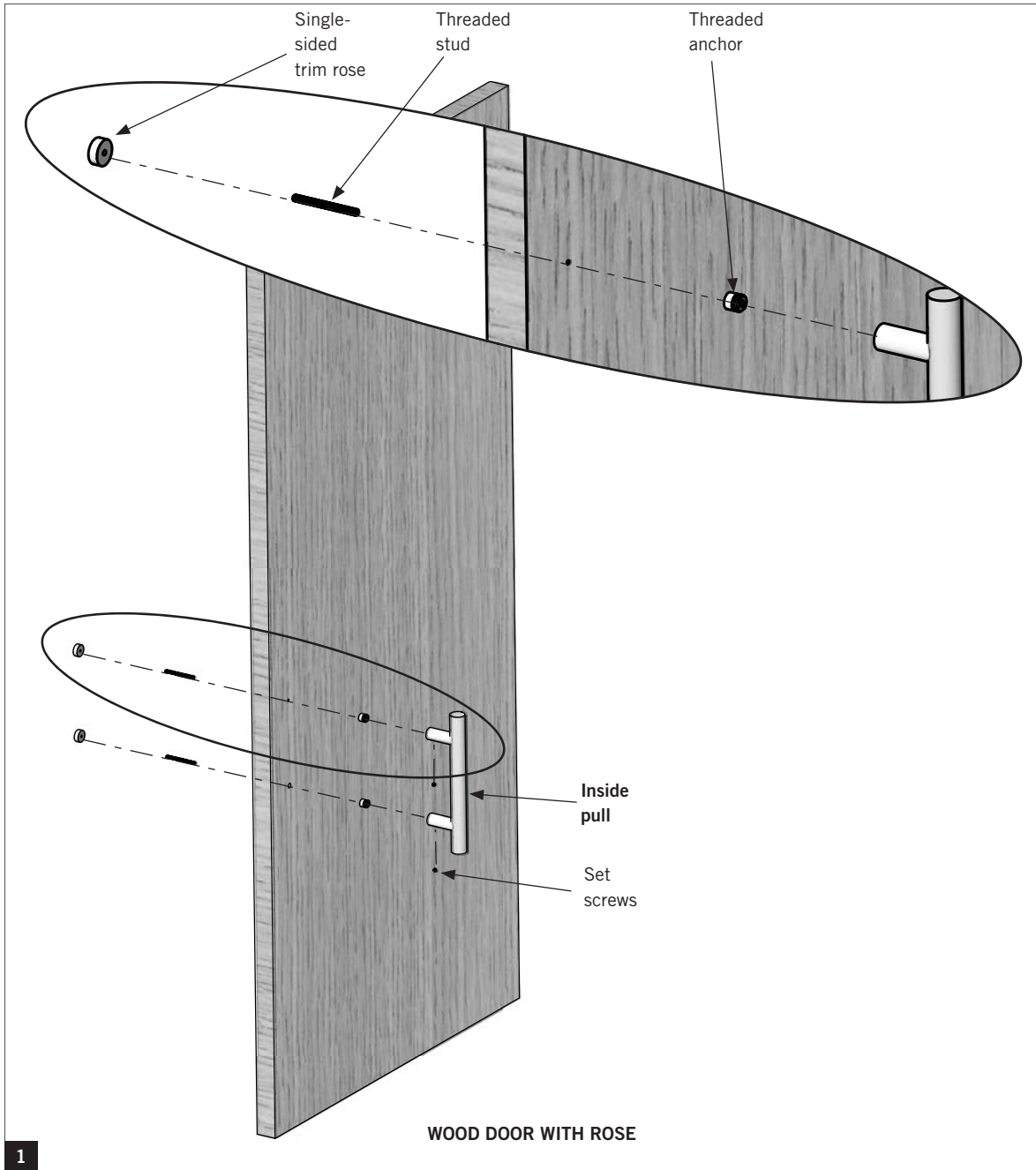
- 2.2 To secure the posts, thread the following part onto the threaded stud:

- threaded anchor

- 2.3 Slide the inside pull onto the anchors.

- 2.4 Tighten the set screw on each post of the inside pull.

Wood door with rose: Single-sided non-locking pull



Assemble the single-sided non-locking pull

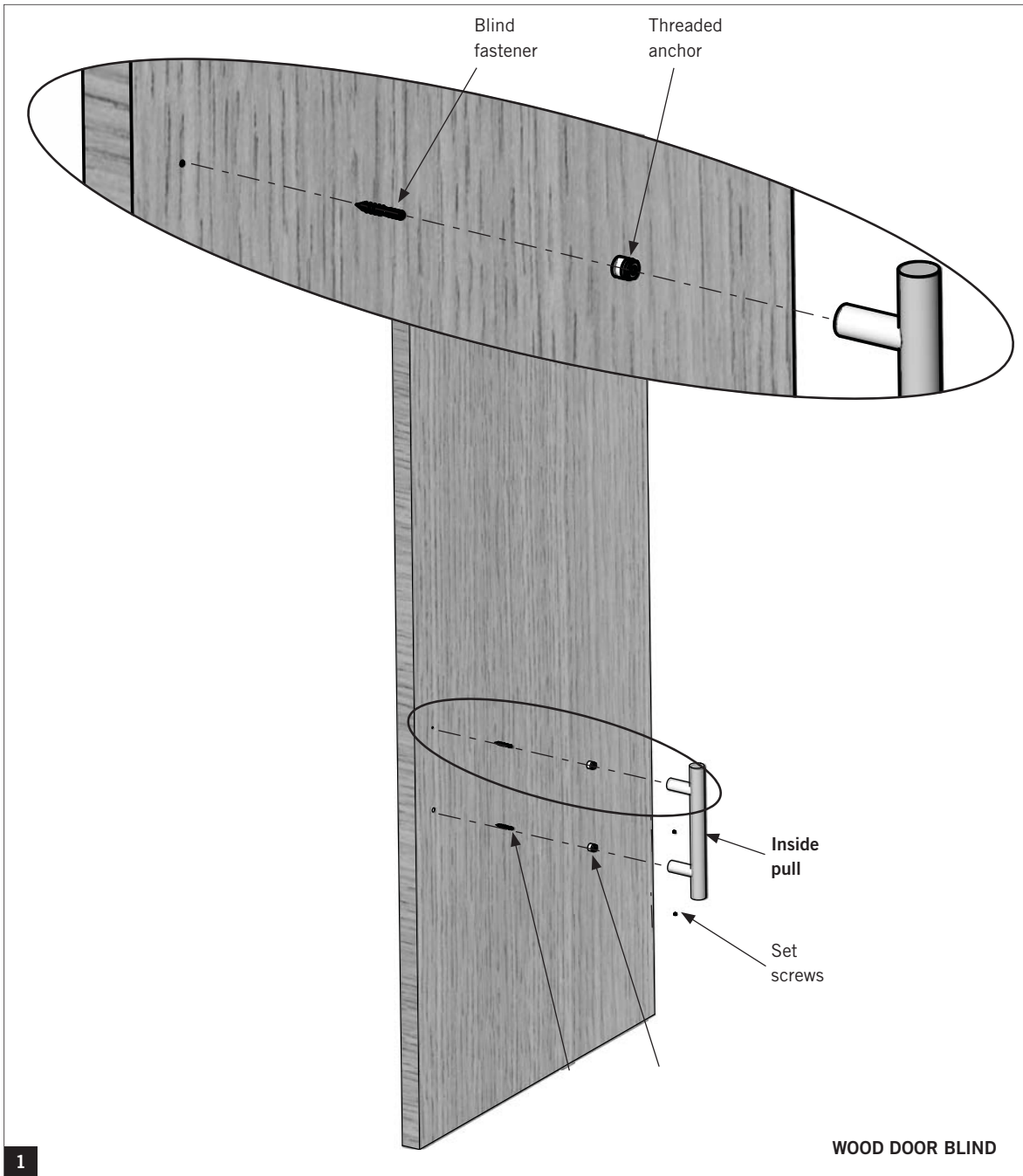
WOOD DOOR (SINGLE-SIDED WITH ROSE):

- 1.1 Lay the ladder pull on a flat surface.
- 1.2 Thread the following parts into each other:
 - single-sided trim rose
 - threaded stud
- 1.3 Feed the rose and stud through the wood door.
- 1.4 To secure the post, thread the following parts onto the threaded stud:
 - threaded anchor

NOTE: The tapered side of the anchor should face the pull.

- 1.5 Slide the inside pull onto the anchors.
- 1.6 Tighten the set screw on each post of the inside pull.

Wood door blind: Single-sided non-locking pull



WOOD DOOR (SINGLE-SIDED BLIND):

- 1.1 Lay the ladder pull on a flat surface.
- 1.2 Thread the following parts into each other:
 - blind fastener
 - threaded anchor
- 1.3 Twist the blind fastener through pilot hole in the wood door.
- 1.4 Slide the inside pull onto the anchors.
- 1.5 Tighten the set screw on each post of the inside pull.

NOTE: The tapered side of the anchor should face the pull.



DORMA USA, INC.
DORMA DRIVE, DRAWER AC
REAMSTOWN, PA 17567
TOLL-FREE: 800-523-8483
FAX: 800-274-9724
E-MAIL: DORMAARCHITECTURAL@DORMA.COM
WWW.DORMA.COM