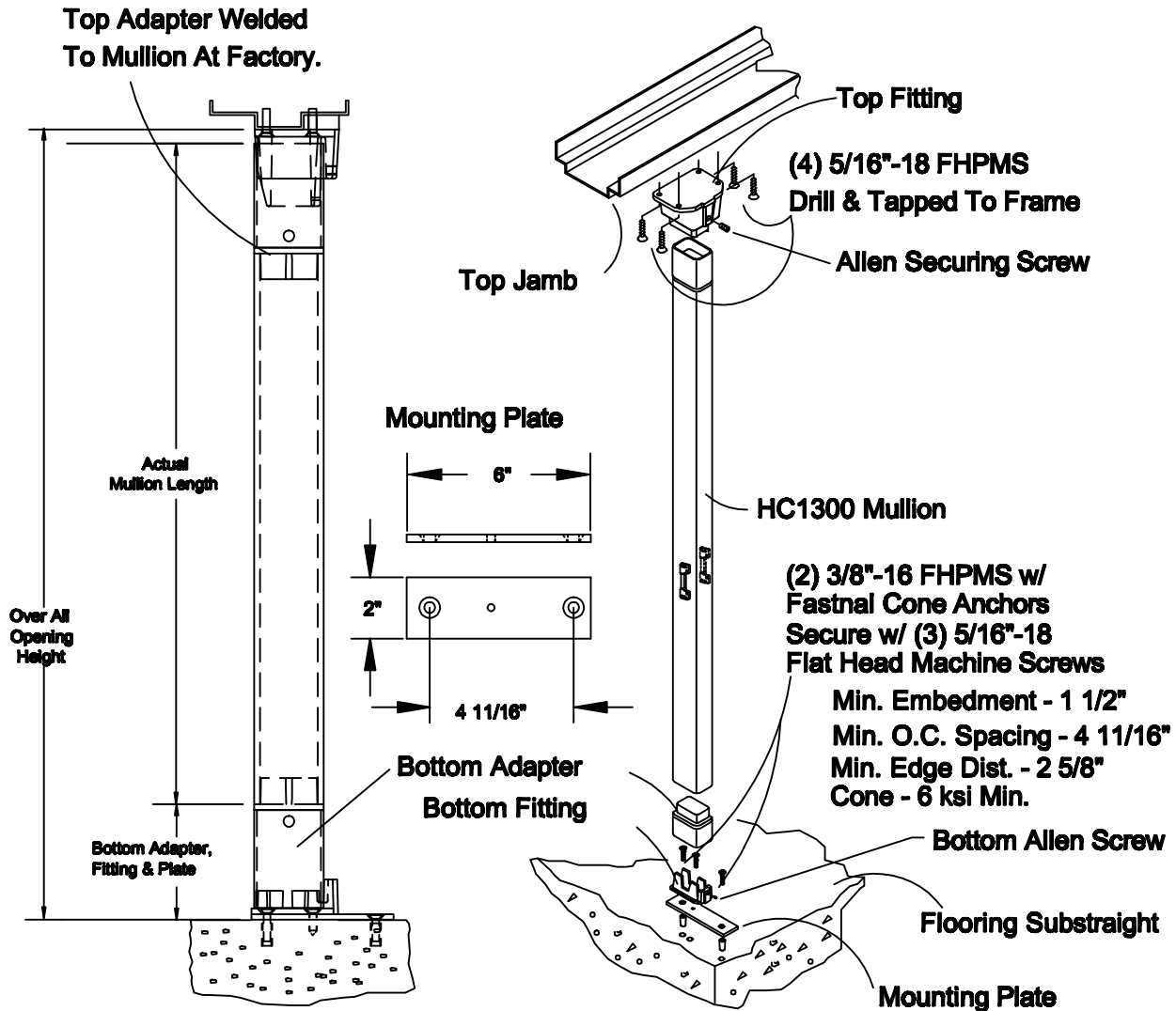


HC1300 MULLION INSTALLATION

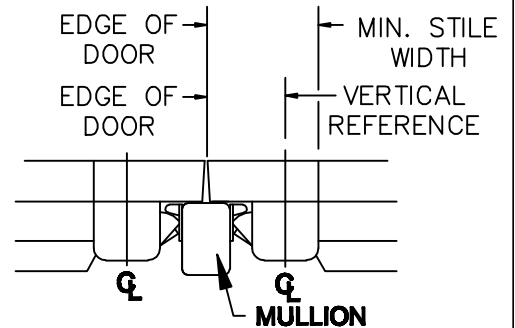


Mark out center of doors. Using top fitting as template locate and mark holes for top fitting.
 Locate bottom fitting location and use mounting plate for hole template.
 Install two anchors as shown. Install bottom fitting as shown. Plate bottom adapter over bottom fitting as shown.
 Cut mullion to length (if required) per below.

Cutting Instructions:

For 8' door opening cut long portion of mullion tube to 88 3/4".
 For 7' door opening cut long portion of mullion tube to 76 3/4".
 Cut mullion to length from bottom end.

Slide mullion up on to top fitting and allow it to drop down on to top of bottom adapter. Secure top of mullion with allen screw in top fitting, bottom mullion adapter with allen screw in bottom fitting.



MULLION	STRIKE	VERT. REF.	MIN. STILE
HC1300	ALL	3 11/32" (85 mm)	4 25/32" (121 mm)

DO NOT SCALE

REV. No. 1

REV:

DATE: 2-26-10



HC1300 Mullion Assy.

T-4013