

J300

—



Grade 2 Interconnected Locksets

J300 SERIES GRADE 2 INTERCONNECTED LOCKSETS



The J300 is an ANSI/BHMA certified Grade 2 interconnected lockset geared for light-duty, commercial applications where single motion egress is required.

The J300 features a 2-1/2" diameter rose and is suited for multifamily apartment units, condominiums, hotels, assisted living, and other commercial facilities of a light duty type.

Features

- Concealed fasteners on outside rose.
- Fits door with 4" and 5-1/2" hole centers.
- Door thickness range from 1-3/8"-1-3/4".
- 1/2" throw latch. Available backsets: 2-3/8" or 2-3/4". Please specify when ordering.
- 2-1/2" diameter rose.
- Non-handed for easy installation (LS lever is handed).

Certification

- ANSI/BHMA A156.2 Grade 2 certified.
- UL listed 3 hour fire rated.
- Meets A117.1 accessibility code and ADA requirements for barrier-free accessibility.
- Single motion egress meets life safety code requirements.



Warranty

For details, refer to **DORMA Limited Warranty** on our website at go.dorma.com/terms.

DORMA USA quality and environmental management systems in Reamstown, PA and Steeleville, IL are certified to ISO 9001:2008 and ISO 14001:2004.



Intertek



Intertek

Finishes

- 605 (Bright Brass)
- 613 (Dark Bronze)
- 619 (Satin Nickel)
- 626 (Satin Chrome)

Lever Styles

- LR, LC, LG, LS

Recommended Applications

- Apartments
- Assisted Living
- Condominiums
- Other Multifamily Housing

Finish Availability Chart

	626	613	619	605
LR	•	•		
LC	•	•		•
LG	•	•	•	
LS		•	•	•

TRIM OPTIONS

Lever Designs



LC Lever



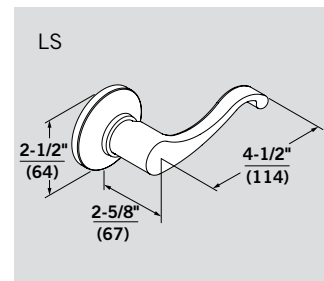
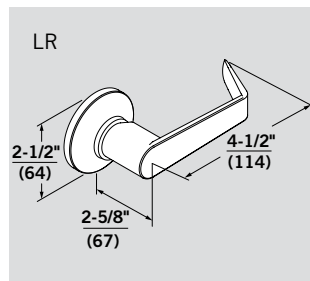
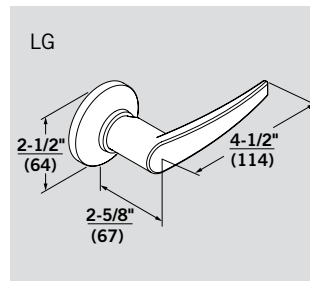
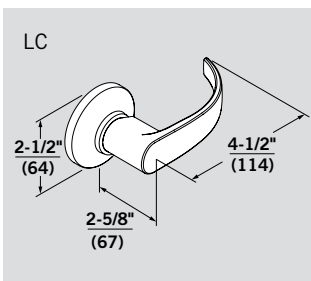
LG Lever



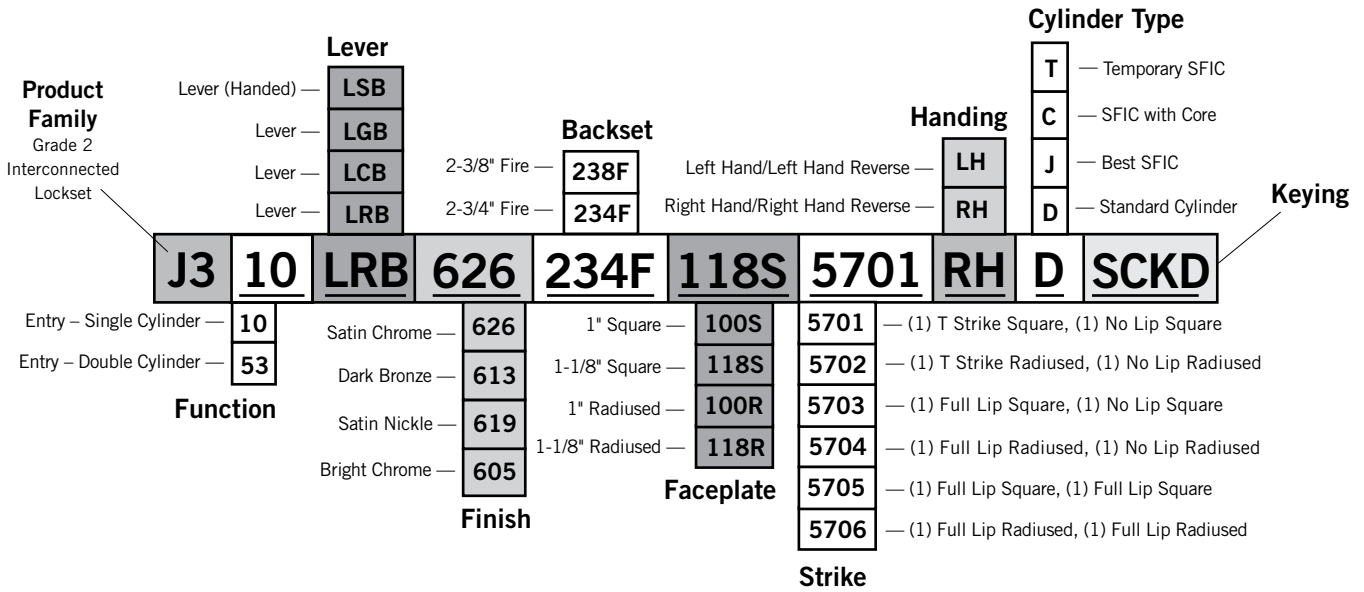
LR Lever



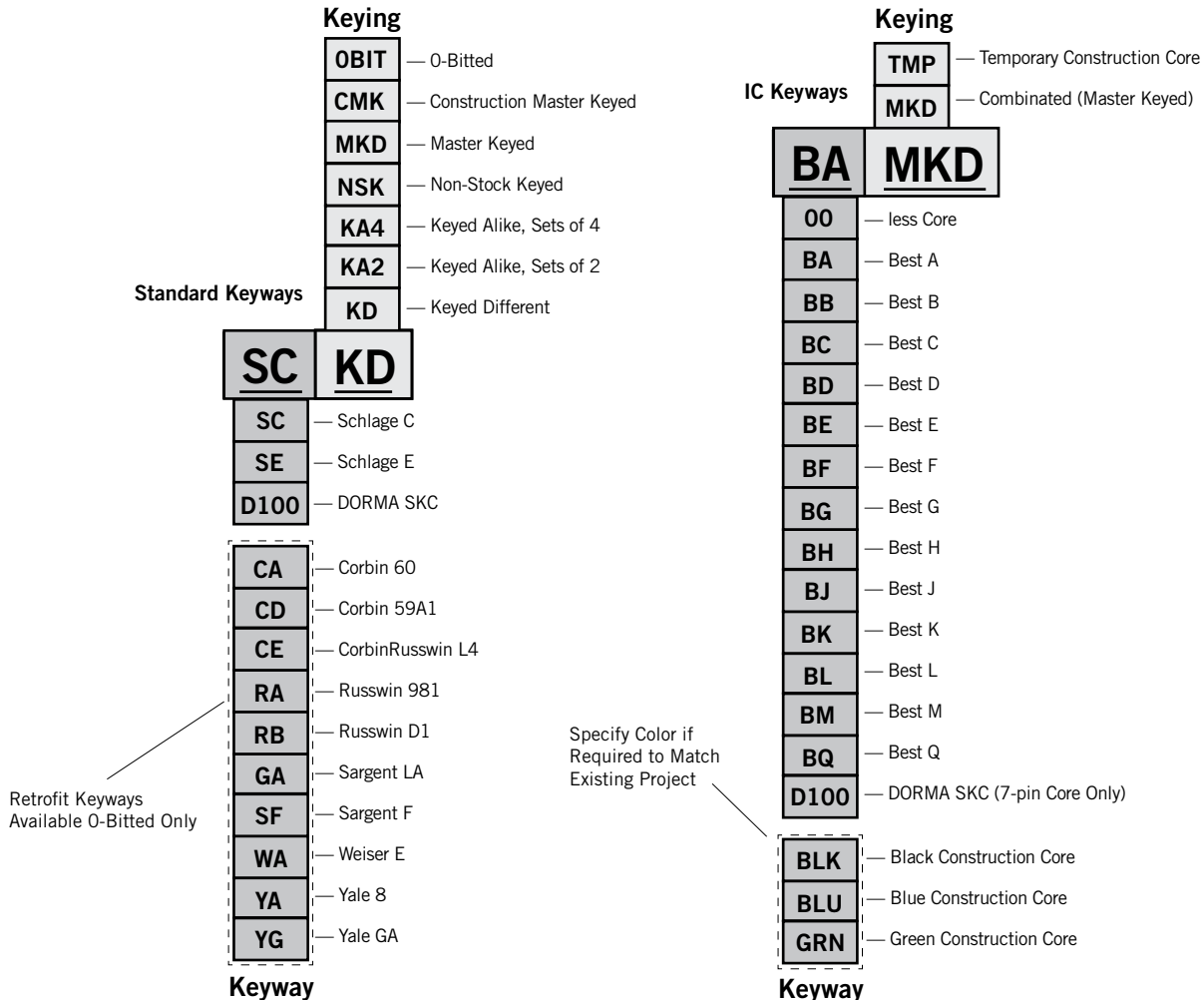
LS Lever



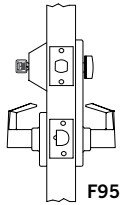
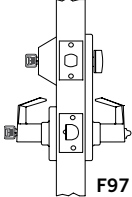
HOW TO ORDER J300 SERIES LOCKS



HOW TO ORDER KEYWAYS



FUNCTIONS

Function	Series	Outside/Inside	Description
Entry Single Cylinder	J310	 F95	<ul style="list-style-type: none"> ▪ Latch bolt operated by trim either side. ▪ Dead bolt operated by key outside or turn inside. ▪ Dead bolt and latch bolt retracted simultaneously by trim inside.
Entry Double Cylinder	J353	 F97	<ul style="list-style-type: none"> ▪ Deadlocking latch bolt operated by trim either side, except when outside trim locked by turn button inside. ▪ When outside trim locked, deadlocking latch bolt operated by key outside. ▪ Inside button must be turned to unlock outside trim. ▪ Dead bolt operated by key outside or turn inside. ▪ Dead bolt and latch bolt retracted simultaneously by trim inside. ▪ Closing door does not release turn button inside.

LOCK OPTIONS

Strikes

