

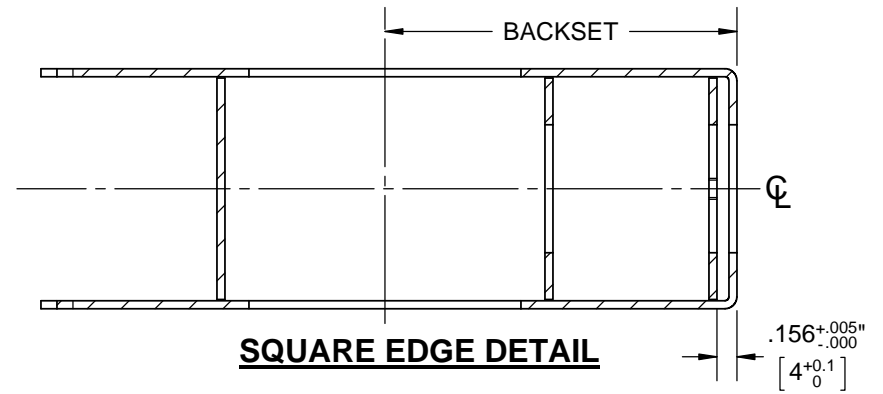
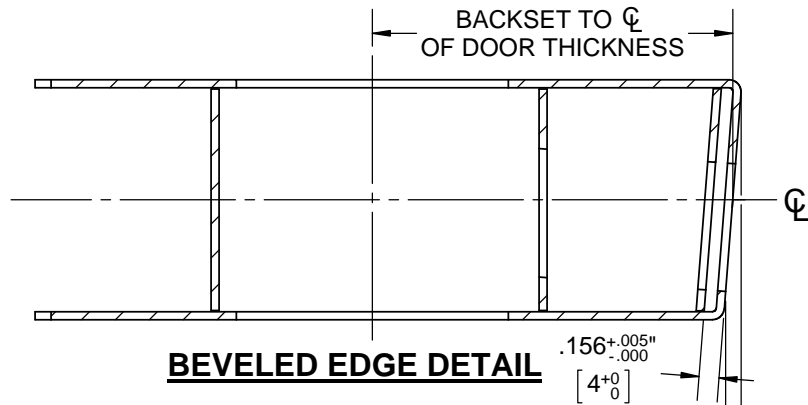
**NOTES:**

1. DRAWING IS NOT TO SCALE.
2. DIMENSIONS ARE IN INCHES/[MM].

WOOD DOORS FOR:  
T910, T925, T940  
FACE PLATE 1" FLAT OR BEVELED

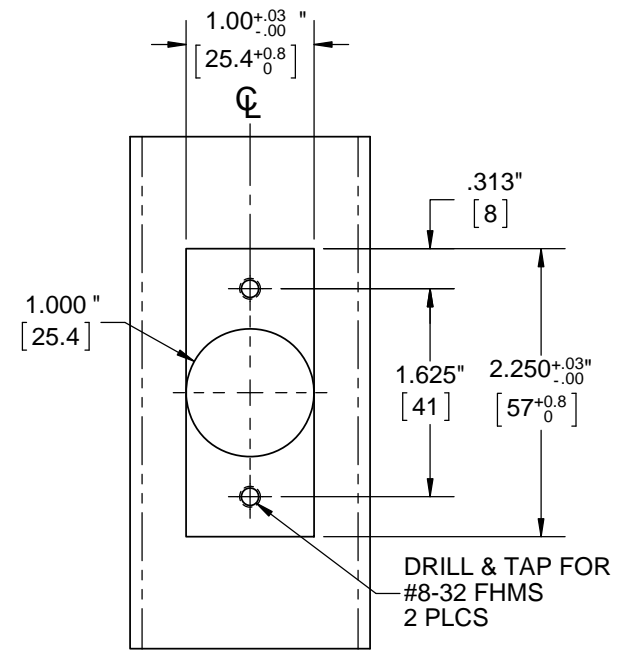
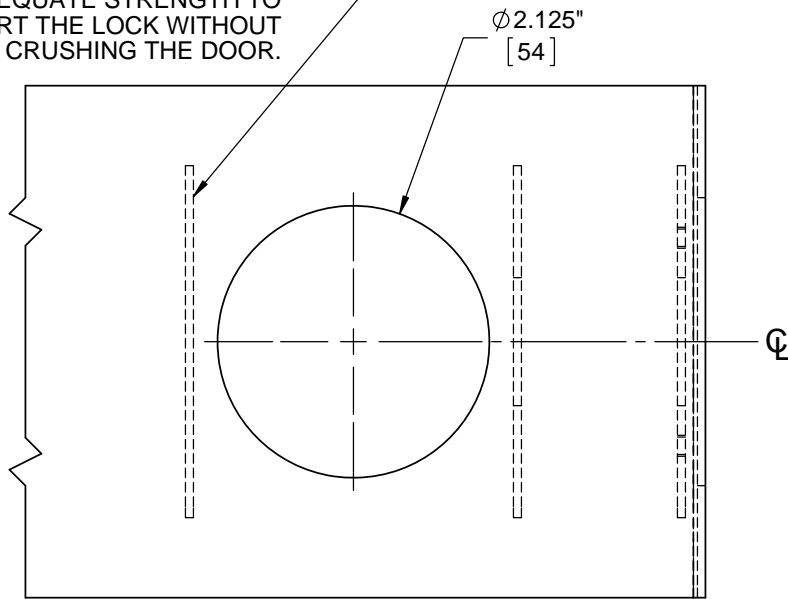


DORMA USA, Inc.  
Reamstown, PA 17567



NOTE: LATCH CASE AND LOCK CHASSIS SUPPORTS MUST BE DESIGNED TO PROVIDE ADEQUATE STRENGTH TO SUPPORT THE LOCK WITHOUT CRUSHING THE DOOR.

0.125" OVER 2.0 BEVEL  
[3.2MM OVER 51MM]



**NOTES:**

1. DRAWING IS NOT TO SCALE.
2. DIMENSIONS ARE IN INCHES/[MM].

METAL DOORS FOR:  
T910, T925, T940  
FACE PLATE 1" FLAT OR BEVELED



DORMA USA, Inc.  
Reamstown, PA 17567