

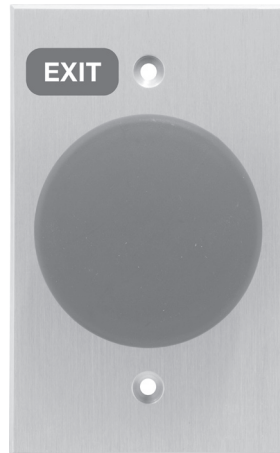
INSTALLATION



PBEO / PBHO

Push Buttons

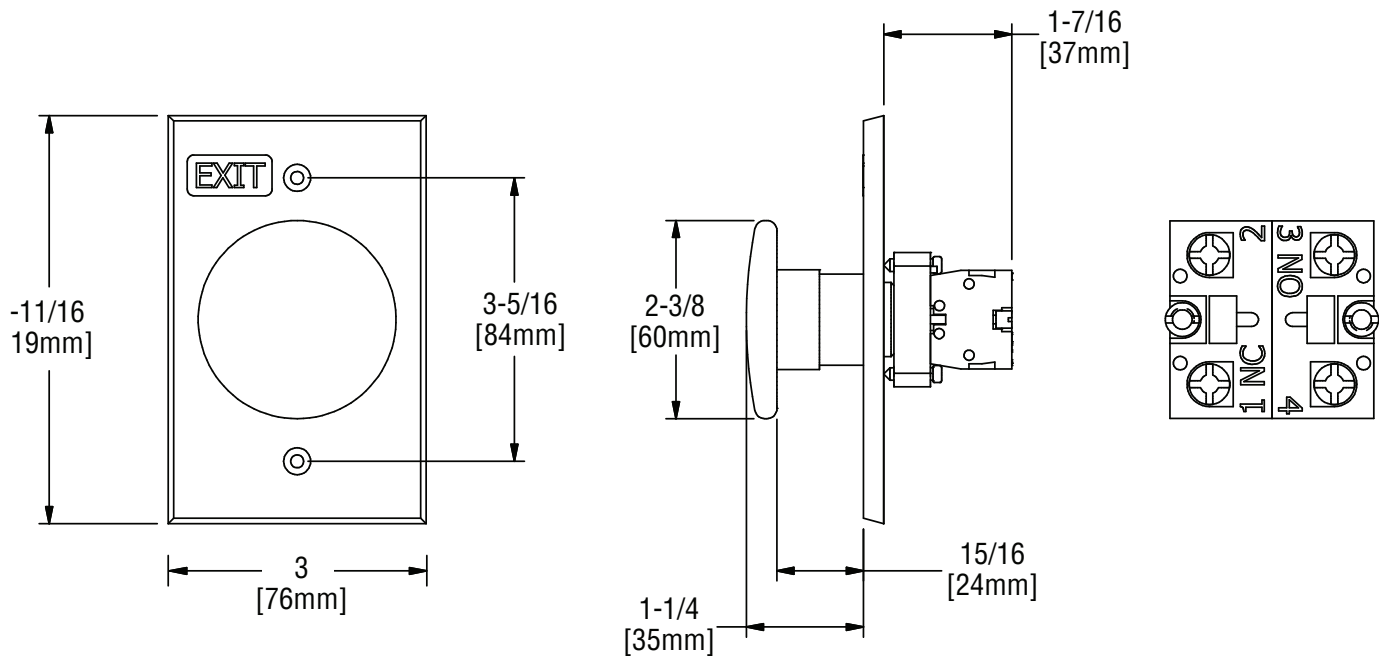
PBEO



PBHO



Note: Exit or Handicap Label is included and positioning is determined by the installer



Description	Switch Mode	Switch Configuration	Switch Rating	Standard
PBEO Mushroom	Momentary Action	1 x SPST N/O & 1 SPST N/C	5A @24V UL/CSA	628 or 710 with Red Cap
PBHO Mushroom	Momentary Action	1 x SPST N/O & 1 SPST N/C	5A @24V UL/CSA	628 or 710 with Blue Cap

NOTE: Specifications are subject to change without notice. N/C – Normally Closed; N/O – Normally Open