

Universal Patch Fittings PT60/61

Overpanel and Sidelite with/without fin

Installation instructions

833005 – 07-2019

| EN |

dormakaba 

Table of contents

1	Technical specifications	3
1.1	Overview	3
	1.1.1 General information	3
	1.1.2 Intended use	3
	1.1.3 Glass requirements/fittings/mounting	3
	1.1.4 Requirements for glass panel	3
	1.1.5 Safety instructions	3
	1.1.6 Symbols used - Safety/Installation	3
	1.1.7 Maintenance, care, repair	3
	1.1.8 Disposal	3
1.2	Door dimensions & options	4
2	Installation instructions	5
2.1	Overall	5
2.2	Install inserts and fitting gaskets	6
2.3	Install fittings on transom and sidelite	6
2.4	Install patch fitting covers	7
2.5	Install fin gaskets	7
2.6	Install fittings onto fin	8
2.7	Install fin covers	8

1 Technical specifications

1.1 Overview

These instructions are for installation of the Universal PT60/61 Connector for Overpanel and Sidelite with/without Fin Patch Fittings for the following mounting and style versions:

1. Glass mounting

1.1.1 General information

- dormakaba requires use of tempered monolithic glass.
- dormakaba glass hardware is not suitable for harsh environment; for example, applications where chemicals (e.g. chlorine) are used such as indoor swimming pools, saunas, or salt-water pools.
- Do not swing doors with excessive force. Install limiting stop to prevent door from opening too far.

1.1.2 Intended use

- For pivoting doors in indoor or covered areas only.
- For manual slowly opening and closing only.

1.1.3 Glass requirements/fittings/mounting

- The substructure/wall must be able to bear permanent loads, and be level (max. tolerance: 1/16" [2] per 39" [1m]).
- Fasteners must be sufficiently dimensioned for the substructure/wall and weight of the door.
- When adjusting glass elements, always stick to the required clearance for the respective hardware. Adjust clearance so glass does not come in contact with any hard surfaces such as glass, metal or concrete.
- Do not use excessive force when installing the glass (avoid over tightening screws.)

1.1.4 Requirements for glass panel

- dormakaba requires use of fully tempered glass, which complies with ASTM C 1036 and ASTM C 1048. Secondary heat soaking processes are optional but not required.
- Clamping area must be flat and uncoated (no self-cleaning coating!)
- Never use glass with conchoidal fractures and/or damaged edges.

1.1.5 Safety instructions

- Installation requires two people.
- Always wear protective clothing.

- Only properly qualified and specially trained staff are authorized to mount dormakaba glass hardware.
- Due to crushing hazards and possible injury caused by breakage of glass during mounting, corresponding protective clothing (especially gloves and protective goggles) is required.
- Never clamp metal fitting hardware directly to glass surface.

1.1.6 Symbols used - Safety/Installation



CAUTION

Mounting components must meet the requirements of substructure/wall and door weight. Please read the technical information for fittings.



WARNING

Risk of breaking glass. When installing the door, support the door panel with a block of wood or similar object.



CLOSING EDGE OF DOOR

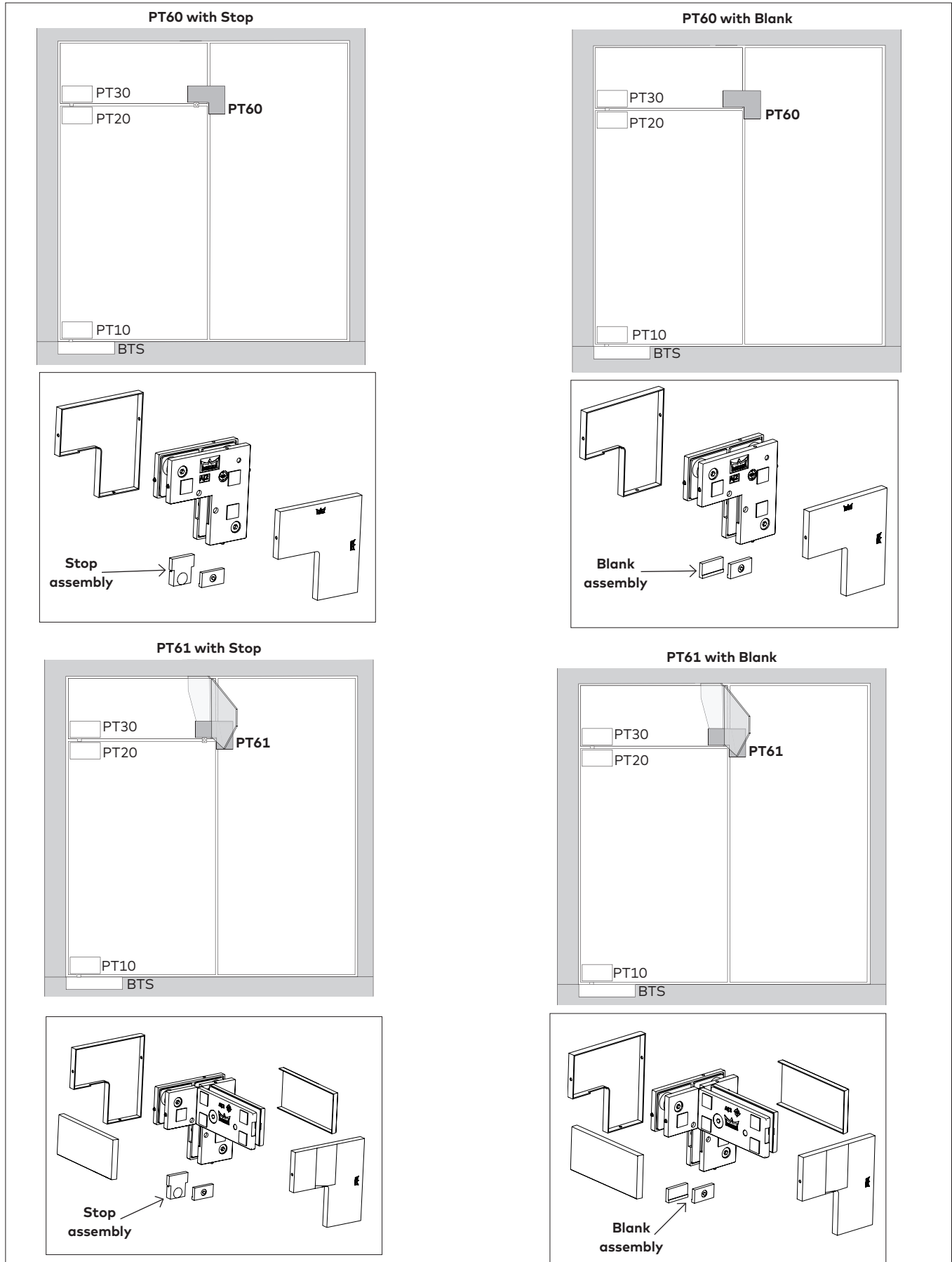
1.1.7 Maintenance, care, repair

- Immediately replace damaged parts.
- Always use original dormakaba parts.
- Clean clamping area with alcohol-based standard commercial cleaning agent before mounting the glass hardware.
- Use a damp cloth for occasional cleaning.
- Always use silicone - and oil-free cleaners (e.g. acetone).
- Check glass hardware at regular intervals for proper positioning, smooth operation and correct adjustment.
- High traffic door systems require inspection by properly qualified staff (specialized companies or installation firms.)
- Function of fittings is recommended to be inspected every 500,000 movements by a specialist.

1.1.8 Disposal

Disposal in accordance with local, state and national regulations.

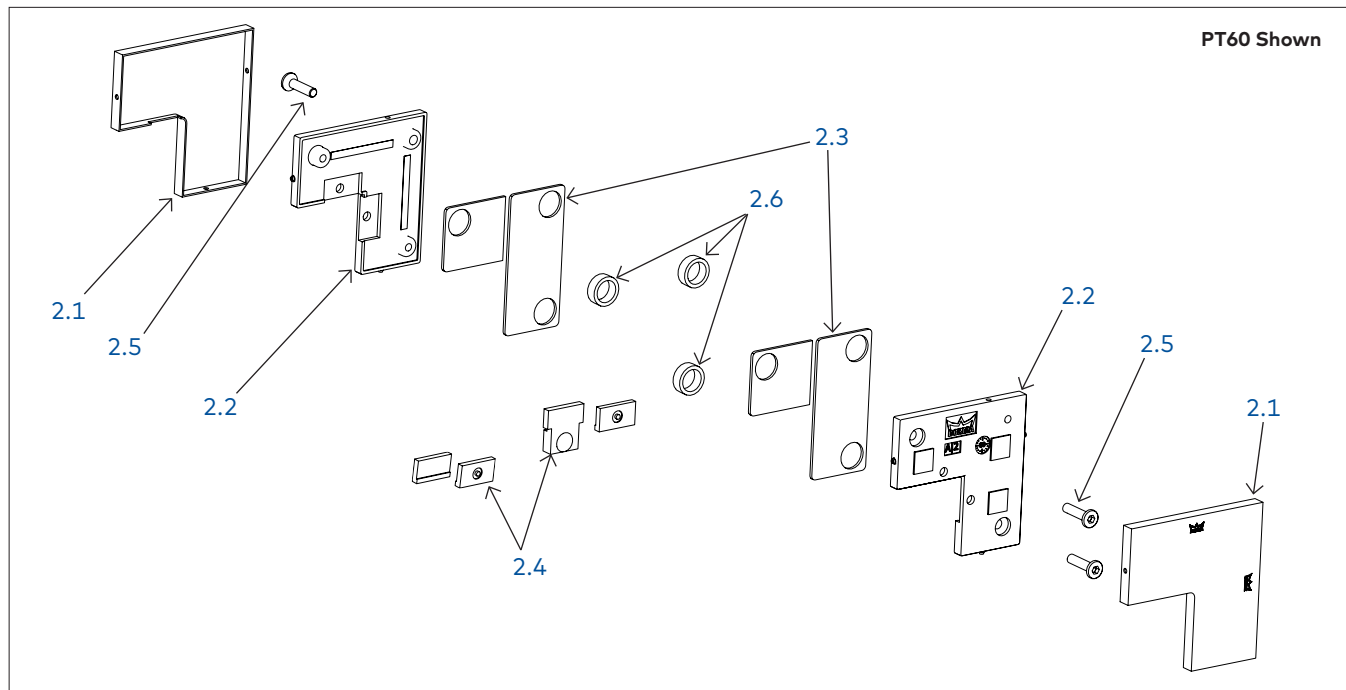
1.2 Door dimensions & options



2 Installation instructions

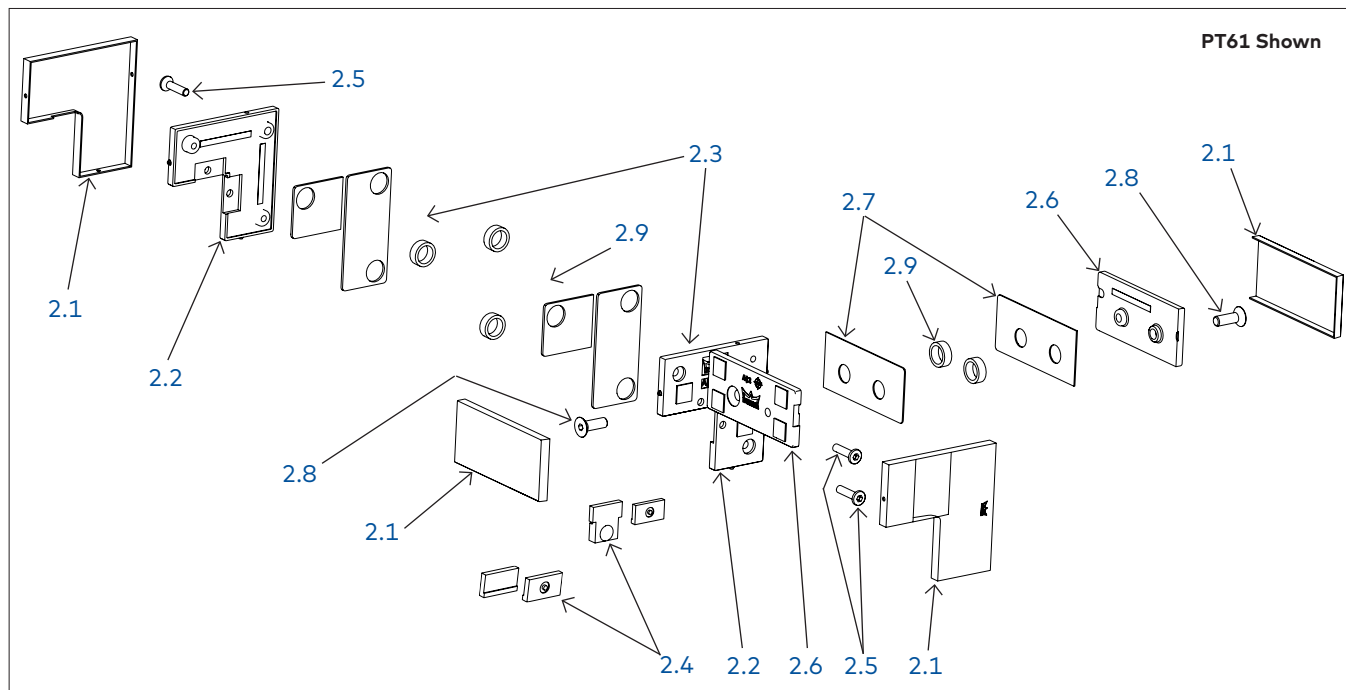
2.1 Overall

Fig. 1



- | | | |
|------------------|---|----------------------------------|
| 2.1 Covers | 2.4 Blank/stop
(application dependent) | 2.5 Fasteners (3x included) |
| 2.2 Patch plates | | 2.6 Glass grommets (3x included) |
| 2.3 Gaskets | | |

Fig. 2



- | | | |
|-------------------|---|----------------------------------|
| 2.1 Covers | 2.4 Blank/stop
(application dependent) | 2.7 Fin gaskets (x2 included) |
| 2.2 Patch plates | 2.5 Patch fasteners (3x included) | 2.8 Fin fasteners (2x included) |
| 2.3 Patch gaskets | 2.6 Fin plates | 2.9 Glass grommets (5x included) |

2.2 Install inserts and fitting gaskets

Fig. 3

NOTE: Stop assembly shown

Labels in diagram: Stop/blank assembly, Glass gasket (2mm or 3mm), Fin gasket (1mm).

2.2.1 Snap stop or blank assemblies into patch plates.

2.2.2 Adhere patches gaskets ovetop of stop/blank assemblies.

2.2.3 **If have 1/2" [13] or 3/4" [19] glass:**

- Fittings will come with 2mm [3/32"] glass gaskets.

2.2.4 **If have 3/8" [9] or 5/8" [15] glass:**

- Fittings will come with 2mm [3/32"] glass gaskets.
- PLUS additional (2) 3mm [1/8"] glass gaskets.
- Remove 2mm gaskets and replace with 3mm gaskets.

2.2.5 **If have fin glass (PT61 only):**

- Fittings will come with 1mm [1/32"] glass gaskets.

2.3 Install fittings on transom and sidelite

Fig. 4

	Torque value	Hex key size
Fittings	10 ft lbs [15Nm]	5mm

Labels in diagram: Glass grommets, Fittings.

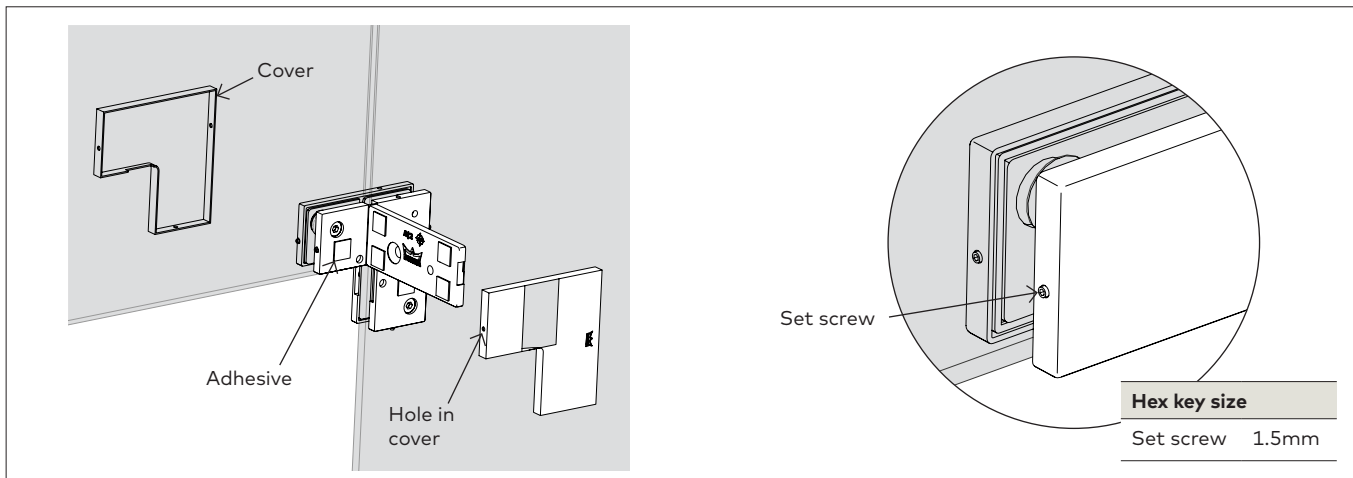
Dimension callouts: 1/16" [1.5]

- 2.3.1 Secure transom to ceiling/frame surface using product appropriate to transom weight and height.
- 2.3.2 Insert glass grommets.

- 2.3.3 Place fittings onto sidelite and transom ONLY.
- 2.3.4 Secure plates with three included M6x27 fasteners.
- 2.3.5 Tighten and torque fitting.

2.4 Install patch fitting covers

Fig. 5



2.4.1 Remove adhesive backing.

2.4.2 Align hole in cover with set screw on ends of fittings.

2.4.3 Snap covers onto patch fittings and press against adhesive.

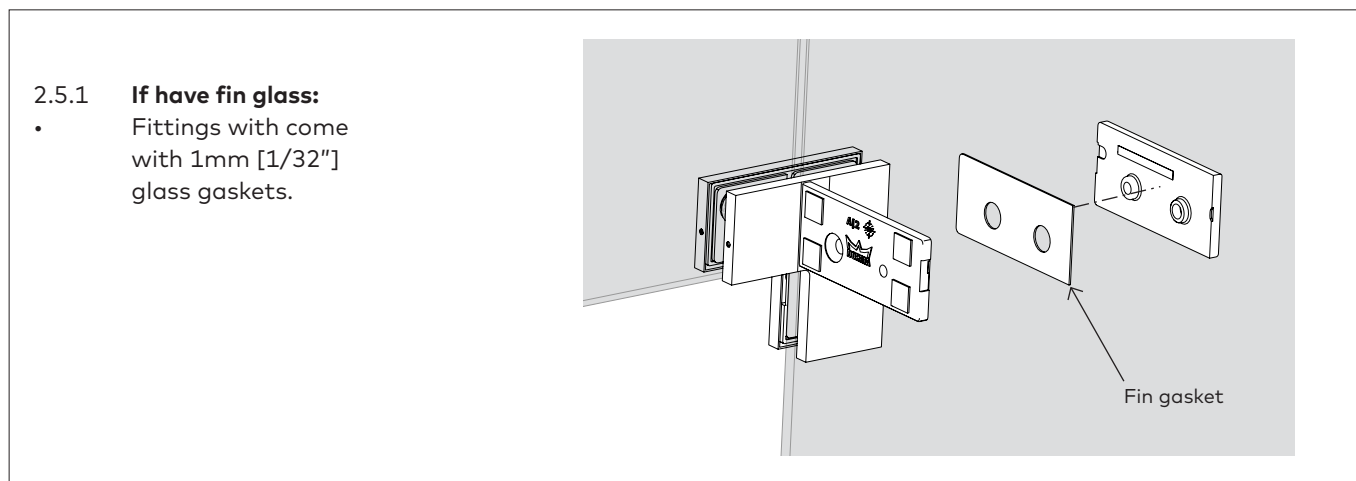
2.4.4 Back out set screw to hold cover in place.

2.4.5 **To remove:**

- Twist set screw in and remove cover.

2.5 Install fin gaskets (PT61)

Fig. 6

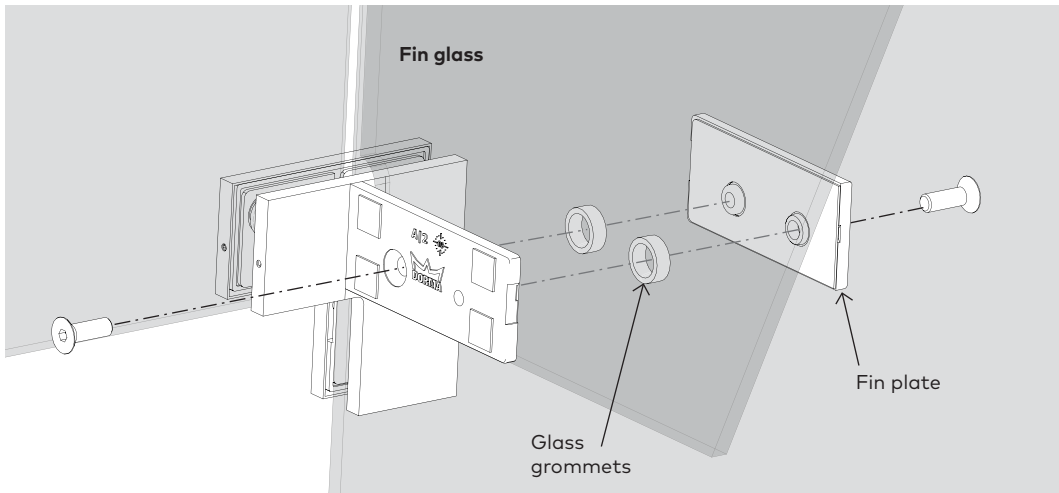


2.5.1 **If have fin glass:**

- Fittings with come with 1mm [1/32"] glass gaskets.

2.6 Install fittings onto fin

Fig. 7



The diagram shows the assembly of a fin fitting onto a fin glass. A fin plate is being secured to the fin glass with two M6x27 fasteners. Glass grommets are shown being inserted into the fin glass. Labels include 'Fin glass', 'Glass grommets', and 'Fin plate'.

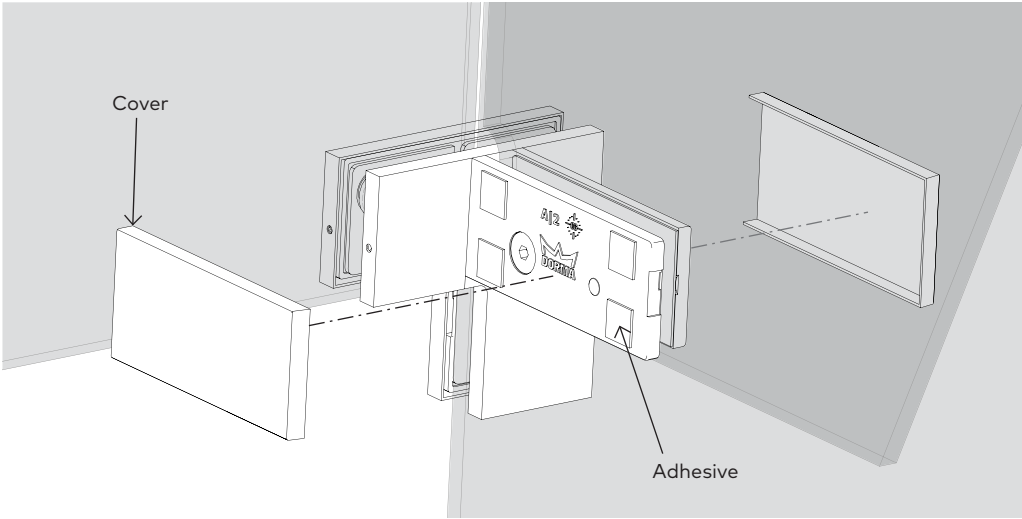
Torque value	
Fittings	10 ft lbs [15Nm]

Hex key size
5mm

2.6.1 Hold fin glass in place.
2.6.2 Insert fin glass grommet.
2.6.3 Secure fin plate with two included M6x27 fasteners.
2.6.4 Tighten and torque fitting.

2.7 Install fin covers

Fig. 8



The diagram shows the installation of a fin cover. The cover is being snapped onto the fin fitting. The adhesive backing is being removed. Labels include 'Cover' and 'Adhesive'.

2.7.1 Remove adhesive backing.
2.7.2 Snap covers onto fin fittings and press against adhesive.

