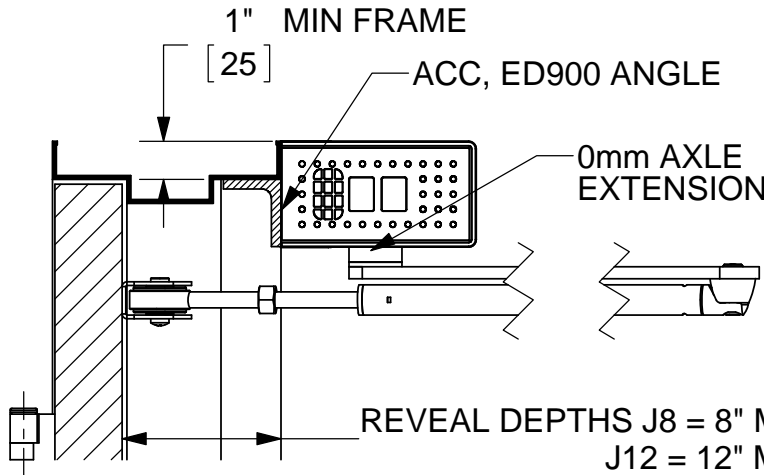
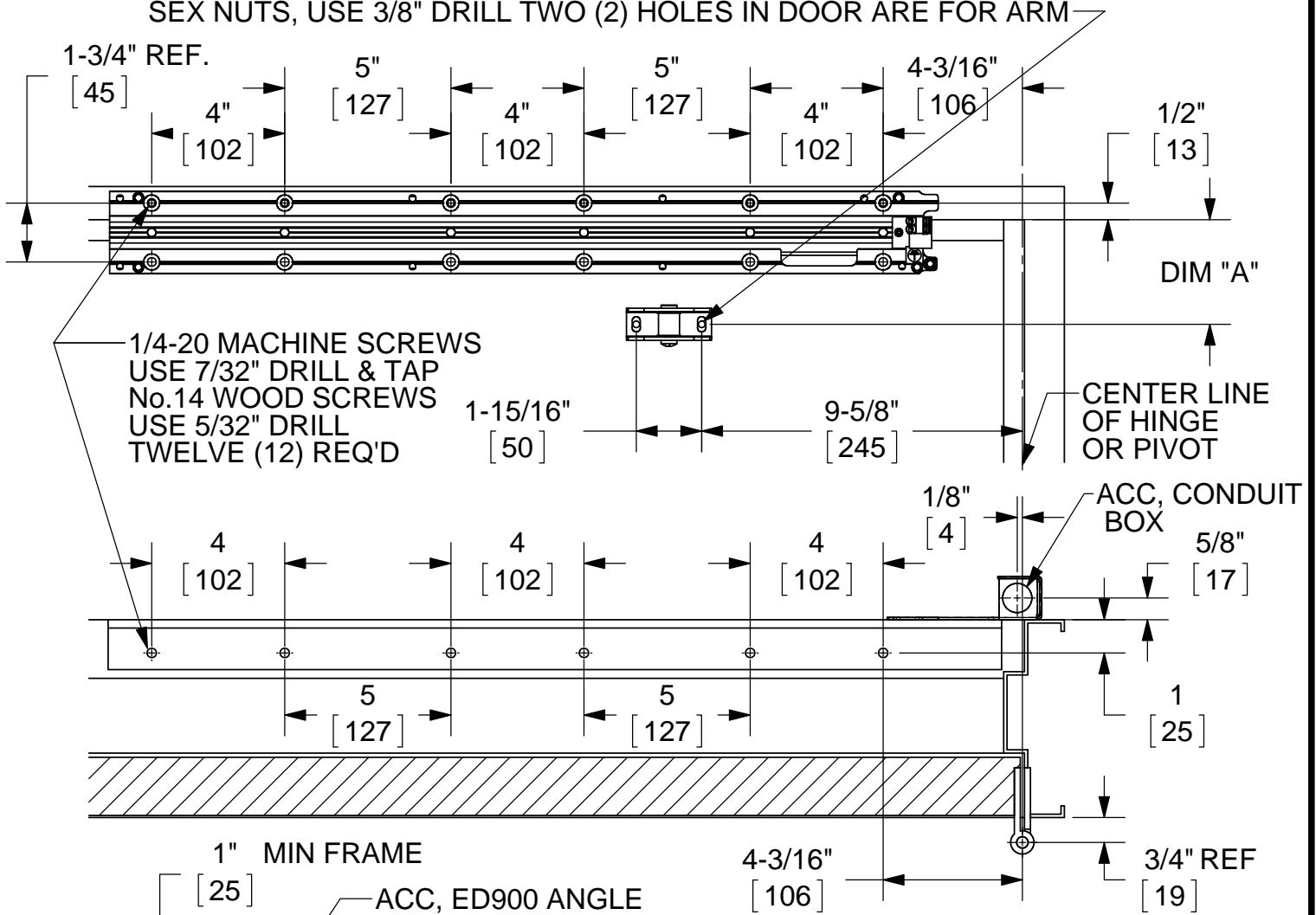


PART NO. 08281700 INS, ED900 J DROP W/ ANGLE

1/4 - 20 MACHINE SCREWS, USE 13/64" OR #7 DRILL & TAP

No. 14 WOOD SCREWS, USE 5/32" DRILL

SEX NUTS, USE 3/8" DRILL TWO (2) HOLES IN DOOR ARE FOR ARM



1. DRAWING IS NOT TO SCALE.
2. DIMENSIONS ARE IN INCHES/(mm).
3. RIGHT HAND DOOR SHOWN.
4. CAUTION: SEX NUTS ARE REQUIRED FOR ATTACHMENT OF COMPONENTS TO UNREINFORCED DOORS AND TO WOOD OR PLASTIC FACED COMPOSITE TYPE FIRE DOORS, UNLESS AN ALTERNATIVE METHOD IS IDENTIFIED IN THE INDIVIDUAL DOOR MANUFACTURER'S LISTINGS.
5. TEMPLATE IS FOR 4-1/2 X 4-1/2 BUTT HINGES & 3/4" OFFSET PIVOTS
6. MAXIMUM DEGREE OF OPENING 110.
7. MIN DOOR WIDTH 28"
8. DOORS AND FRAMES MUST BE PROPERLY REINFORCE TO WITHSTAND THE OPERATING FORCES OF A LOW ENERGY OPERATOR.

AXLE EXTENSION	DIM "A"
0mm	3-1/8" [80]
20mm	3-7/8" [100]
30mm	4-5/16" [110]
60MM	5-1/2" [140]

ED900 J DROP W/ ANGLE  
 JAMB ARM INSTALLATION - PUSH SIDE MOUNT  
 BELOW FRAME FACE 1" MIN - REVEAL DEPTH 0-12"



DORMA USA, Inc.  
 Dorma Drive  
 Reamstown, PA 17567