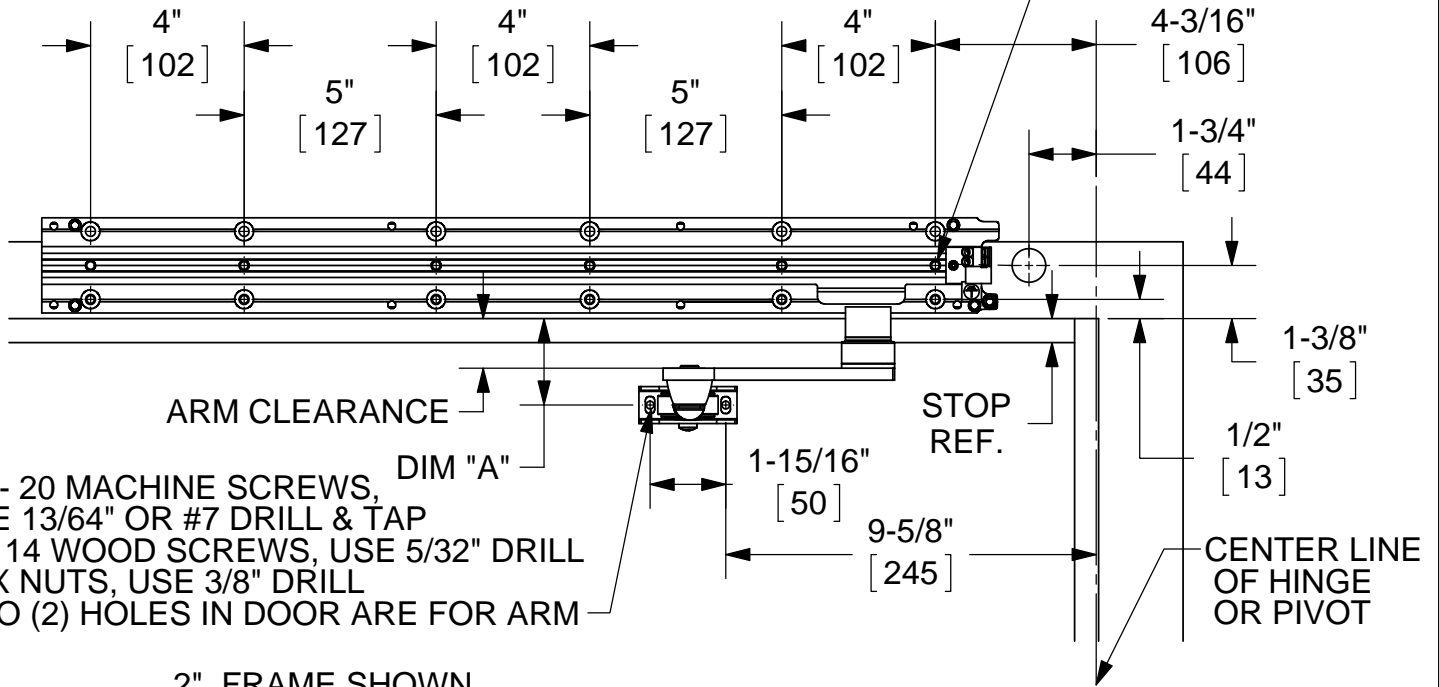
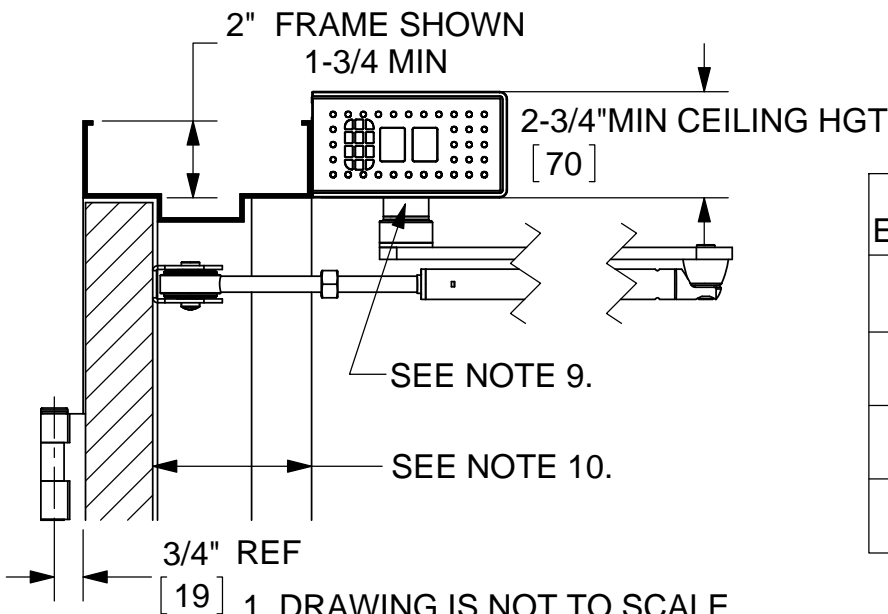


1/4-20 MACHINE SCREWS USE 7/32" DRILL & TAP  
 No.14 WOOD SCREWS USE 5/32" DRILL  
 TWELVE (12) HOLES IN FRAME FOR PLATE



1/4 - 20 MACHINE SCREWS, USE 13/64" OR #7 DRILL & TAP  
 No. 14 WOOD SCREWS, USE 5/32" DRILL  
 SEX NUTS, USE 3/8" DRILL  
 TWO (2) HOLES IN DOOR ARE FOR ARM



AXLE EXTENSION	DIM "A"	ARM CLEARANCE
0mm	1-7/16 [37]	5/16 [8]
20mm	2-1/4 [57]	1-1/8 [29]
30mm	2-5/8 [83]	1-1/2 [38]
60mm	4-7/16 [113]	2-11/16 [68]

1. DRAWING IS NOT TO SCALE
2. DIMENSIONS ARE IN INCHES/(mm)
3. RIGHT HAND DOOR SHOWN
4. CAUTION: SEX NUTS ARE REQUIRED FOR ATTACHMENT OF COMPONENTS TO UNREINFORCED DOORS AND TO WOOD OR PLASTIC FACED COMPOSITE TYPE FIRE DOORS, UNLESS AN ALTERNATIVE METHOD IS IDENTIFIED IN THE INDIVIDUAL DOOR MANUFACTURER'S LISTINGS
5. TEMPLATE IS FOR 4-1/2 X 4-1/2 BUTT HINGES & 3/4" OFFSET PIVOTS
6. MAXIMUM DEGREE OF OPENING 110
7. MIN DOOR WIDTH 28"
8. DOORS AND FRAMES MUST BE PROPERLY REINFORCE TO WITHSTAND THE OPERATING FORCES OF A LOW ENERGY OPERATOR
9. SHOWN WITH THE STANDARD 20mm AXLE EXTENSION AND 5/8" STOP
10. REVEAL DEPTHS J8 = 8" MAX  
 J12 = 12" MAX