

INSTALLATION



ES84/86 SERIES

Electric Strikes

Instructions

The ES84/86 electric strikes include two profiles:

- The ES84 (Low Profile) version features a 1-1/16"D body, accepts 1/2" or 5/8" latch projection, and is designed for narrow stile (i.e., aluminum) frames.
- The ES86 (Standard Profile) version features a 1-3/16"D body that accepts 3/4" latch projection.

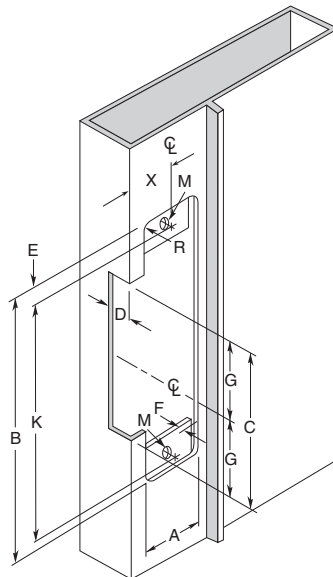
NOTE: Universal packaging (faceplate 'U') includes faceplate sizes 86S4, 86S4S, and 86S7.

1. Determine the vertical centerline of the door lock face and the horizontal centerline of the latch.
IMPORTANT: When determining the horizontal centerline observe the following:
FOR MORTISE LOCKS: Align the angled ramps of the lip bracket with the deadlock trigger of the mortise latch.
FOR CYLINDRICAL LOCKS: Align the center of the latch with the center of the strike opening.**
2. Transfer both the horizontal and vertical centerlines to the doorframe.**
3. Prepare the doorframe for cutting as shown in the appropriate drawing.
4. If required, install the 'no weld' mounting brackets per page 4.
5. Attach the strike faceplate to the lip bracket with the self-tapping screws provided. (It may be desirable to leave these screws slightly loose to facilitate insertion into the doorframe.)
6. Connect the incoming wiring from the power supply (see wiring instructions).
7. Install the door strike in the doorframe using the screws provided.

Aluminum Frames 1-3/16"D

ES86 U assembled with 86S4 faceplate

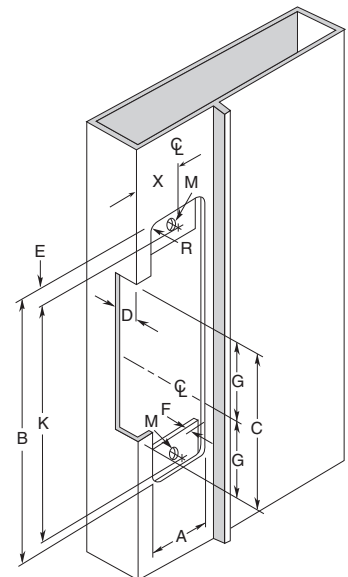
MEASUREMENT	FRACTIONAL INCHES	DECIMAL INCHES	METRIC mm
A	1-1/4	1.250	31.75
B	4-7/8	4.875	123.83
C	3-3/8	3.375	85.73
D	1-3/16	1.188	30.16
E	3/8	.375	9.53
F	1/8*	.125*	3.18*
G	1-11/16	1.688	42.86
X	Vertical Centerline of Door**		
R	5/32	0.156	3.97
K	4-1/8	4.125	104.78
M	12-24	—	—



Aluminum Frames 1-1/16"D

ES84 U assembled with 86S4 faceplate

MEASUREMENT	FRACTIONAL INCHES	DECIMAL INCHES	METRIC mm
A	1-1/4	1.250	31.75
B	4-7/8	4.875	123.83
C	3-3/8	3.375	85.73
D	1-3/32	1.094	27.78
E	3/8	.375	9.53
F	1/8*	.125*	3.18*
G	1-11/16	1.688	42.86
X	Vertical Centerline of Door**		
R	5/32	0.156	3.97
K	4-1/8	4.125	104.78
M	12-24	—	—



NOTE: Specifications subject to change without notice.

* Dimension F is measured from face of mounting tab to face of frame and equates to the thickness of the faceplate.

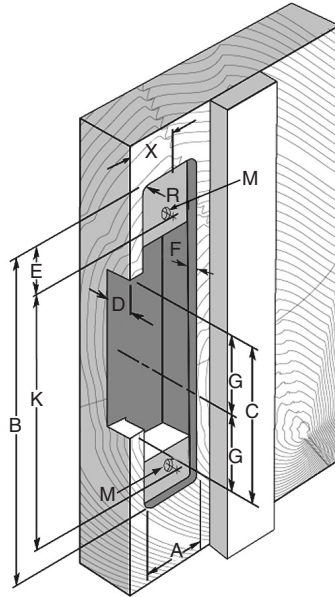
** Dimension X on the drawing is determined by the vertical centerline of the door. If the latch incorporates a deadlocking pin additional steps will be necessary to ensure proper operation of the deadlocking pin. Measure the thickness of the deadlocking pin and add this thickness to Dimension X to relocate the vertical centerline an appropriate distance on the frame.

ES84/86 Series Installation Instructions (Continued)

Aluminum & Wood Frames, 1-3/16" D

ES86 U assembled with **86S7** faceplate

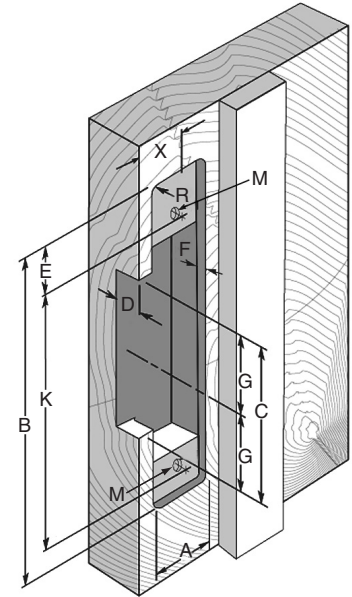
MEASUREMENT	FRACTIONAL INCHES	DECIMAL INCHES	METRIC mm
A	1-7/16	1.438	36.51
B	7-15/16	7.938	201.61
C	3-3/8	3.375	85.73
D	1-3/16	1.188	30.16
E	1/4	0.250	6.35
F	1/8*	.125*	3.18*
G	1-11/16	1.688	42.86
X	Vertical Centerline of Door**		
R	5/32	.156	3.97
K	7-7/16	7.438	188.91
M	12-24†	—	—



Aluminum & Wood Frames, 1-1/16" D

ES84 U assembled with **86S7** faceplate

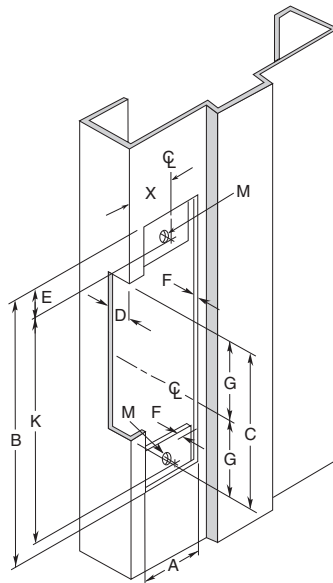
MEASUREMENT	FRACTIONAL INCHES	DECIMAL INCHES	METRIC mm
A	1-7/16	1.438	36.51
B	7-15/16	7.938	201.61
C	3-3/8	3.375	85.73
D	1-3/32	1.094	27.78
E	1/4	0.250	6.35
F	1/8*	.125*	3.18*
G	1-11/16	1.688	42.86
X	Vertical Centerline of Door**		
R	5/32	.156	3.97
K	7-7/16	7.438	188.91
M	12-24†	—	—



Hollow Metal Frames, 1-3/16" D

ES86 U assembled with **86S4S** faceplate

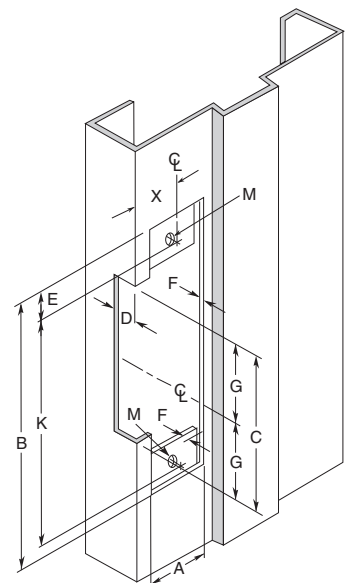
MEASUREMENT	FRACTIONAL INCHES	DECIMAL INCHES	METRIC mm
A	1-1/4	1.250	31.75
B	4-7/8	4.875	123.83
C	3-3/8	3.375	85.73
D	1-3/16	1.188	30.16
E	3/8	.375	9.53
F	1/8*	.125*	3.18*
G	1-11/16	1.688	42.86
X	Vertical Centerline of Door**		
K	4-1/8	4.125	104.78
M	12-24	—	—



Hollow Metal Frames, 1-1/16" D

ES84 U assembled with **86S4S** faceplate

MEASUREMENT	FRACTIONAL INCHES	DECIMAL INCHES	METRIC mm
A	1-1/4	1.250	31.75
B	4-7/8	4.875	123.83
C	3-3/8	3.375	85.73
D	1-3/32	1.094	27.78
E	3/8	.375	9.53
F	1/8*	.125*	3.18*
G	1-11/16	1.688	42.86
X	Vertical Centerline of Door**		
K	4-1/8	4.125	104.78
M	12-24	—	—



NOTE: Specifications subject to change without notice.

* **Dimension F** is measured from face of mounting tab to face of frame and equates to the thickness of the frame material.

** **Dimension X** on the drawing is determined by the vertical centerline of the door. If the latch incorporates a deadlocking pin additional steps will be necessary to ensure proper operation of the deadlocking pin. Measure the thickness of the deadlocking pin and add this thickness to Dimension X to relocate the vertical centerline an appropriate distance on the frame.

† For wood frame door installations, substitute #12 wood screws for dimension M.