



GLASS CENTER LOCK & STRIKE

For interior tempered glass doors



The DORMA Center Lock and Strike is a sleekly designed lockset measuring only 5" x 9", which incorporates DORMA M9000 Heavy-Duty Grade 1 Mortise Lock technology. The M9000 features advanced design concepts for extreme reliability, with high strength springs and a positive stop to reliably return the lever.

Recommended Applications

- Office Fronts
- Office Space
- Retail
- Hospitality

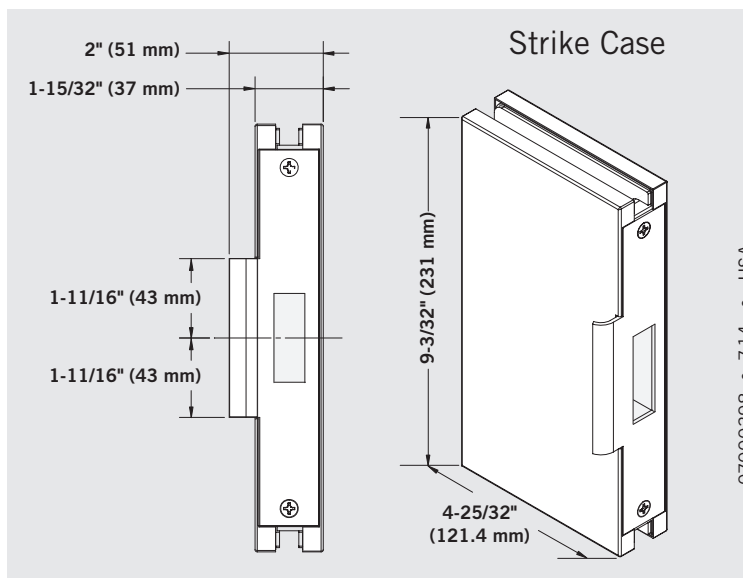
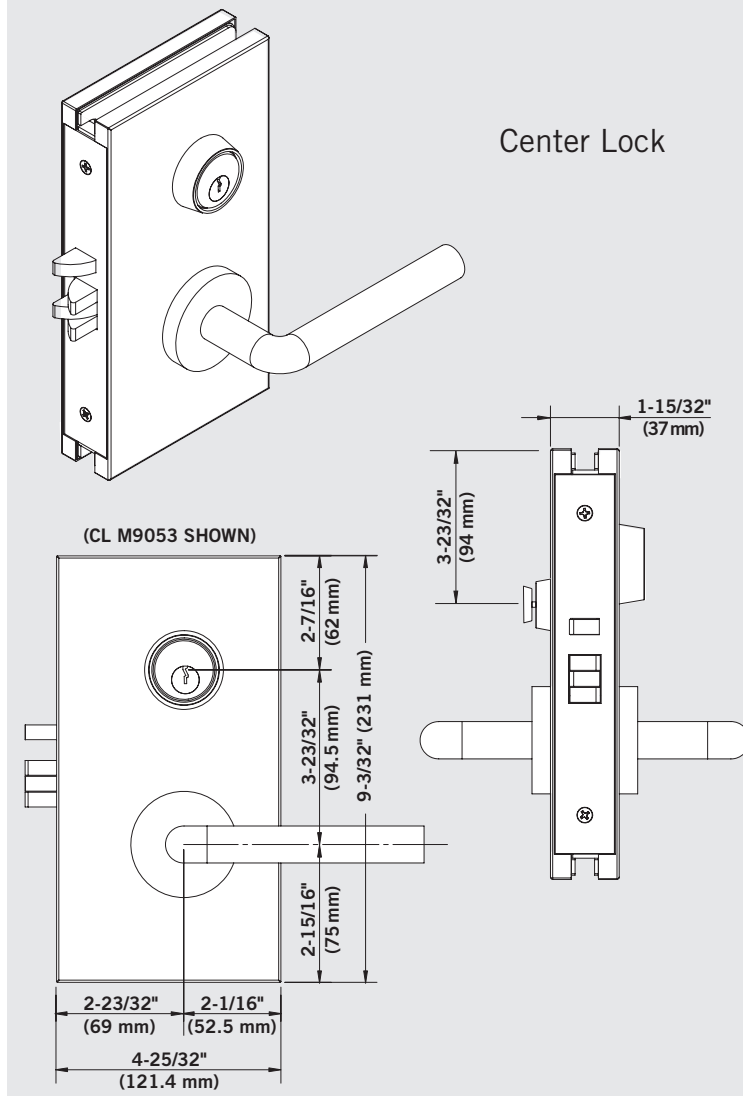


GLASS CENTER LOCK & STRIKE



Product Features

- Conventional mortise cylinder, standard, Type D, KD (Keyed Differently). Other cylinders are available as options.
- Latch bolt operated by lever on either side, depending on the inside lever function ordered.
- Wall strike available for applications that do not require housing for the strike.
- Multiple keying options available direct from DORMA.
- Quick lead times.
- Satin Stainless Steel finish.
- For warranty details, refer to **DORMA Limited Warranty** on our website at www.dorma.com/terms.



DORMA USA, Inc.
 Dorma Drive, Drawer AC
 Reamstown, PA 17567
 800-523-8483
www.dorma.com

07000398 • 7.14 • USA

