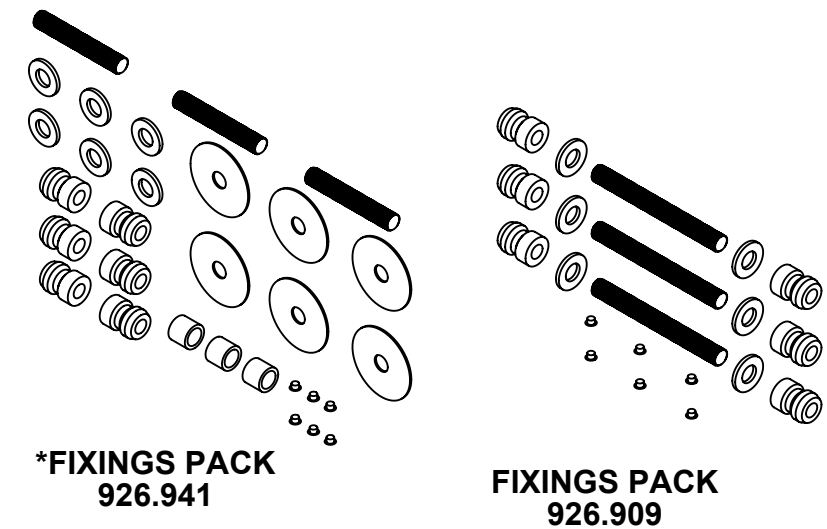
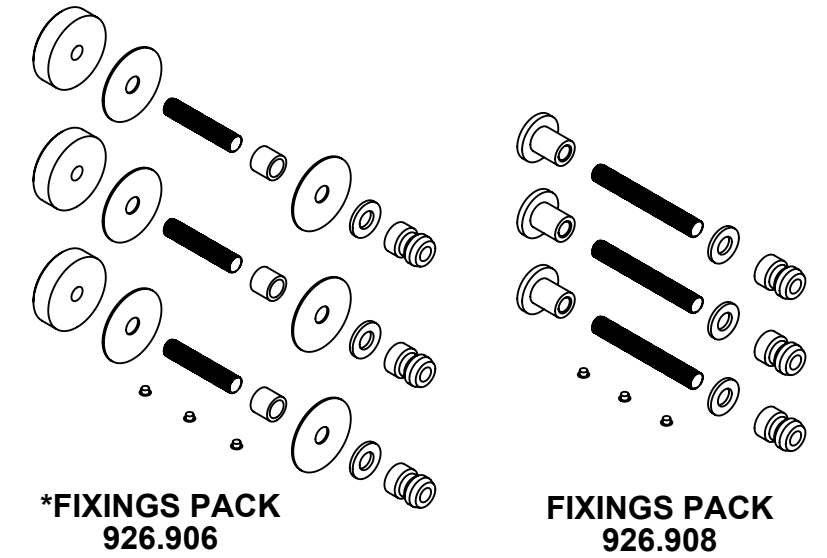
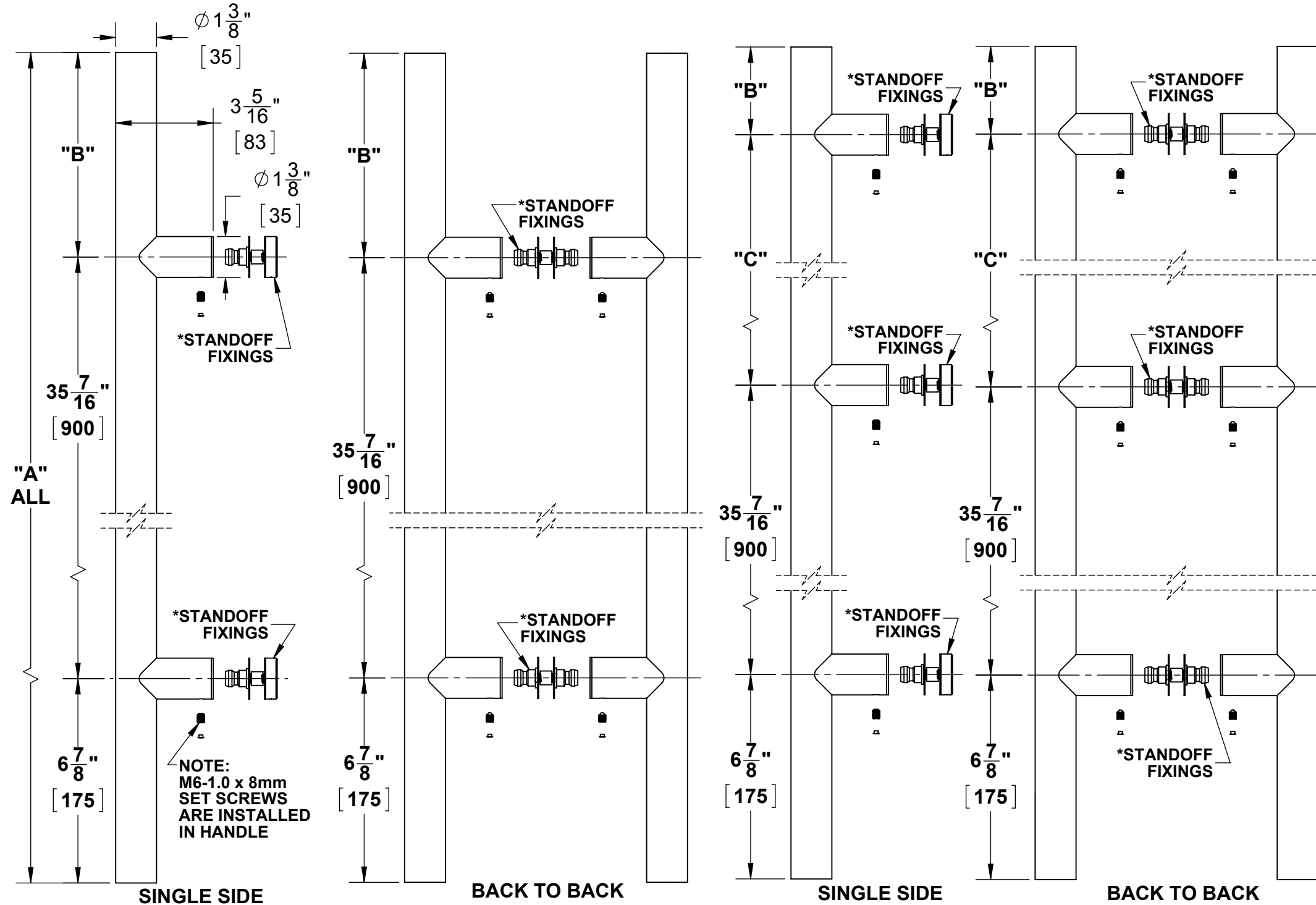


DESCRIPTION	DORMA PART NO.	QTY.	STAND-OFFS	DIM "A"	DIM "B"	DIM "C"	3/8" - 3/4" GLASS FIXINGS	1-3/4" WOOD FIXINGS	BLIND WOOD FIXINGS
NON LOCKING LADDER PULL-BACK TO BACK-49"	926.920	2	2	49-3/16"	6-7/8"	---	926.941	926.909	---
NON LOCKING LADDER PULL-BACK TO BACK-60"	926.924	2	3	60"	2-15/16"	14-3/4"	926.941	926.909	---
NON LOCKING LADDER PULL-BACK TO BACK-72"	926.922	2	3	72"	2-15/16"	26-3/4"	926.941	926.909	---
NON LOCKING LADDER PULL-BACK TO BACK-84"	926.923	2	3	84"	2-15/16"	38-3/4"	926.941	926.909	---
NON LOCKING LADDER PULL-SINGLE-49"	926.920	1	2	49-3/16"	6-7/8"	---	926.906	926.908	926.910
NON LOCKING LADDER PULL-SINGLE-60"	926.924	1	3	60"	2-15/16"	14-3/4"	926.906	926.908	926.910
NON LOCKING LADDER PULL-SINGLE-72"	926.922	1	3	72"	2-15/16"	26-3/4"	926.906	926.908	926.910
NON LOCKING LADDER PULL-SINGLE-84"	926.923	1	3	84"	2-15/16"	38-3/4"	926.906	926.908	926.910

***1/2" DIA HOLE FOR GLASS PREP**



DO NOT SCALE DRAWING		INTERNAL USE ONLY - DO NOT DISTRIBUTE	
<p>All Dimensions Are in Inches [mm]. Tolerances Unless Otherwise Specified: Decimal: .XXX = ±.005 [0.13mm] .XX = ±.010 [0.25mm] .X = ±.050 [1.27mm] Fractional & Others = ±1/32 [0.79mm] Angular: ±1/2° Hole Dia.: +.005/-0.002 [+0.13mm/-0.06mm] Thread Class: 2A / 2B All Machined Surfaces: 125 μ</p> <p>NOTE: All Perpendicular Lines Are to be Considered at 90 Degs & Must Meet Angular Tolerance as Specified.</p>			
<p>DORMA USA Inc. Dorma Drive, Reamstown, PA 17567 Phone: 717-336-3881</p>		<p>DORMA</p>	
<p>NON LOCKING LADDER PULLS</p>			
Material: SSSL	Finish: SATIN/BRUSHED	Drawn By: C. BRUBAKER	Date: 3/12/2014
<p>Third Angle Projection</p>		<p>This Drawing May Contain Information Which is Proprietary Property of DORMA USA Inc. This Drawing is Received in Confidence and its Contents May Not Be Disclosed or Reproduced Without Prior Written Consent From DORMA USA Inc.</p>	
<p>Scale 1:1</p>		<p>Sheet 1 of 1</p>	