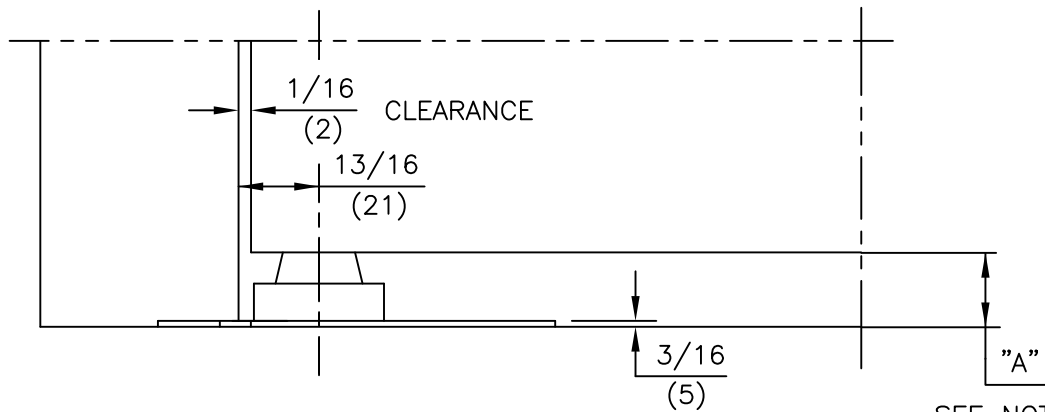


NOTES:

1. DO NOT SCALE DRAWING.
2. DIMENSIONS ARE IN INCHES \MM.
3. RIGHT HAND DOOR SHOWN.
4. FLUSH DOOR AND FRAME PREPARATION SHOWN.
5. DIMENSION "A" IS DISTANCE FROM BOTTOM OF PIVOT TO BOTTOM OF ARM. WHEN BOTTOM ARM IS INSTALLED TO THE STANDARD TEMPLATE, THIS IS ALSO EQUAL TO THE BOTTOM DOOR CLEARANCE.



SEE NOTE 5

SPINDLE SIZE	DIM. "A"
STANDARD	$1\frac{1}{16}$ (17)
5MM EXT.	$\frac{7}{8}$ (22)
10MM EXT.	$1-\frac{1}{16}$ (27)
15MM EXT.	$1-\frac{1}{4}$ (32)
20MM EXT.	$1-\frac{7}{16}$ (37)
25MM EXT.	$1-\frac{5}{8}$ (42)
30MM EXT.	$1-\frac{7}{8}$ (47)
35MM EXT.	$2-\frac{1}{16}$ (52)
40MM EXT.	$2-\frac{1}{4}$ (57)
45MM EXT.	$2-\frac{7}{16}$ (62)