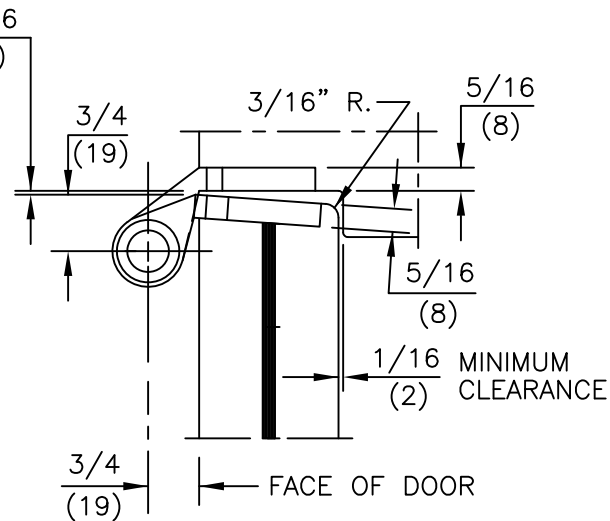


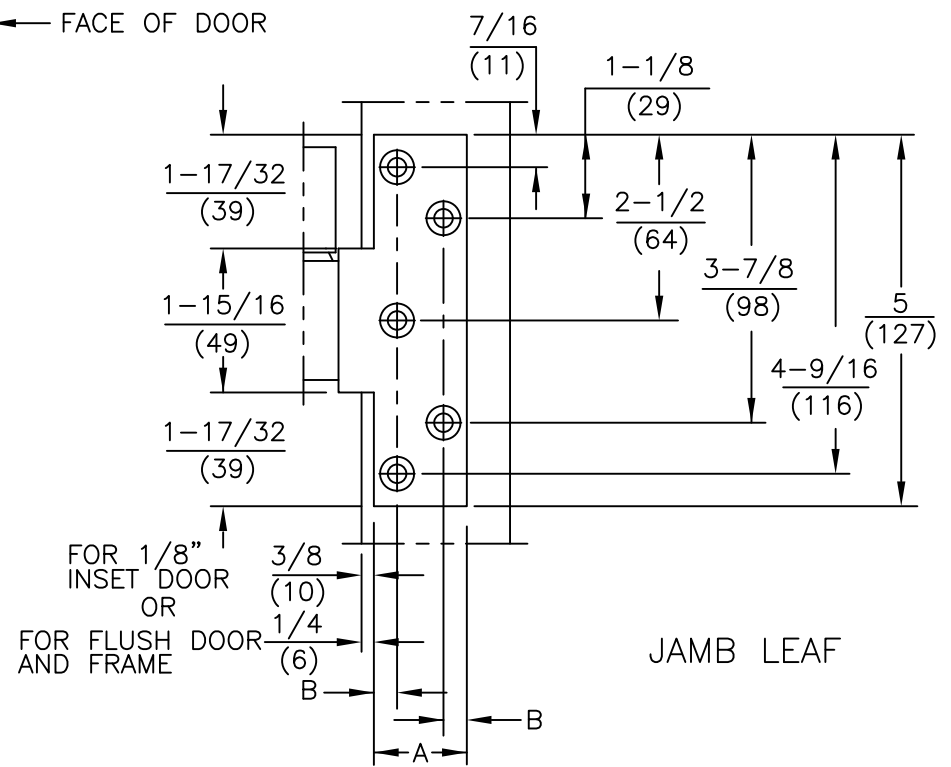
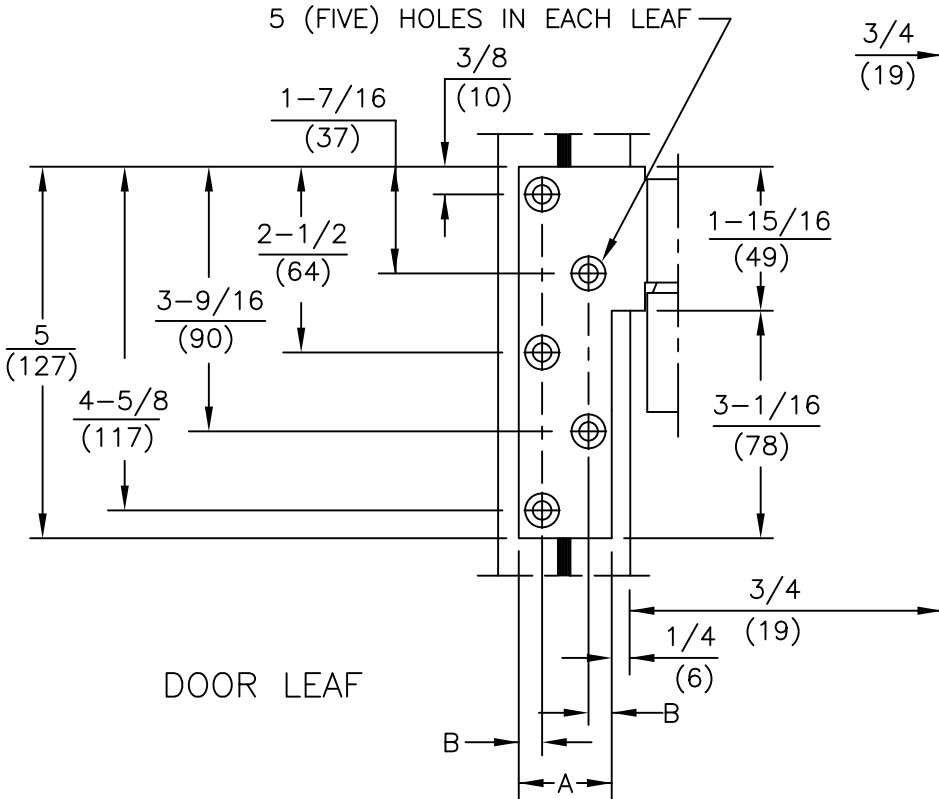
NOTES

1. DO NOT SCALE DRAWING.
 2. DIMENSIONS ARE IN INCHES/(MM).
 3. RIGHT HAND DOOR SHOWN.
 4. BEVEL HEEL EDGE OF DOOR 1/8" IN 2".
 5. ALL NECESSARY REINFORCEMENT FOR PIVOT BY OTHERS.
 6. FOR DOOR THICKNESS NOT LISTED USE NEXT SIZE SMALLER FOR PREPARATION.
 7. TEMPLATE IS BASED ON THE ASSUMPTION THAT LEAD (BY OTHERS) IS PLACED IN CENTER OF DOOR.
 8. FLUSH DOOR AND FRAME PREPARATION SHOWN.
- FOR 1/4-20 MACHINE SCREWS USE No.7 DRILL
 FOR No.14 WOOD SCREWS USE 5/32" DRILL

CLEARANCE $\frac{1}{16}$
 (2)



DOOR THICKNESS	DIM "A"	DIM "B"
1-3/4"	1-1/4	1/4
2"	1-1/2	5/16
2-1/4"	1-3/4	5/16
2-1/2"	2	5/16
3"	2-7/16	5/16



ALL SERIES: 75240, 75242, 75243
 3/4" OFFSET FULL MORTISE
 INTERMEDIATE PIVOT (HANDED)
 FOR LEAD LINED OR EXTRA HEAVY DOORS



dormakaba USA, INC.
 800 523 8483