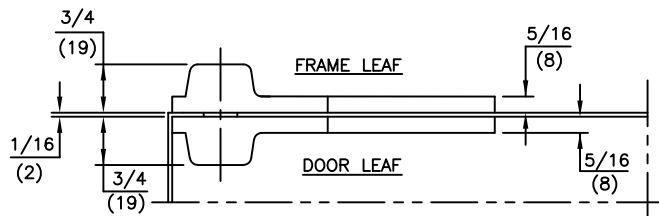
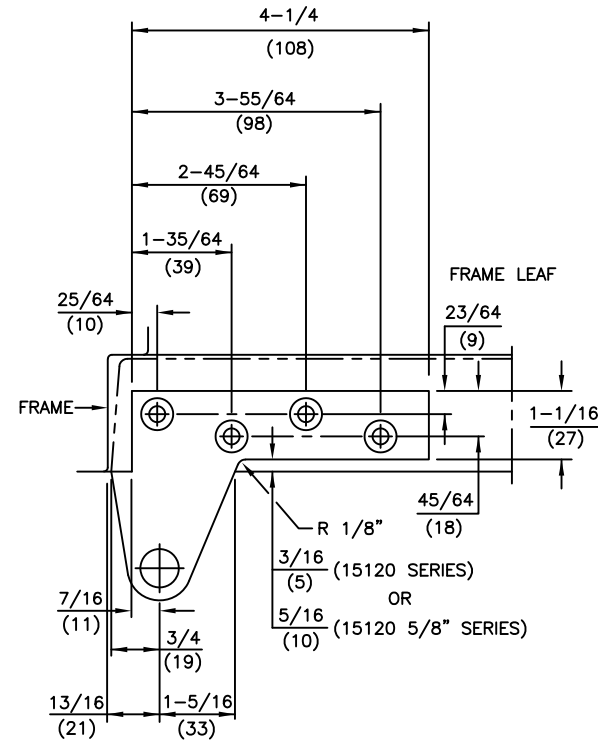
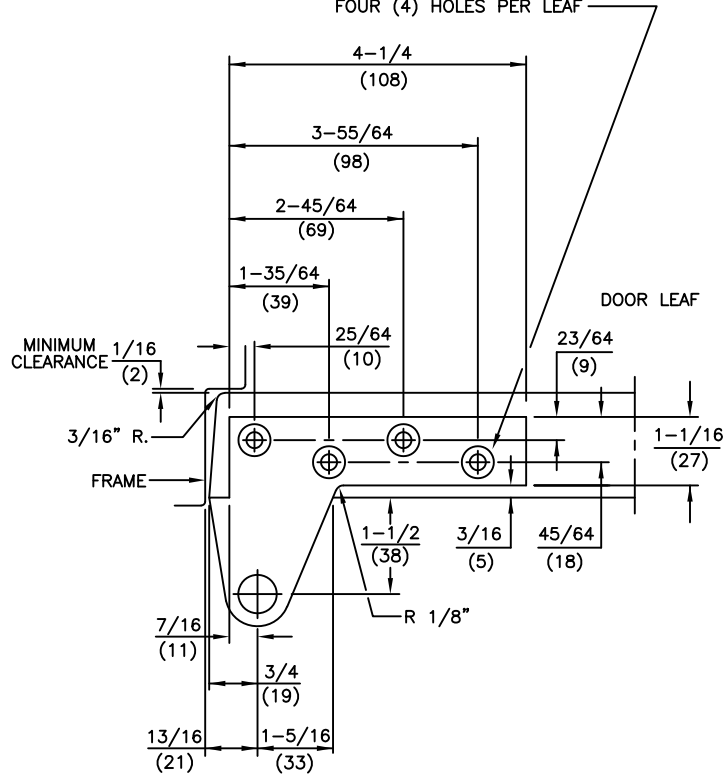


FOR 1/4-20 MACHINE SCREWS USE No.7 DRILL  
 FOR No.14 WOOD SCREWS USE 5/32" DRILL  
 FOUR (4) HOLES PER LEAF



NOTES

1. DO NOT SCALE DRAWING.
2. DIMENSIONS ARE IN INCHES/(MM).
3. RIGHT HAND DOOR SHOWN.
4. BEVEL HEEL EDGE OF DOOR 1/8" IN 2".
5. ALL NECESSARY REINFORCING FOR PIVOT BY OTHERS.

ITEM No. [15120, 15122, 15133 (FLUSH DOOR) NON-HANDED],  
 [15120 5/8, 15122 5/8, 15133 5/8 (1/8" REVEAL) HANDED]  
 1-1/2" OFFSET FULL MORTISE TOP PIVOT