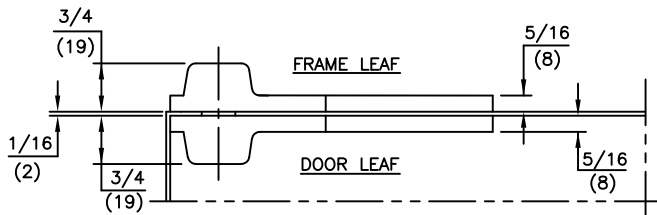
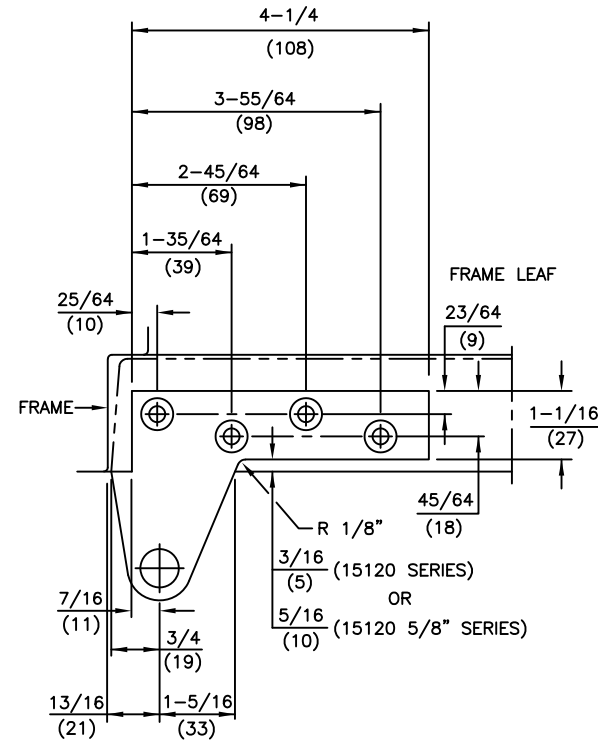
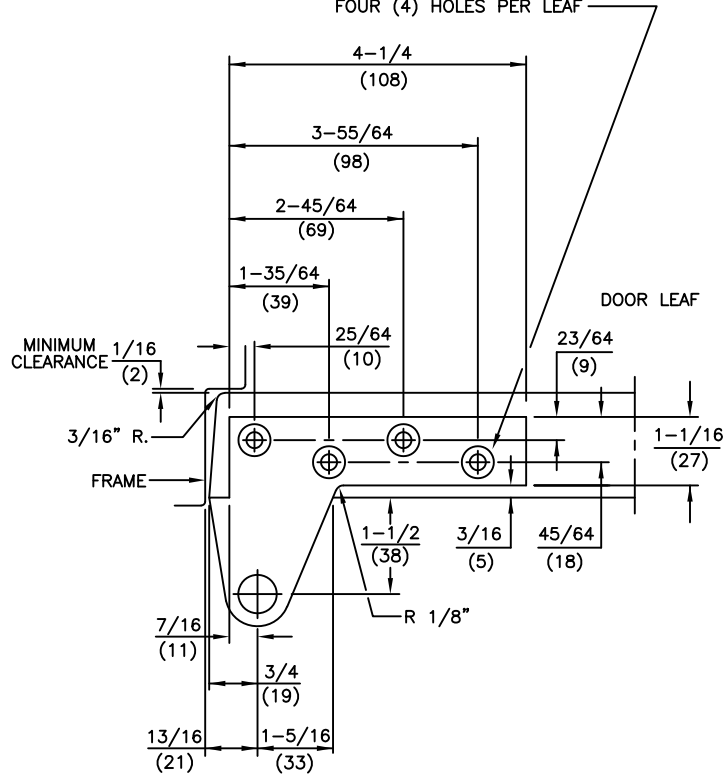


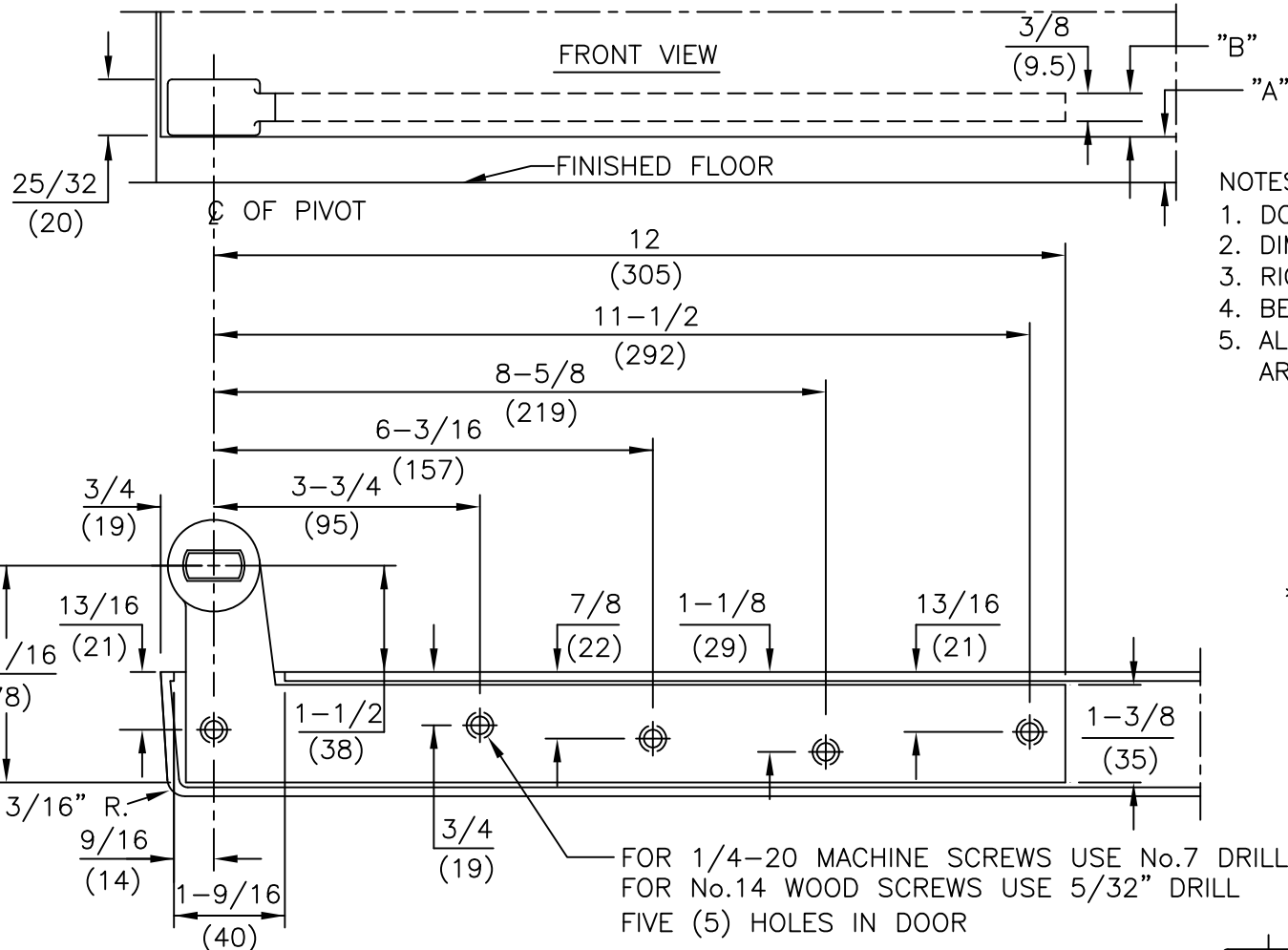
FOR 1/4-20 MACHINE SCREWS USE No.7 DRILL  
 FOR No.14 WOOD SCREWS USE 5/32" DRILL  
 FOUR (4) HOLES PER LEAF



NOTES

1. DO NOT SCALE DRAWING.
2. DIMENSIONS ARE IN INCHES/(MM).
3. RIGHT HAND DOOR SHOWN.
4. BEVEL HEEL EDGE OF DOOR  $1/8"$  IN  $2"$ .
5. ALL NECESSARY REINFORCING FOR PIVOT BY OTHERS.

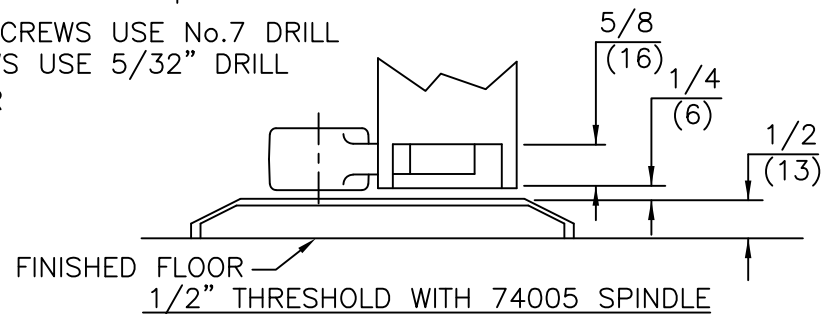
ITEM No. [15120, 15122, 15133 (FLUSH DOOR) NON-HANDED],  
 [15120 5/8, 15122 5/8, 15133 5/8 (1/8" REVEAL) HANDED]  
 1-1/2" OFFSET FULL MORTISE TOP PIVOT



**NOTES**

1. DO NOT SCALE DRAWING.
2. DIMENSIONS ARE IN INCHES/(MM).
3. RIGHT HAND DOOR SHOWN.
4. BEVEL HEEL EDGE OF DOOR 1/8" IN 2".
5. ALL NECESSARY REINFORCEMENT FOR ARM BY OTHERS.

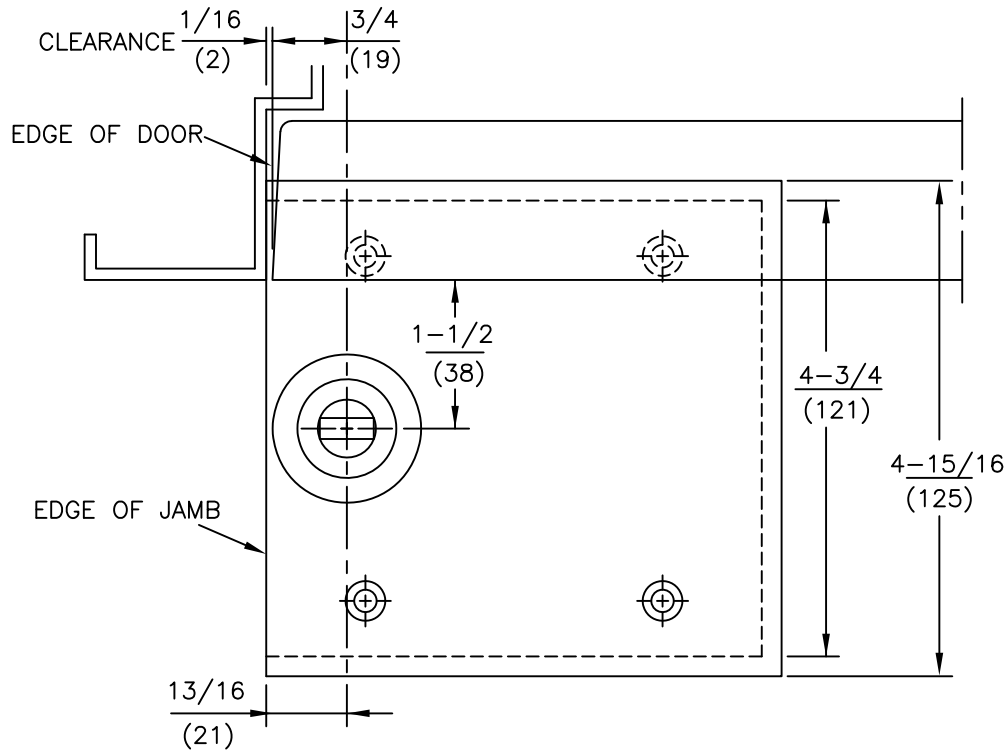
| SPINDLE EXT. | "A" CLEARANCE | "B" MORTISE DEPTH |
|--------------|---------------|-------------------|
| 74003        | 3/8"          | 3/4"              |
| 74003        | 9/16"         | 9/16"             |
| * STD.74005  | 3/4"          | 9/16"             |
| 74007        | 7/8"          | 9/16"             |
| 74010        | 1"            | 9/16"             |
| 74012        | 1-1/16"       | 9/16"             |
| 74015        | 1-1/8"        | 9/16"             |
| 74020        | 1-3/8"        | 9/16"             |
| 74025        | 1-9/16"       | 9/16"             |
| 74030        | 1-3/4"        | 9/16"             |



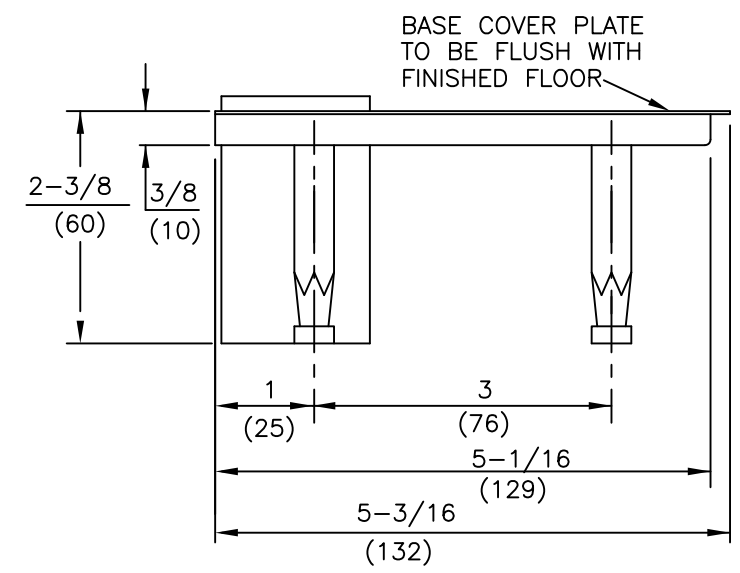
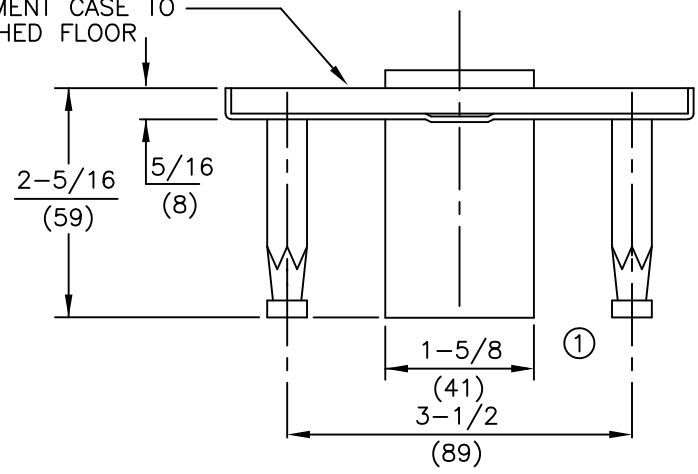
ITEM No. 15323  
 1-1/2" OFFSET BOTTOM ARM  
 FOR NON-FIRE OR 3 HR. RATED DOORS  
 FOR USE WITH 7471HD FLOOR BEARING

NOTES:

1. DO NOT SCALE DRAWING.
2. DIMENSIONS ARE IN INCHES\MM.
3. RIGHT HAND DOOR SHOWN.



TOP SURFACE OF CEMENT CASE TO BE FLUSH WITH FINISHED FLOOR



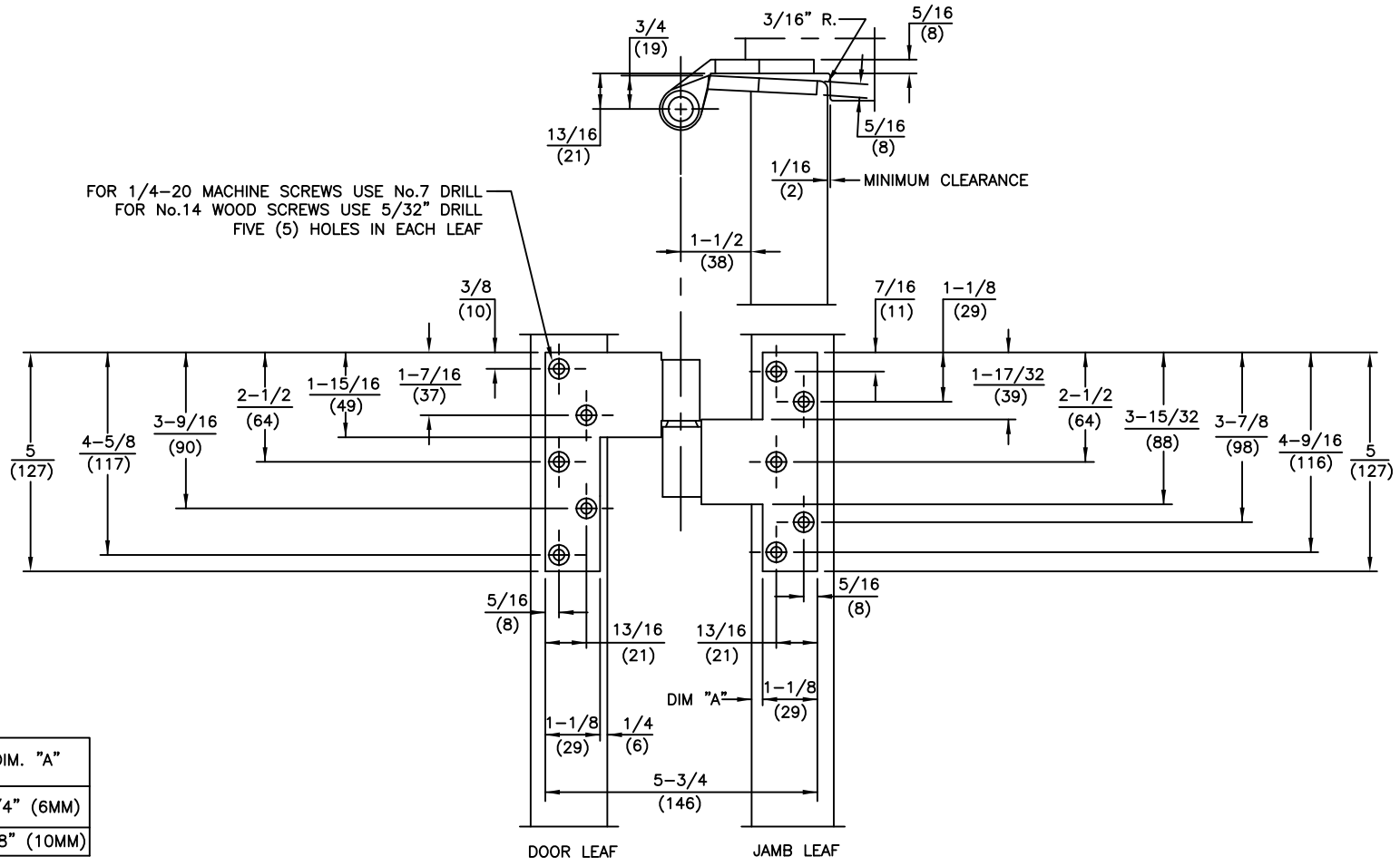
BASE COVER PLATE TO BE FLUSH WITH FINISHED FLOOR

ITEM No. 7471HD FLOOR BEARING  
 1-1/2" OFFSET HEAVY DUTY FLOOR BEARING INSTALLATION  
 FOR USE WITH 15323 BOTTOM ARM



NOTES

1. DO NOT SCALE DRAWING.
2. DIMENSIONS ARE IN INCHES/(MM).
3. RIGHT HAND DOOR SHOWN.
4. BEVEL HEEL EDGE OF DOOR 1/8" IN 2".
5. ALL NECESSARY REINFORCEMENT FOR PIVOT BY OTHERS.



ITEM No. 15220, 15222, 15233  
 1-1/2" OFFSET FULL MORTISE  
 INTERMEDIATE PIVOT (HANDED)



dormakaba USA, INC.  
 800 523 8483