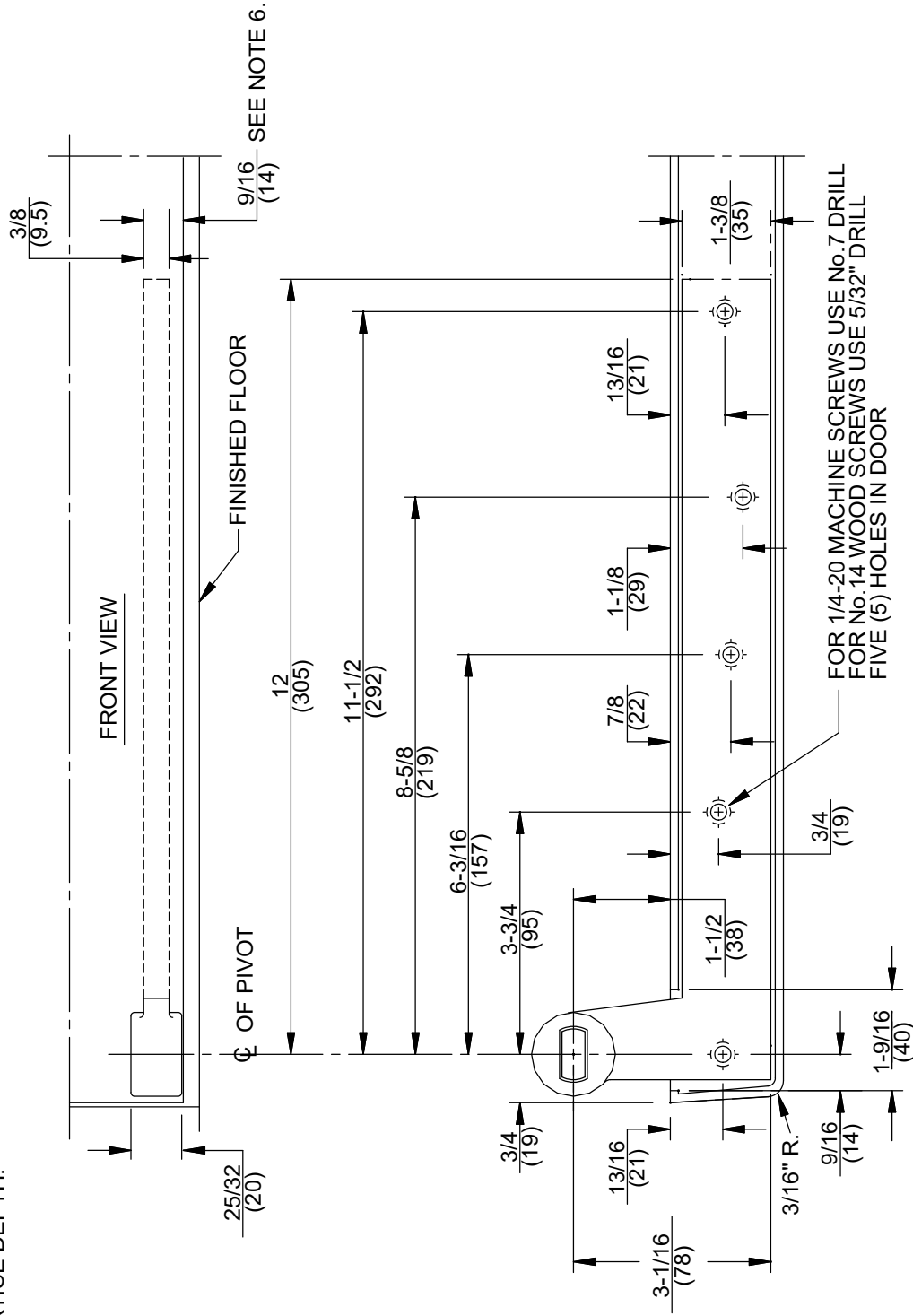
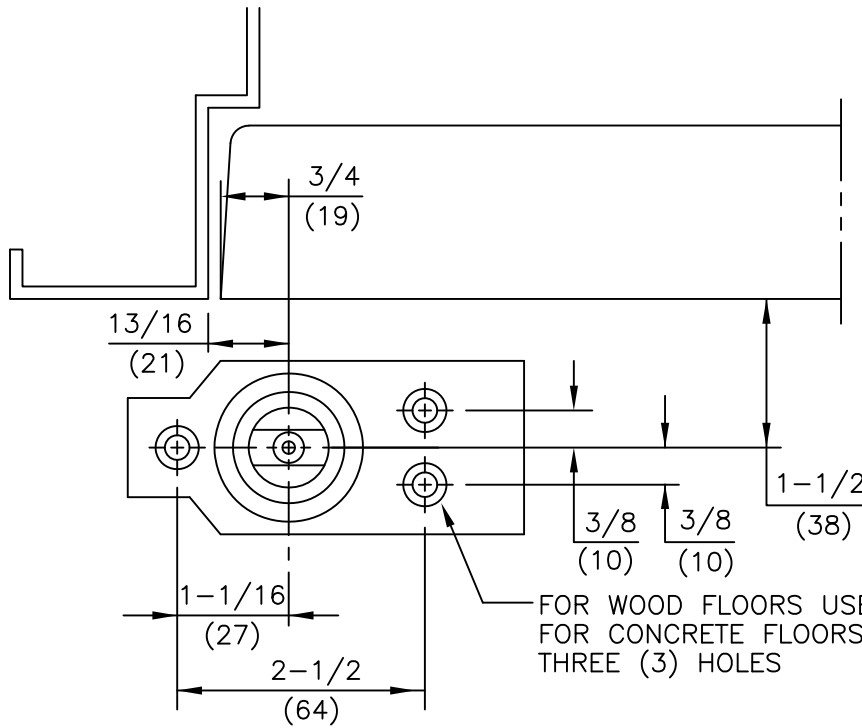


NOTES

1. DO NOT SCALE DRAWING.
2. DIMENSIONS ARE IN INCHES/(MM).
3. RIGHT HAND DOOR SHOWN.
4. BEVEL HEEL EDGE OF DOOR 1/8" IN 2".
5. ALL NECESSARY REINFORCING FOR PIVOT BY OTHERS.
6. STANDARD MORTISE DEPTH.



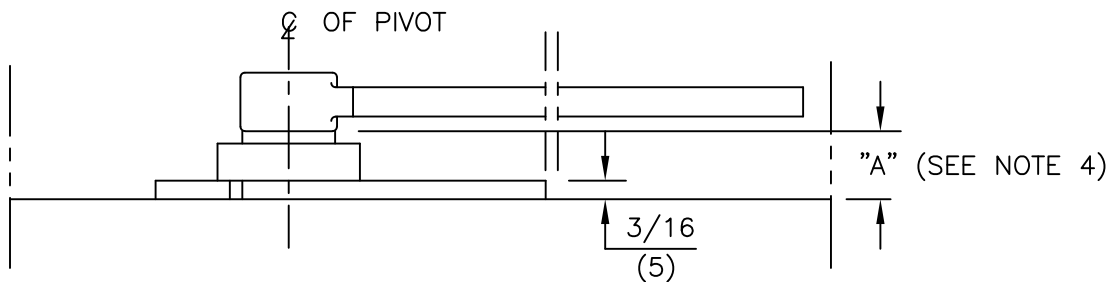
BOTTOM VIEW



NOTES:

1. DO NOT SCALE DRAWING.
2. DIMENSIONS ARE IN INCHES\MM.
3. RIGHT HAND DOOR SHOWN.
4. DIMENSION "A" IS DISTANCE FROM BOTTOM OF PIVOT TO BOTTOM OF ARM. WHEN BOTTOM ARM IS INSTALLED TO THE STANDARD TEMPLATE, THIS IS ALSO EQUAL TO THE BOTTOM DOOR CLEARANCE.

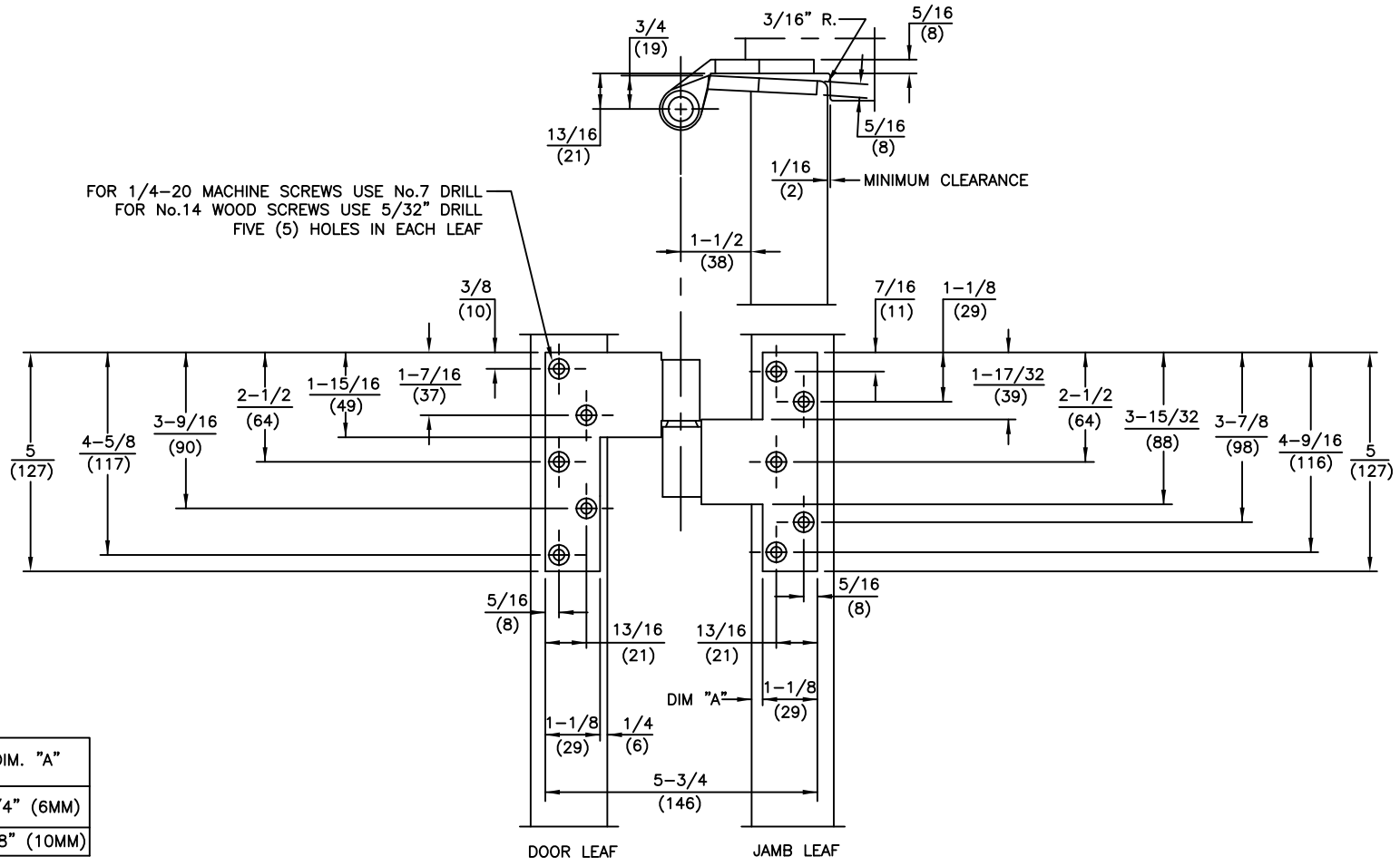
SPINDLE SIZE	DIM. "A"
STANDARD	11/16 (17)
5MM EXT.	7/8 (22)
10MM EXT.	1-1/16 (27)
15MM EXT.	1-1/4 (32)
20MM EXT.	1-7/16 (37)
25MM EXT.	1-5/8 (42)
30MM EXT.	1-7/8 (47)
35MM EXT.	2-1/16 (52)
40MM EXT.	2-1/4 (57)
45MM EXT.	2-7/16 (62)



④

NOTES

1. DO NOT SCALE DRAWING.
2. DIMENSIONS ARE IN INCHES/(MM).
3. RIGHT HAND DOOR SHOWN.
4. BEVEL HEEL EDGE OF DOOR 1/8" IN 2".
5. ALL NECESSARY REINFORCEMENT FOR PIVOT BY OTHERS.



DOOR/FRAME CONDITION	DIM. "A"
FLUSH DOOR AND FRAME	1/4" (6MM)
1/8" REVEAL	3/8" (10MM)

ITEM No. 15220, 15222, 15233
 1-1/2" OFFSET FULL MORTISE
 INTERMEDIATE PIVOT (HANDED)

