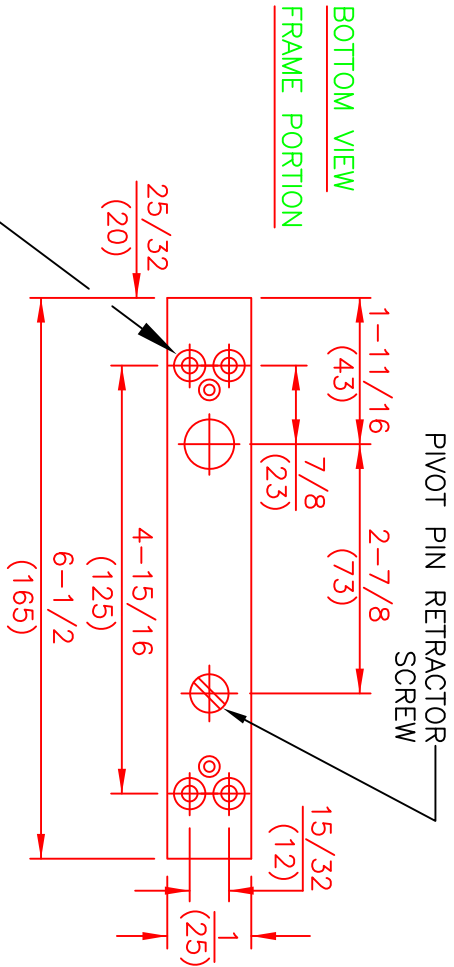
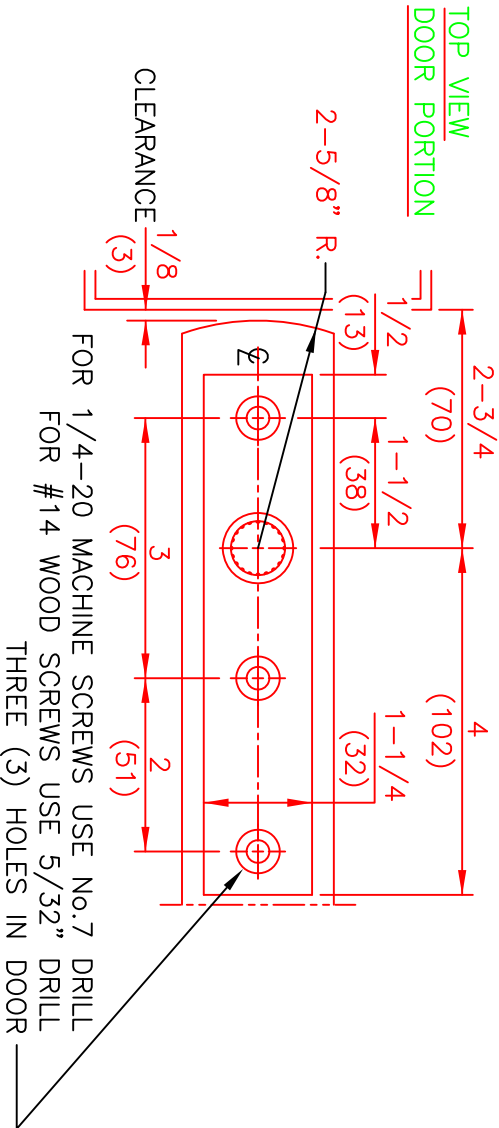
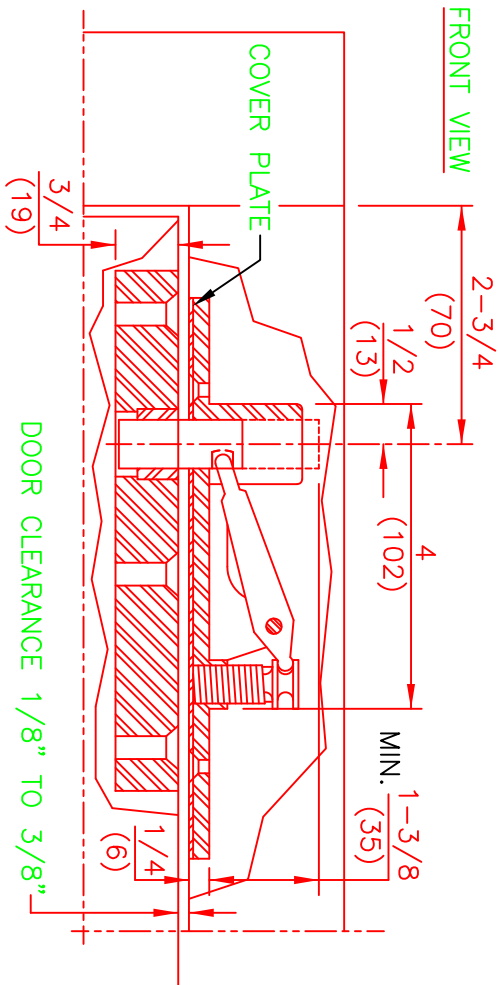


- NOTES**
1. DO NOT SCALE DRAWING.
  2. DIMENSIONS ARE IN INCHES/(MM).
  3. ALL NECESSARY REINFORCING FOR PIVOTS BY OTHERS.
  4. PIVOT PIN DIAMETER .625.

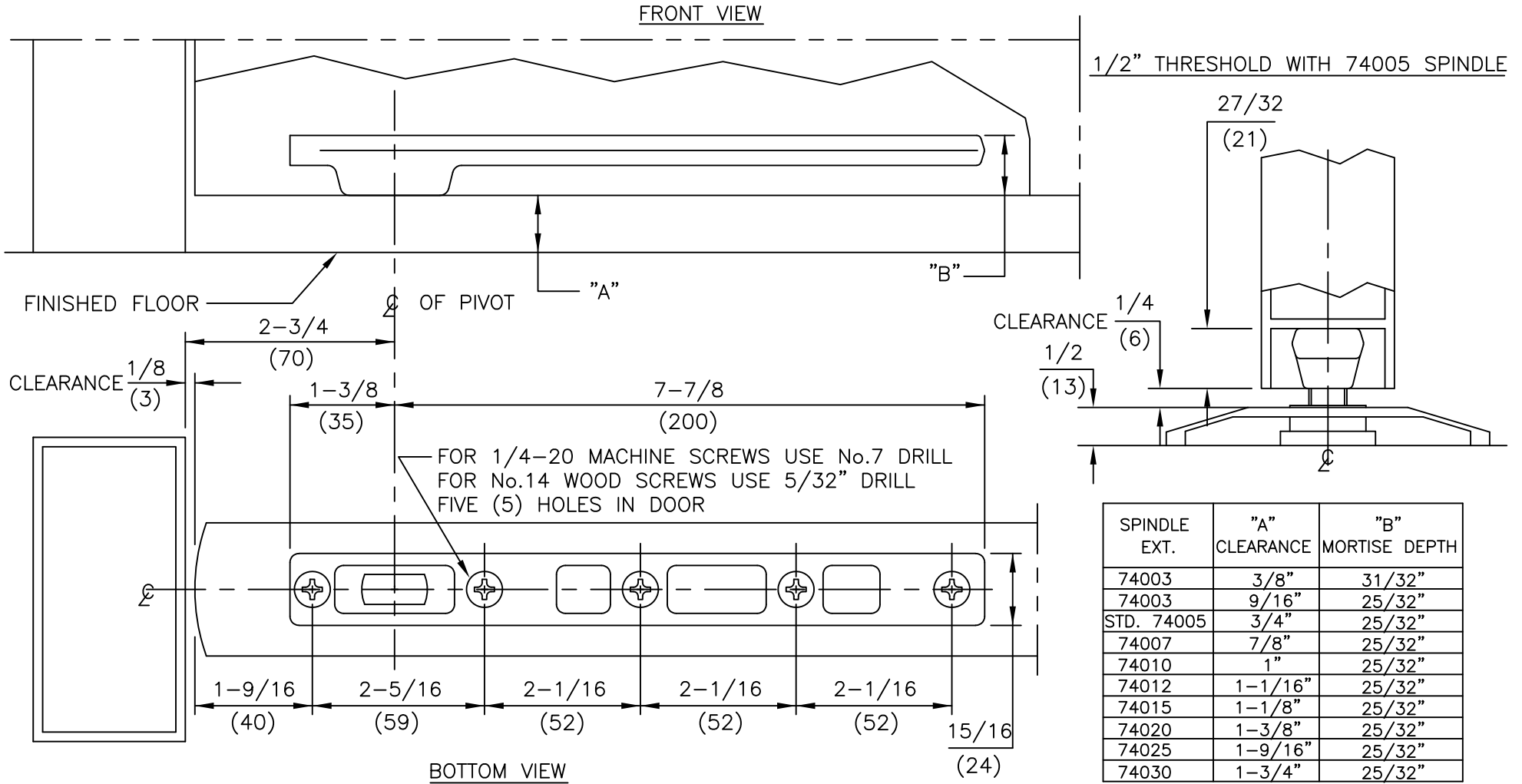


FOR 10-32 MACHINE SCREWS USE No.21 DRILL  
 FOR WOOD SCREWS USE No.29 DRILL  
 FOUR (4) HOLES FOR MOUNTING PIVOT



NOTES

1. DO NOT SCALE DRAWING.
2. DIMENSIONS ARE IN INCHES/(MM).
3. ALL NECESSARY REINFORCEMENT FOR ARM BY OTHERS.



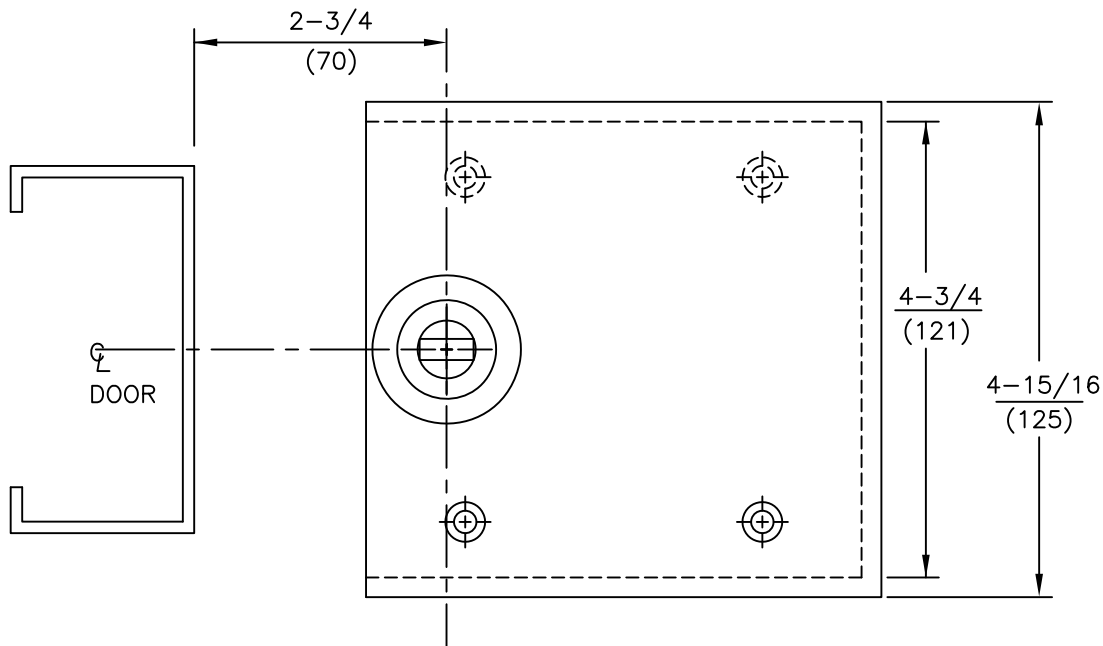
ITEM No. 7421  
 CENTER HUNG BOTTOM ARM  
 FOR USE WITH 7471HD FLOOR BEARING



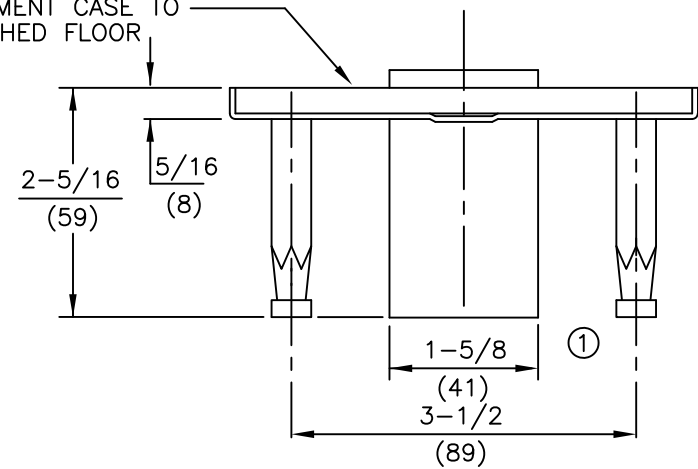
dormakaba USA, INC.  
 800 523 8483

NOTES:

1. DO NOT SCALE DRAWING.
2. DIMENSIONS ARE IN INCHES\MM.
3. RIGHT HAND DOOR SHOWN.

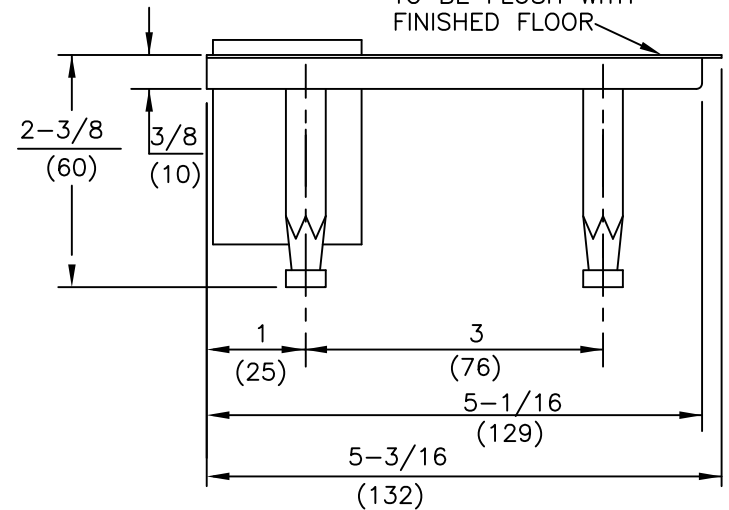


TOP SURFACE OF CEMENT CASE TO BE FLUSH WITH FINISHED FLOOR



WITH THRESHOLD

BASE COVER PLATE TO BE FLUSH WITH FINISHED FLOOR



WITHOUT THRESHOLD