

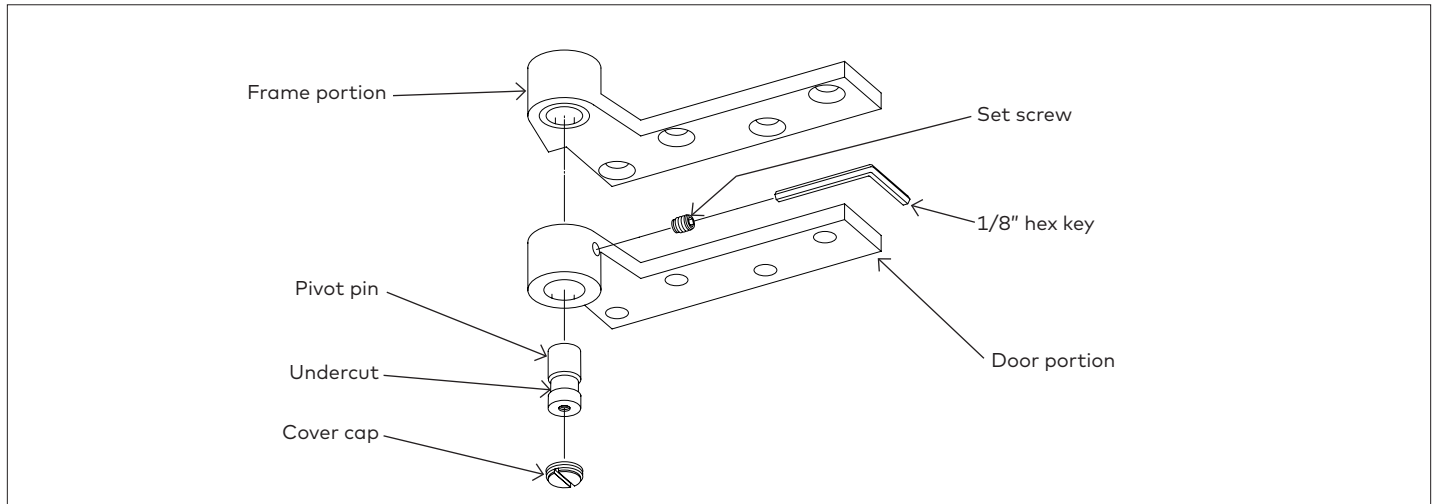
Installation Instructions

3/4" Offset Top Pivot

For use with 75120, 75122, 75133

1.1 Install pivot

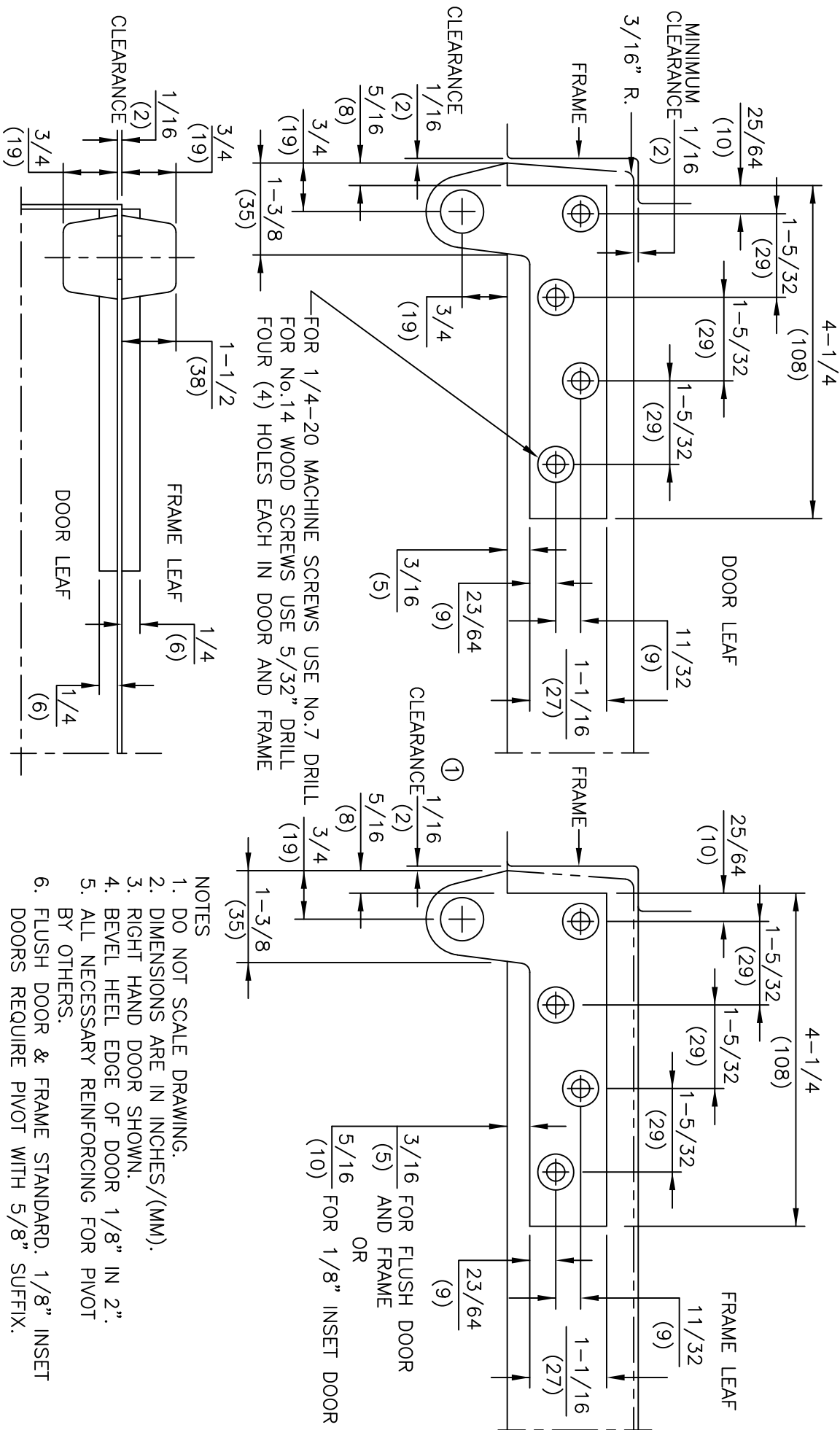
Fig. 1



- 1.1.1 Prepare door and frame according to template.
- 1.1.2 Remove door portion cover cap.
- 1.1.3 Remove set screw.
- 1.1.4 Remove pivot pin.
- 1.1.5 Fasten pivot to door and frame.
- 1.1.6 Install door.

- 1.1.7 Align door and frame portion of top pivot.
- 1.1.8 Install pivot pin making sure undercut area of pin aligns with set screw.
- 1.1.9 Tighten set screw securely.
- 1.1.10 Install door portion cover cap.

NOTE: Depending on type of pivot and hand of door, set screw may be in door portion or frame portion of pivot. However, pivot will always be removeable through door portion.



- NOTES
1. DO NOT SCALE DRAWING.
 2. DIMENSIONS ARE IN INCHES/(MM).
 3. RIGHT HAND DOOR SHOWN.
 4. BEVEL HEEL EDGE OF DOOR 1/8" IN 2".
 5. ALL NECESSARY REINFORCING FOR PIVOT BY OTHERS.
 6. FLUSH DOOR & FRAME STANDARD. 1/8" INSET DOORS REQUIRE PIVOT WITH 5/8" SUFFIX.

ITEM No. [75120, 75122, 75133 (DOOR FLUSH WITH FRAME) NON-HANDED]
 [75120 5/8, 75122 5/8, 75133 5/8 (DOOR INSET 1/8" FROM FRAME) HANDED]
 3/4" OFFSET FULL MORTISE TOP PIVOT

