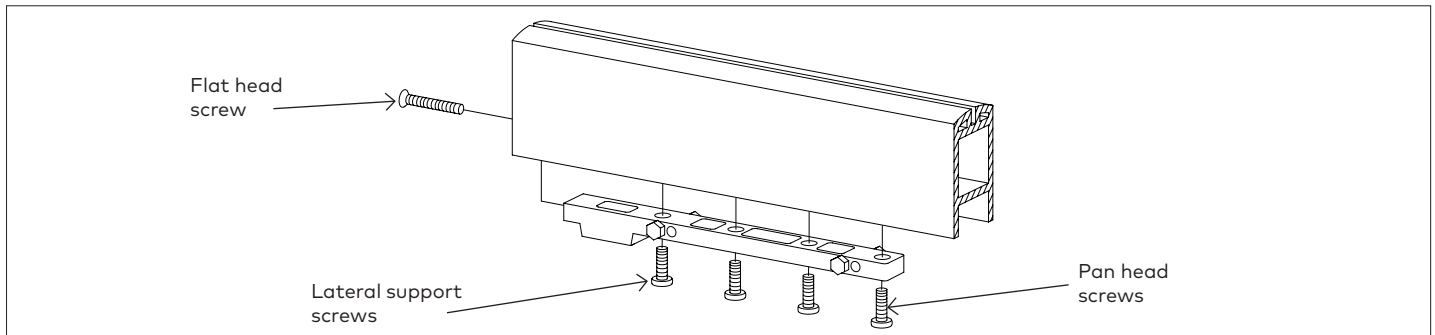


Installation Instructions

Center Hung Bottom Arm 7422 (Aluminum)

1.1 Install bottom arm (7422)

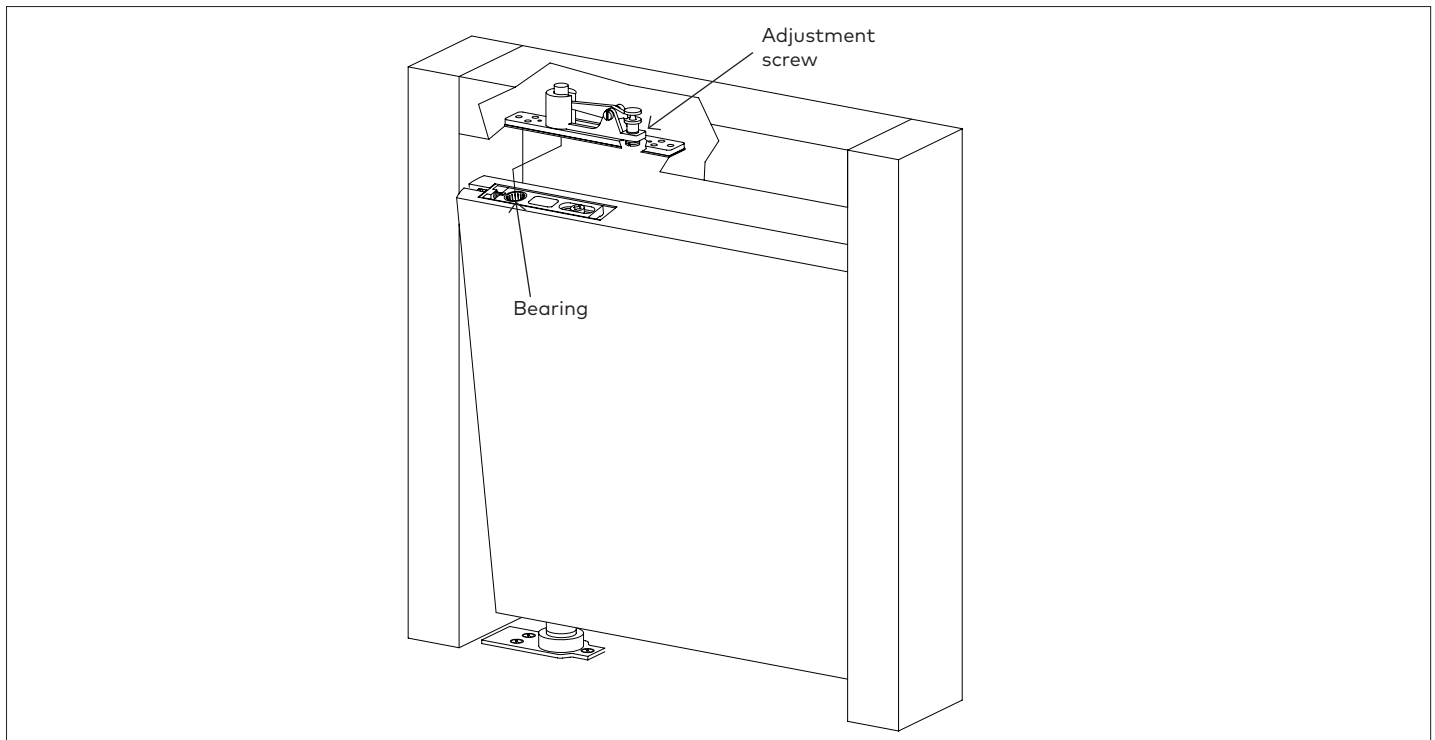
Fig. 1



- | | |
|----------------------------------------------------------|-----------------------------------------------------------------------------------------------------|
| 1.1.1 Prepare door according to template. | 1.1.4 Secure end of arm with flat head machine screw. |
| 1.1.2 Install 4 lateral support screws in arm securely. | 1.1.5 Turn the 4 lateral support screws counter-clockwise until head of screws firmly contact door. |
| 1.1.3 Fasten arm to door with 4 pan head machine screws. | |

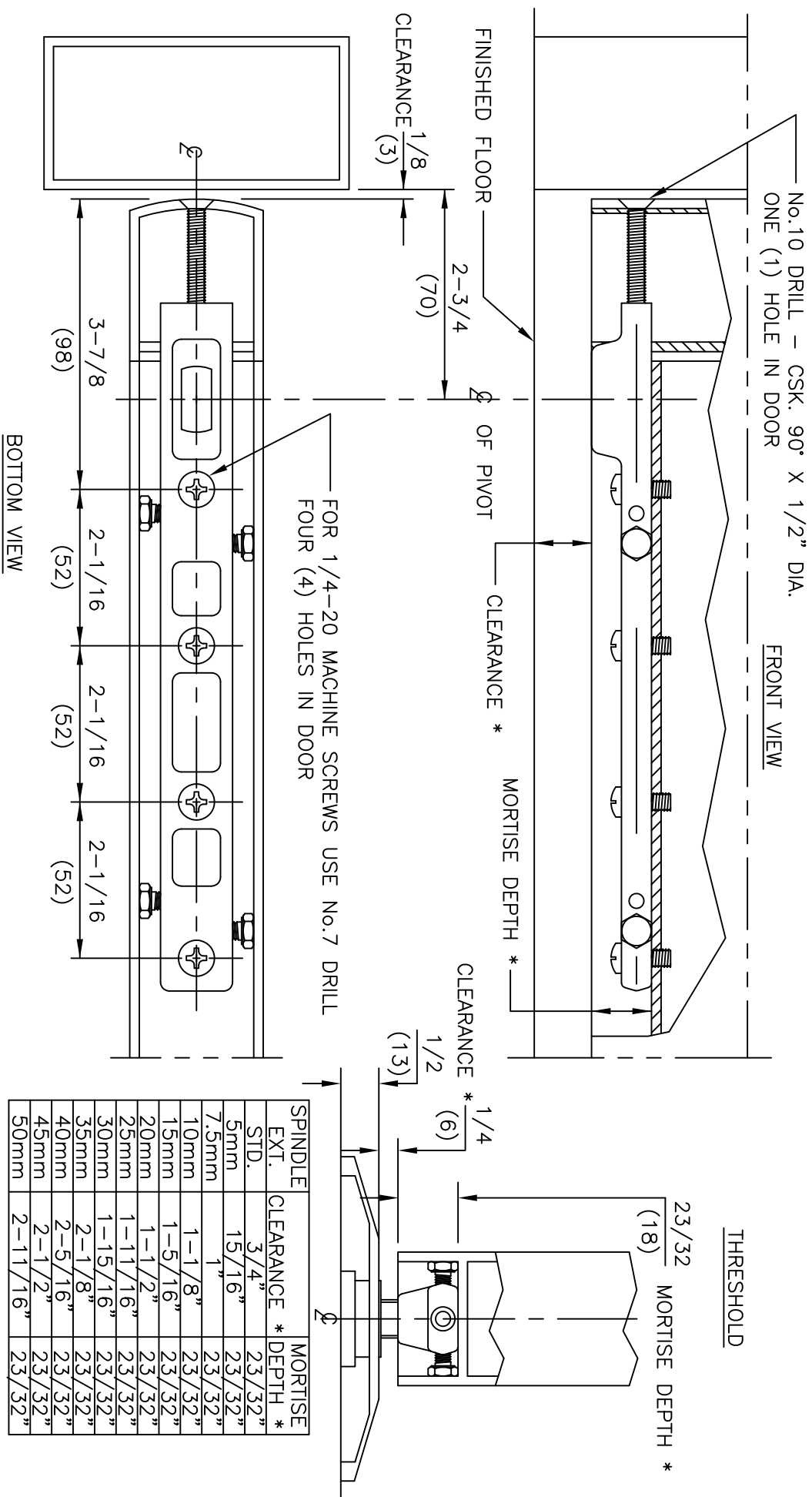
1.2 Install door

Fig. 2



- | | |
|-------------------------------------------------------------------|-------------------------------------------------------------------------------|
| 1.2.1 With door parallel to frame, place bottom arm onto spindle. | 1.2.4 Engage pivot pin by turning adjustment screw clockwise. |
| 1.2.2 Rotate door approximately 90°. | 1.2.5 Check to make sure pivot pin is fully engaged in door portion of pivot. |
| 1.2.3 Align bearing with pivot pin. | |

- NOTES
1. DO NOT SCALE DRAWING.
 2. DIMENSIONS ARE IN INCHES/(MM).
 3. ALL NECESSARY REINFORCEMENT FOR ARM BY OTHERS.



ITEM No. 7422
 CENTER HUNG BOTTOM ARM
 ALUMINUM DOOR
 FOR USE WITH 7471K FLOOR BEARING



dormakaba USA, INC.
 800 523 8483