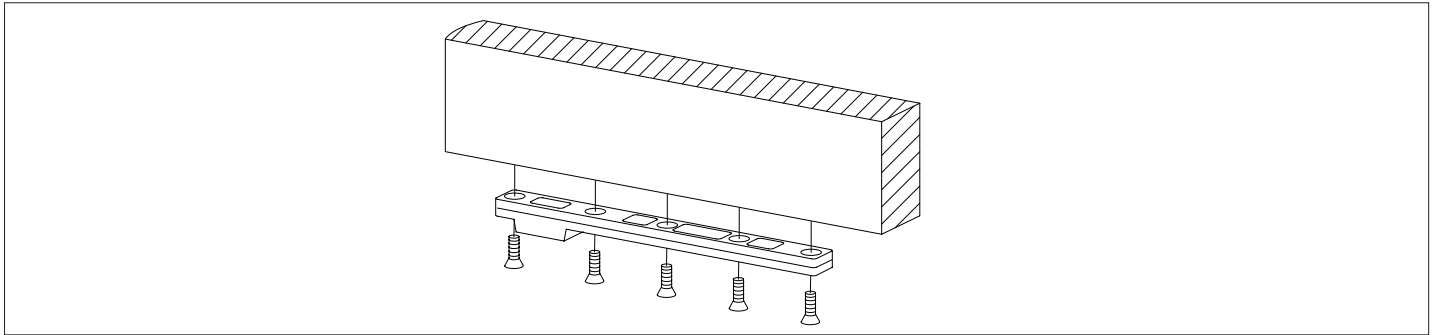


Installation Instructions

Center Hung Bottom Arm 7421

1.1 Install bottom arm (7421)

Fig. 1

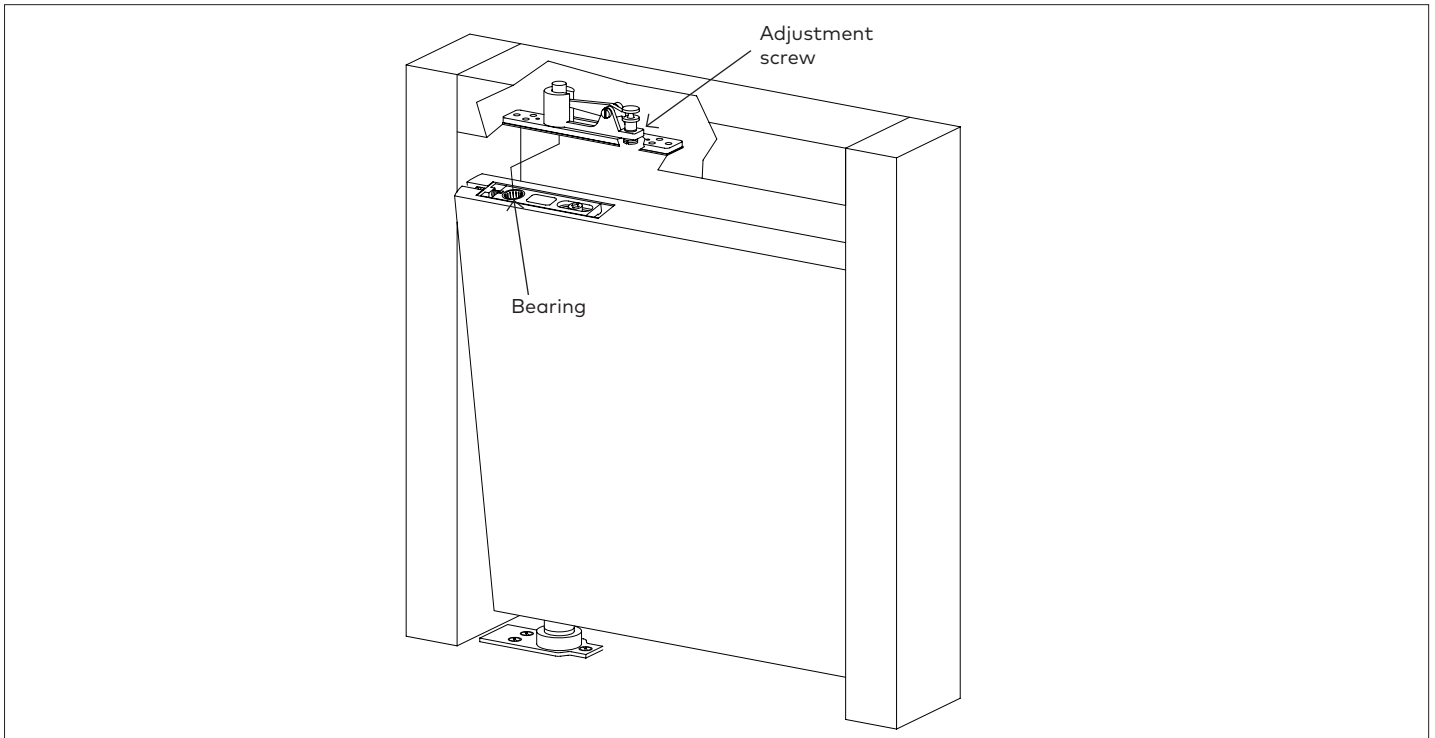


1.1.1 Prepare door according to template.

1.1.2 Attach arm to bottom of door with 5 wood or machine screws.

1.2 Install door

Fig. 2



1.2.1 With door parallel to frame, place bottom arm onto spindle.

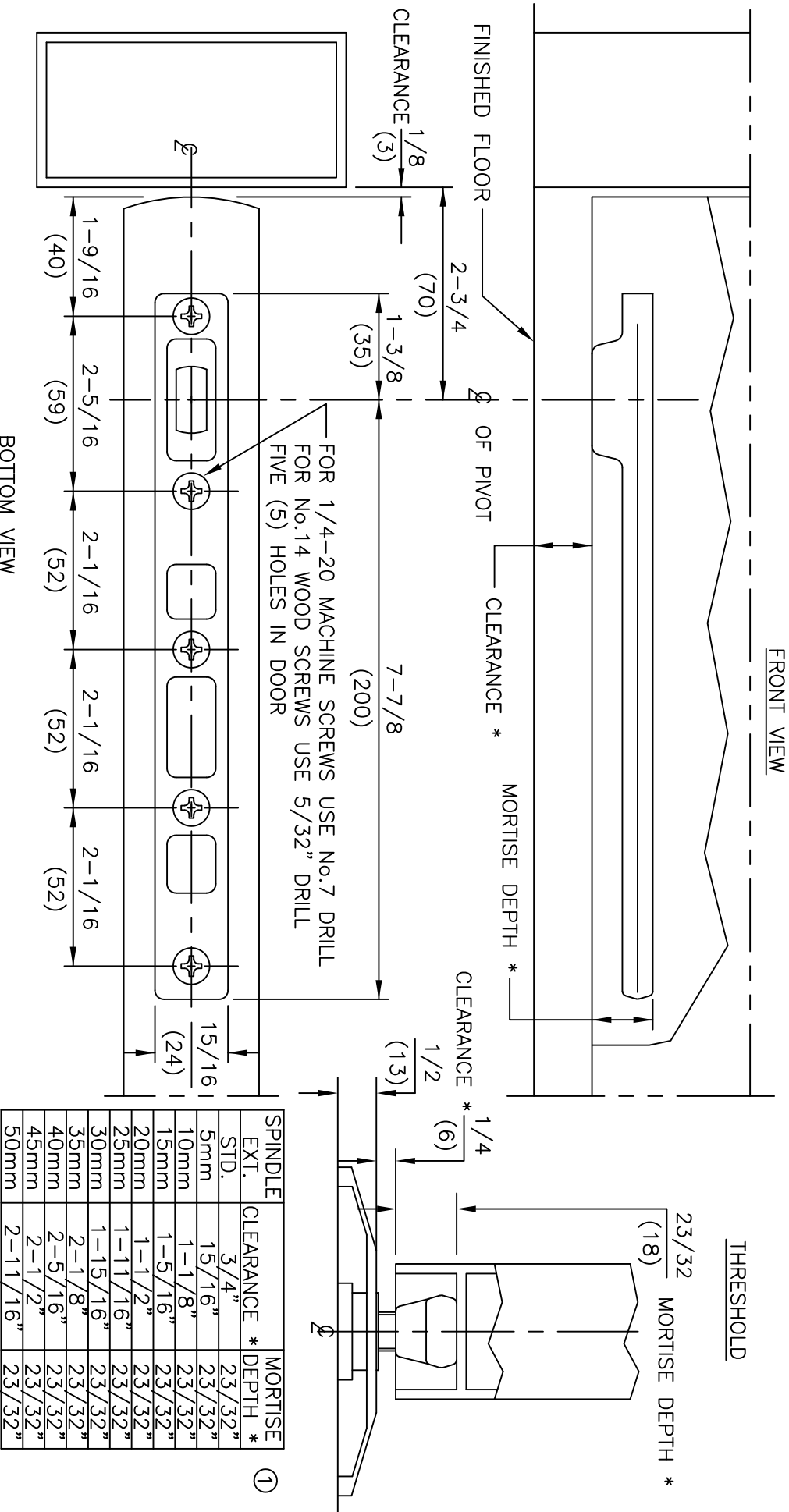
1.2.2 Rotate door approximately 90°.

1.2.3 Align bearing with pivot pin.

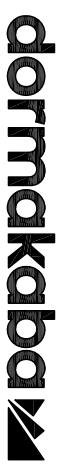
1.2.4 Engage pivot pin by turning adjustment screw clockwise.

1.2.5 Check to make sure pivot pin is fully engaged in door portion of pivot.

- NOTES
1. DO NOT SCALE DRAWING.
 2. DIMENSIONS ARE IN INCHES/(MM).
 3. ALL NECESSARY REINFORCEMENT FOR ARM BY OTHERS.



ITEM No. 7421
 CENTER HUNG BOTTOM ARM
 FOR USE WITH 7471K FLOOR BEARING



dormakaba USA, INC.
 800 523 8483