

ESA400

Fine frame automatic sliding door
with ESA II controller

Installation Manual

DL2844-040 – 05-2022

| EN |

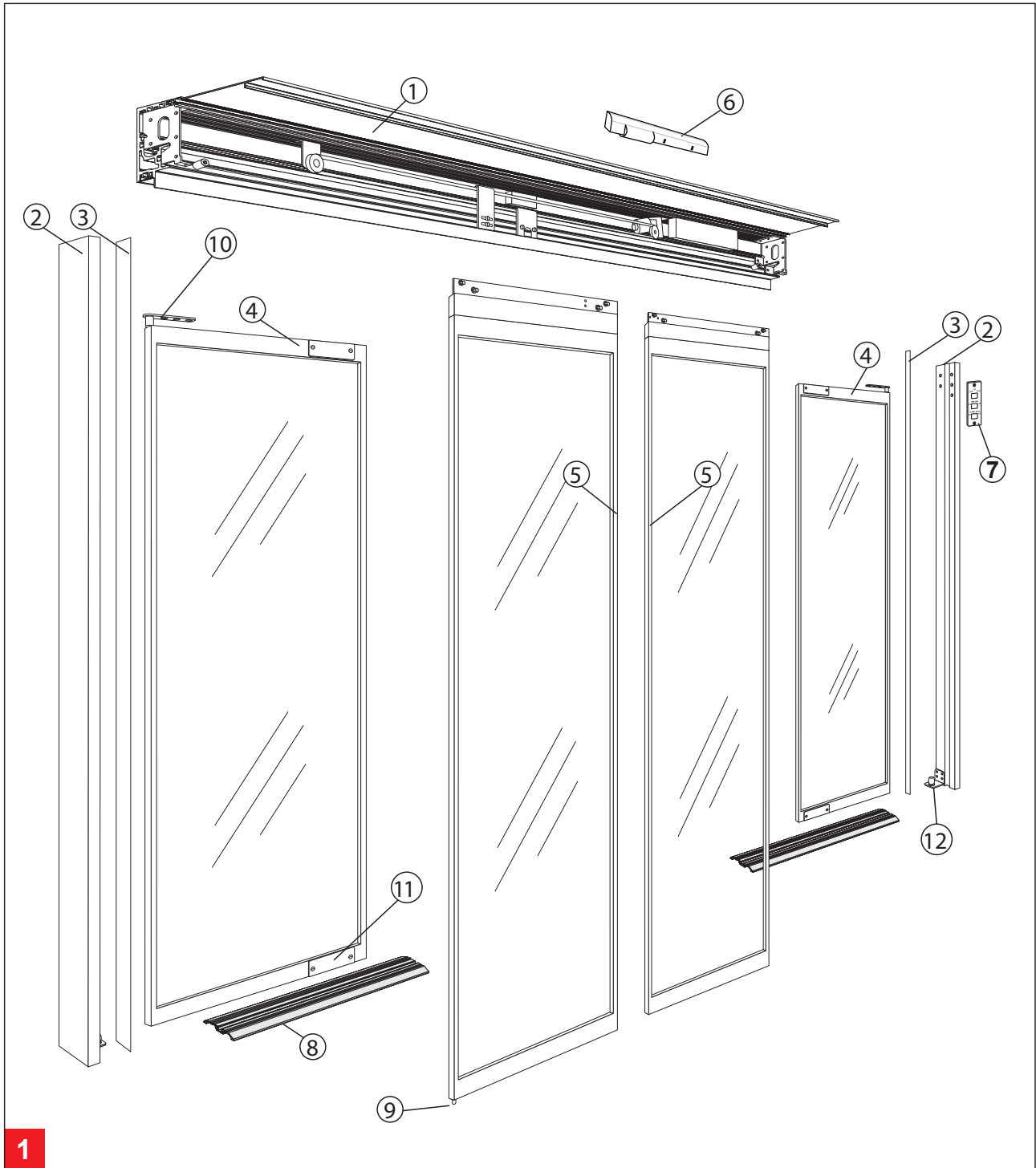
dormakaba 

Tools Required:

- Screwdrivers
 - Small Straight (FlatBlade) - for Terminal Block wiring
 - #2 Phillips (Crosspoint) - for various #8, #10, and #14 screws
- Wrenches / Sockets
 - 7/16" - for #1/4-20 Hex Head bolts attaching header to jambs
 - 1/2" (13mm) - for #5/16 Hex Head bolts attaching end stops and operator parts
 - 15/16" wrench - for carrier and anti-rise roller adjustment
- Allen Wrenches
 - 3mm - for "SX" & "SO" roller catch adjustment
 - 1/8" - for "SO" arm stop & "SX" bottom pivot
 - 5/32" - for "SO" top pivot
 - 5mm (3/16") - for "SO" arm pivot screw
 - 7/32" - for "SX" breakout adjustment
 - 5/16" - for carrier and anti-rise roller adjustment
- Electric Drill with the following drill bits
 - 9/64" (or#28) - for installing sensors & "SO" bottom roller stop
 - 5/32" (or#22) - for installing #10 sheet metal screws into adjacent storefront
 - 13/64" (or#7) - for installing #14 sheet metal screws into adjacent storefront
 - 1/4" - for clearance holes in jambs
 - 82 degree Countersink
- Impact Drill with the following masonry bits
 - 1/4" - for #10 screw anchors
 - 5/16" - for #14 screw anchors
- Level - suggested 4' minimum
- Step Ladder - 4' or 6'
- Tape Measure
- Caulking and Application Gun
- Electrical Wire Strippers / Cutters - for sensor wiring
- Grease [to hold "SX" bottom guide block on shaft]
- BEA Universal Remote Control - for adjusting sensors

Suggested Fasteners Required - (Not supplied)

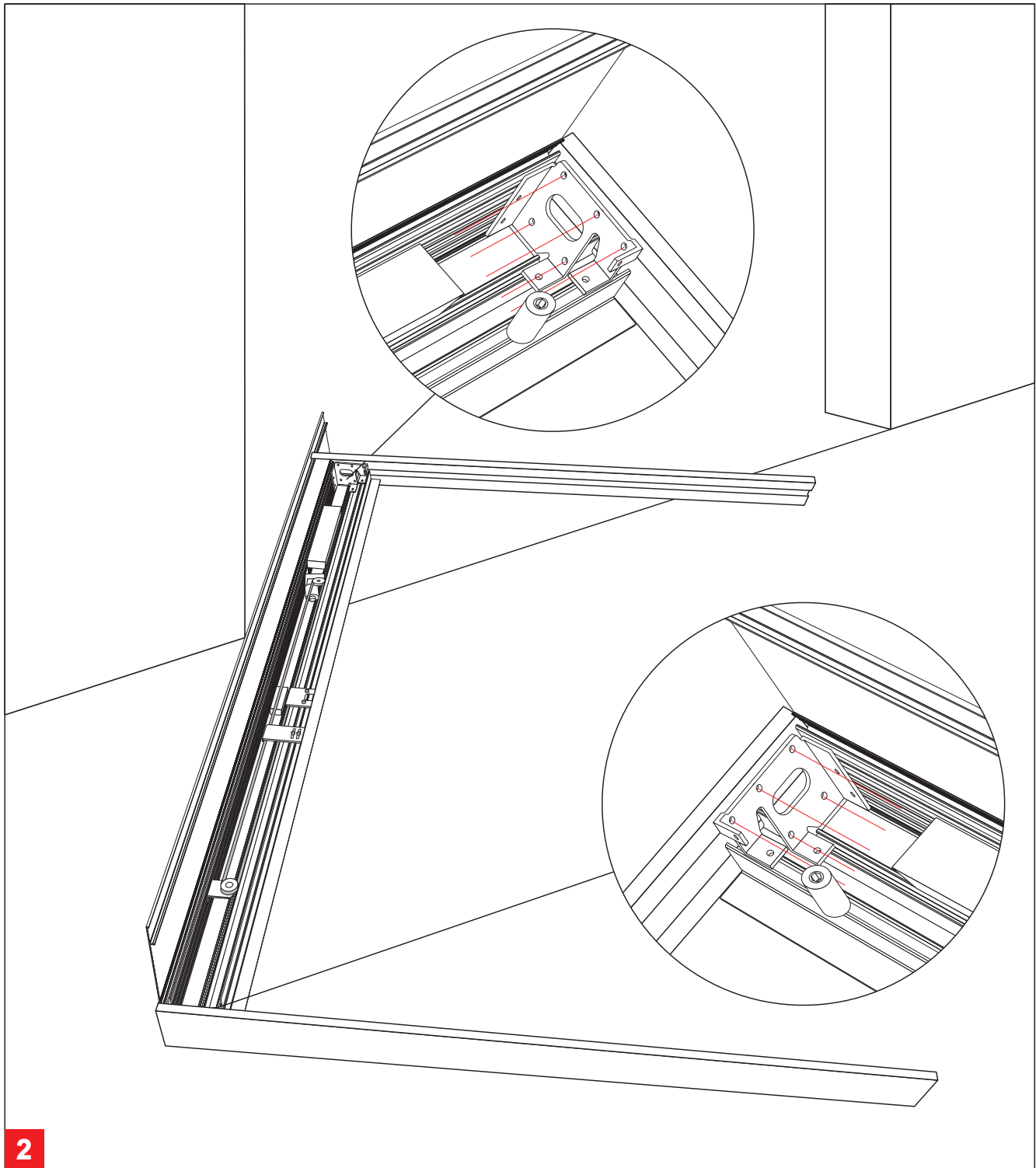
- Jamb Attachment Screws
 - #14 X 2-1/2" PHSMS (Pocket Jambs)
 - #14 X 3" FHSMS (Tube Jambs)
 - Optional Anchors for masonry
 - Threshold Attachment Screws
 - #10 X 1-1/2" FHSMS
 - Optional Anchors for masonry
 - Header Attachment Screws
 - #14 X 1-1/2" HHSMS
 - #14 Flat Washer
 - Construction Shims - for squaring door frame in opening
-



1

Components - Overview

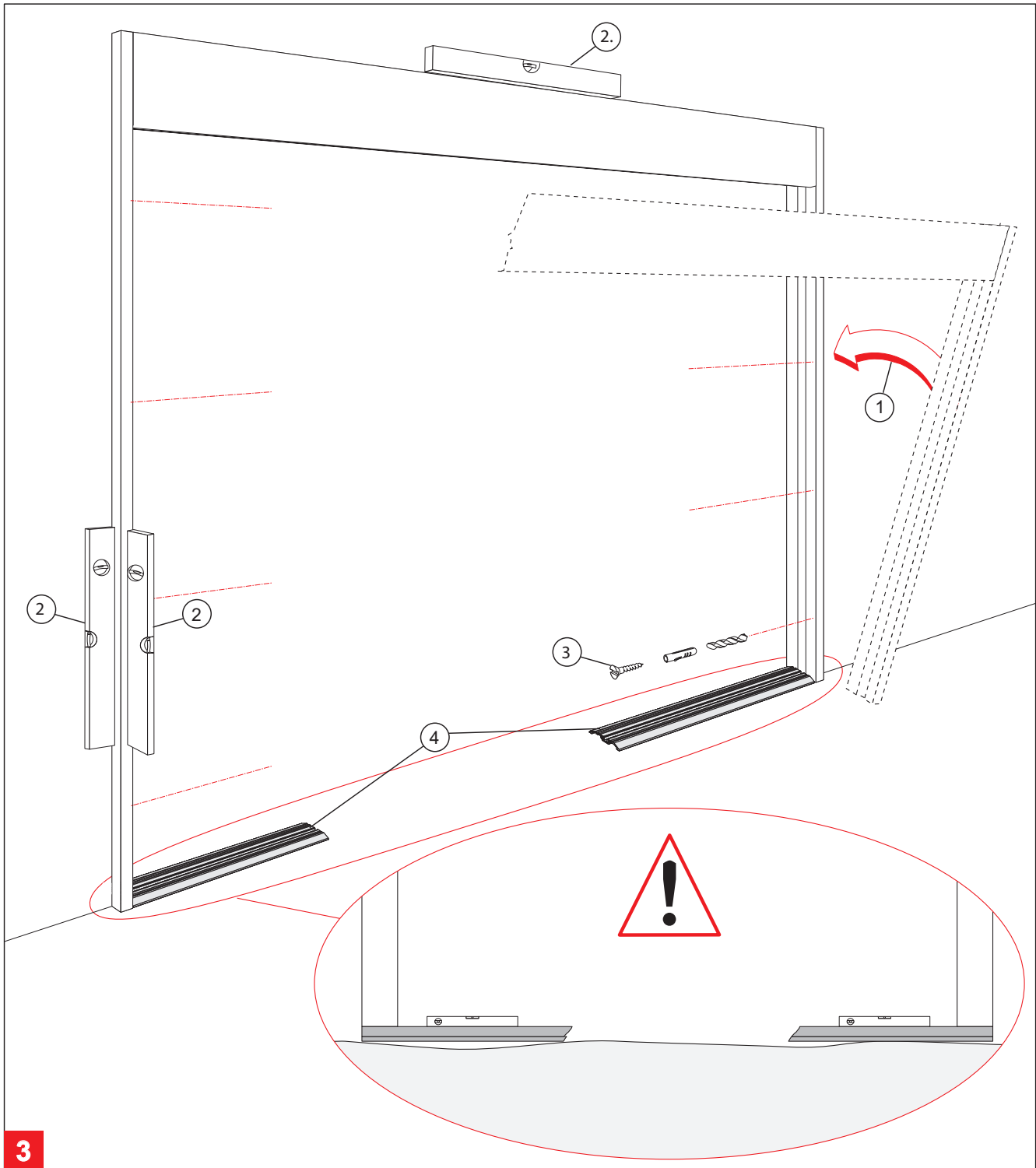
- | | | |
|------------------------------|-----------------|-----------------|
| ① Operator Unit | ⑤ Sliding Panel | ⑨ Floor Guide |
| ② End Tube (Jamb) Extrusions | ⑥ Sensor | ⑩ Bearing Pivot |
| ③ Cover Extrusion | ⑦ Program-Panel | ⑪ Latch Device |
| ④ Sidelight | ⑧ Floor Rail | ⑫ Bearing Pivot |





2

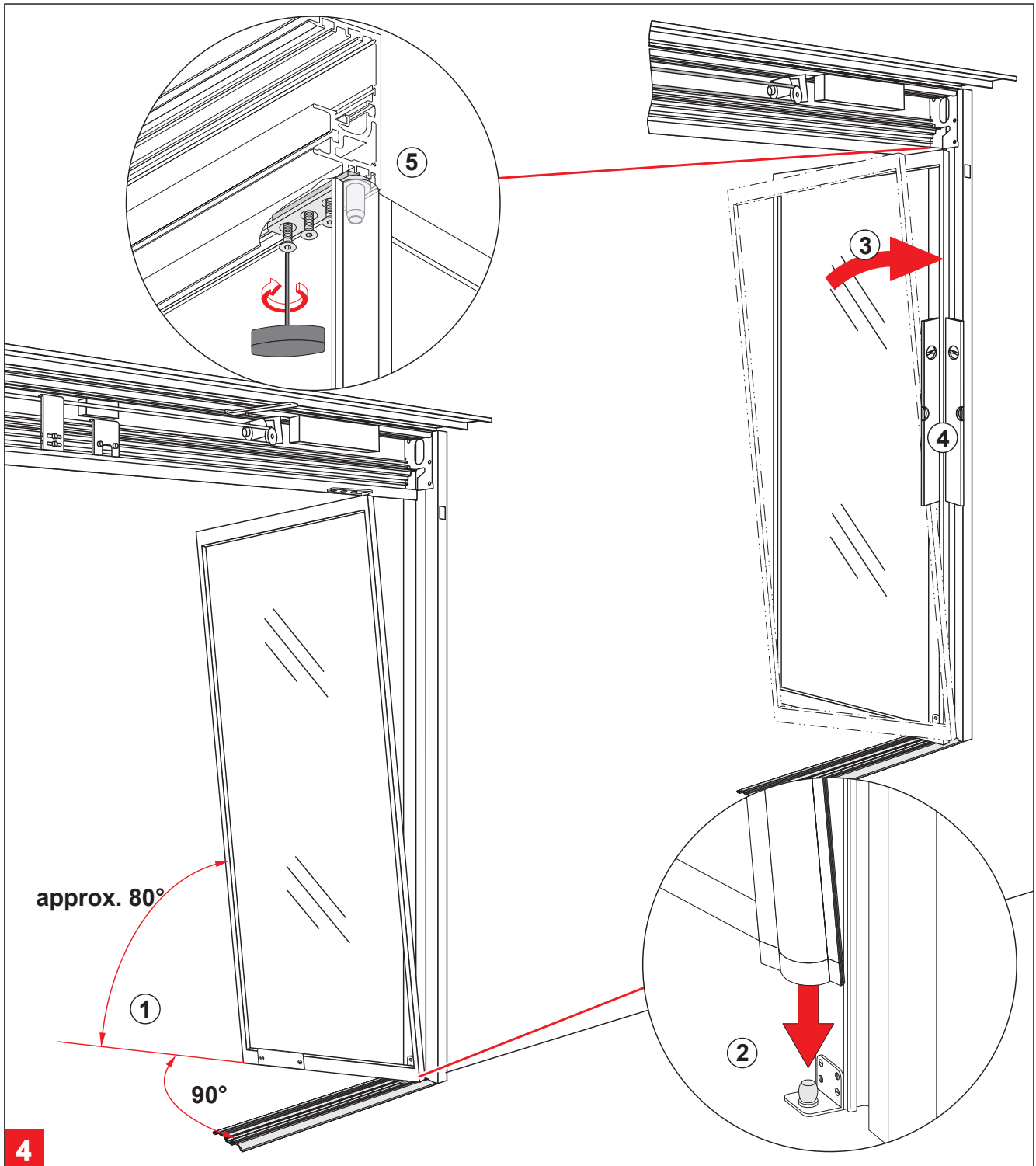
Header to Jamb Assembly

Fasten the header unit to the jambs using (5) 1/4-20 x 1" hex bolts per side. (7/16" socket/wrench required.)



Assembly

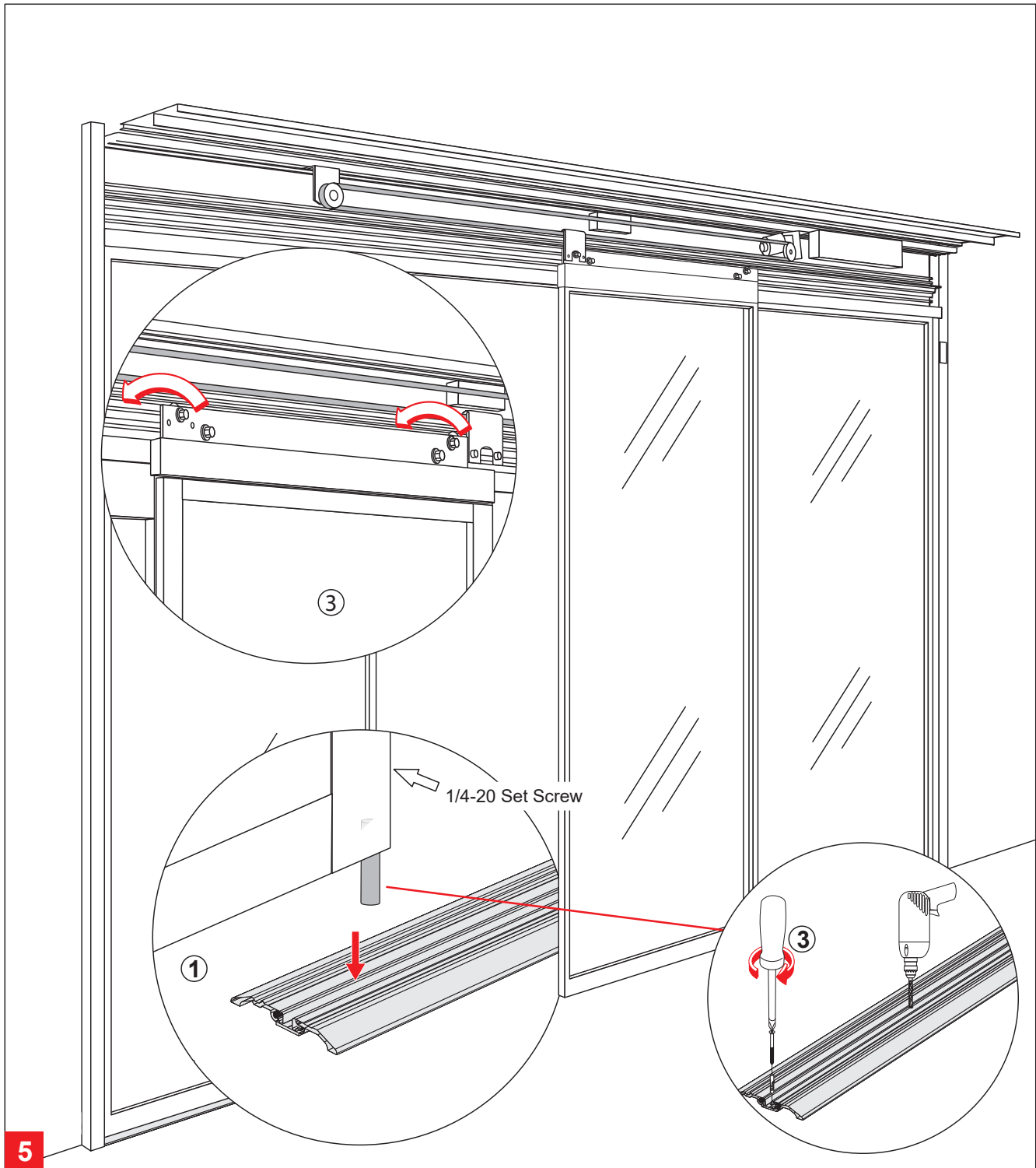
- ① Place the header & jamb assembly into the rough opening.  The mounting of the operator to the rough opening must meet applicable building codes and standards.
 - ② Level all sides and shim as required.
 - ③ Fasten assembly into rough opening, after verifying unit is level and plumb in all directions.
 - ④ Place floor track in position.
-  Find highest floor elevation and shim accordingly.



4

Sidelight mounting

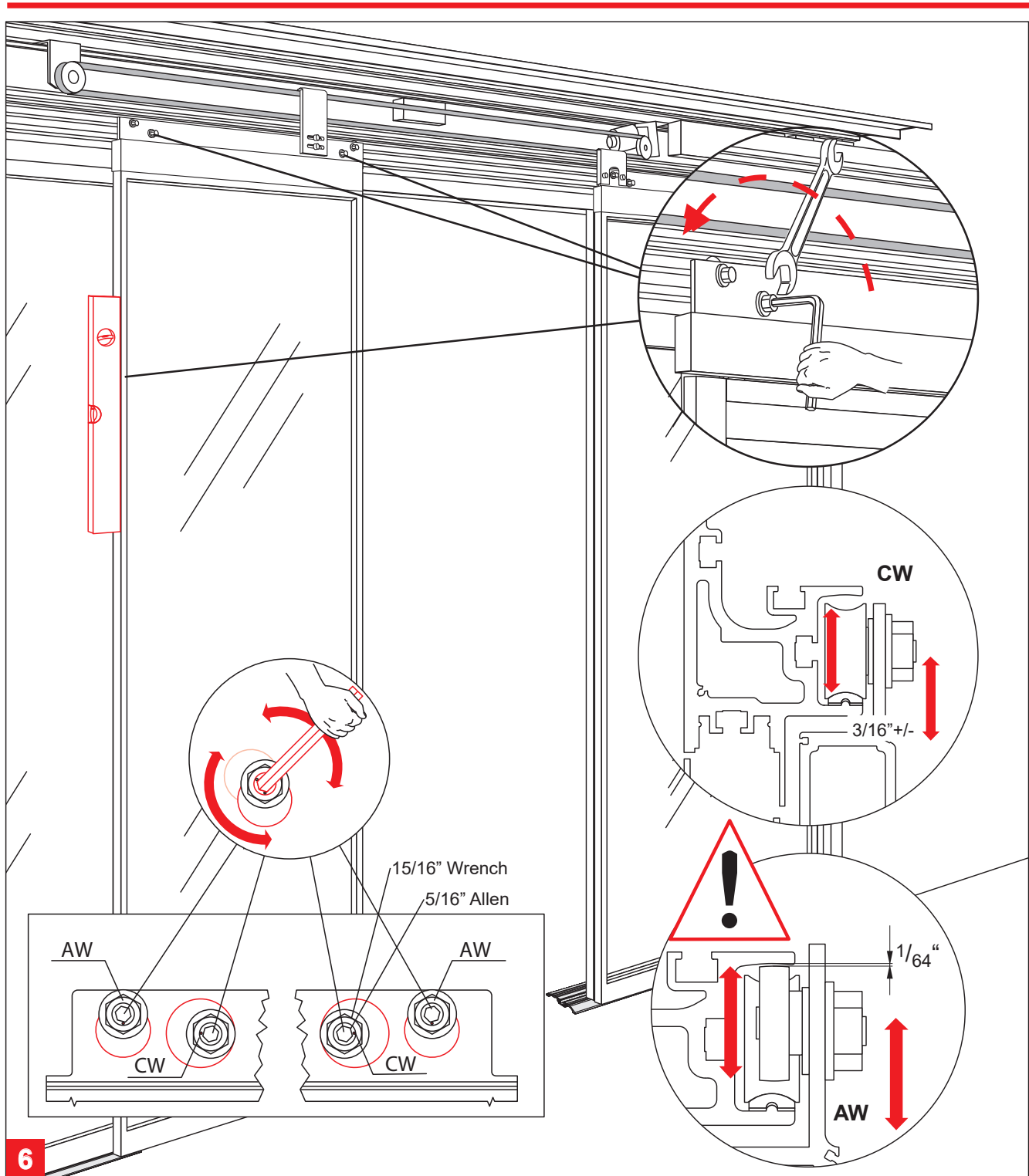
- ①-② Align "SO" panel 90° to the "SX" track and 80° to the vertical jamb. Place "SO" panel onto bottom pivot mounted on the jamb.
- ③ Push "SO" Panel vertically to align with jamb. Rotate upper "SO" arm and lightly fasten to screw plate located in header.
- ④ Align and plumb "SO" Panel.
- ⑤ Tighten (3) 1/4-20 x 5/8 fasteners in "SO" top pivot, securing "SO" Panel to header using 5/32" Allen wrench.



5

Hanging the "SX" panel


- ① Lift "SX" panel and place rollers onto roller track in header.
- ② Find the highest spot along track. Place small screwdriver below "SX" pivot, loosen set screw and re-tighten when "SX" bottom guide pin reaches screwdriver (1/8" Allen wrench required).
- ③ Align track with jamb. Fasten and anchor bottom track to floor.

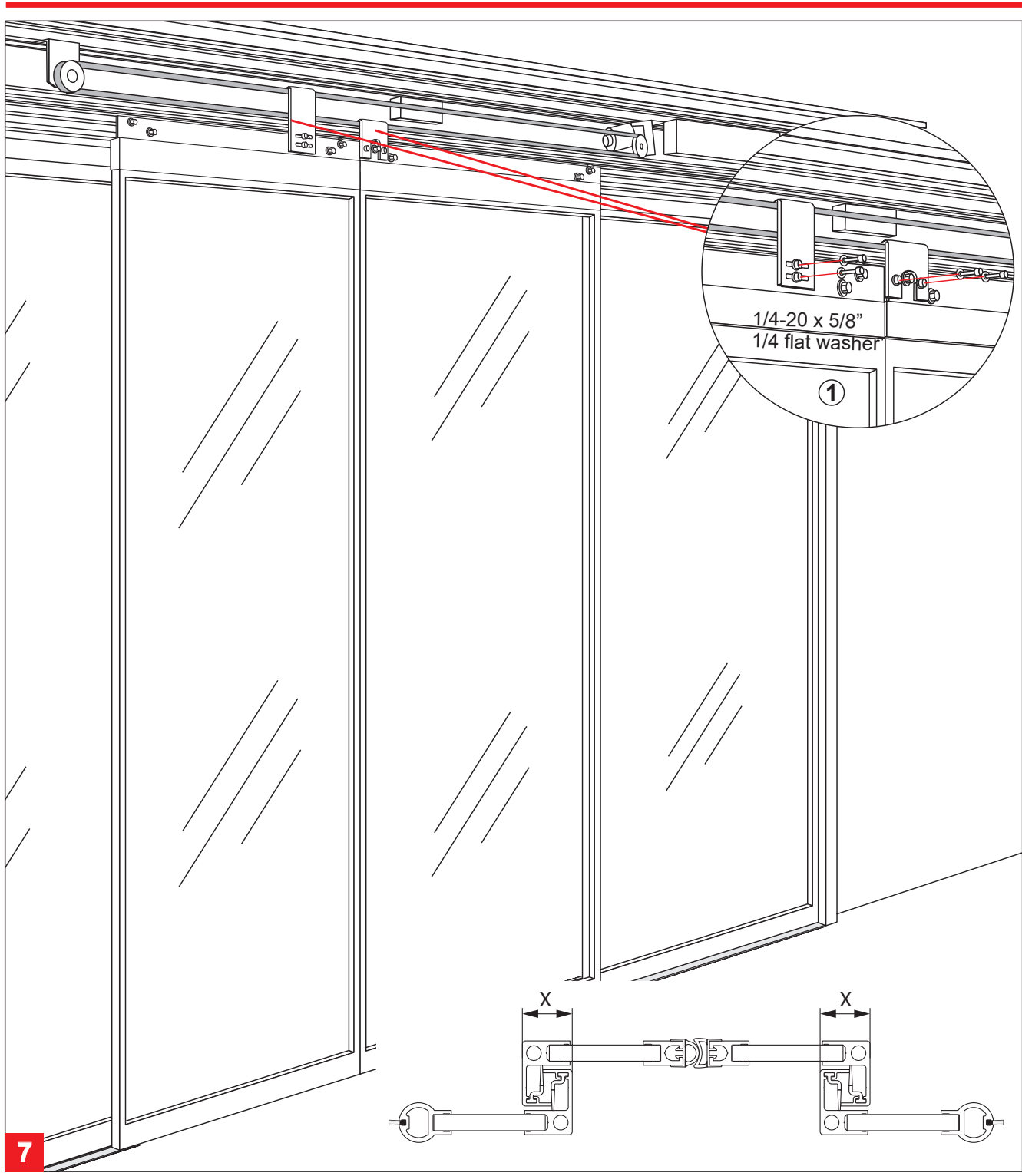


6
Vertical Alignment for SX panel

Using the eccentric carrier wheel (CW), and the anti-riser wheel (AW), level the sliding panel. Tighten hex nuts to secure the adjustment.

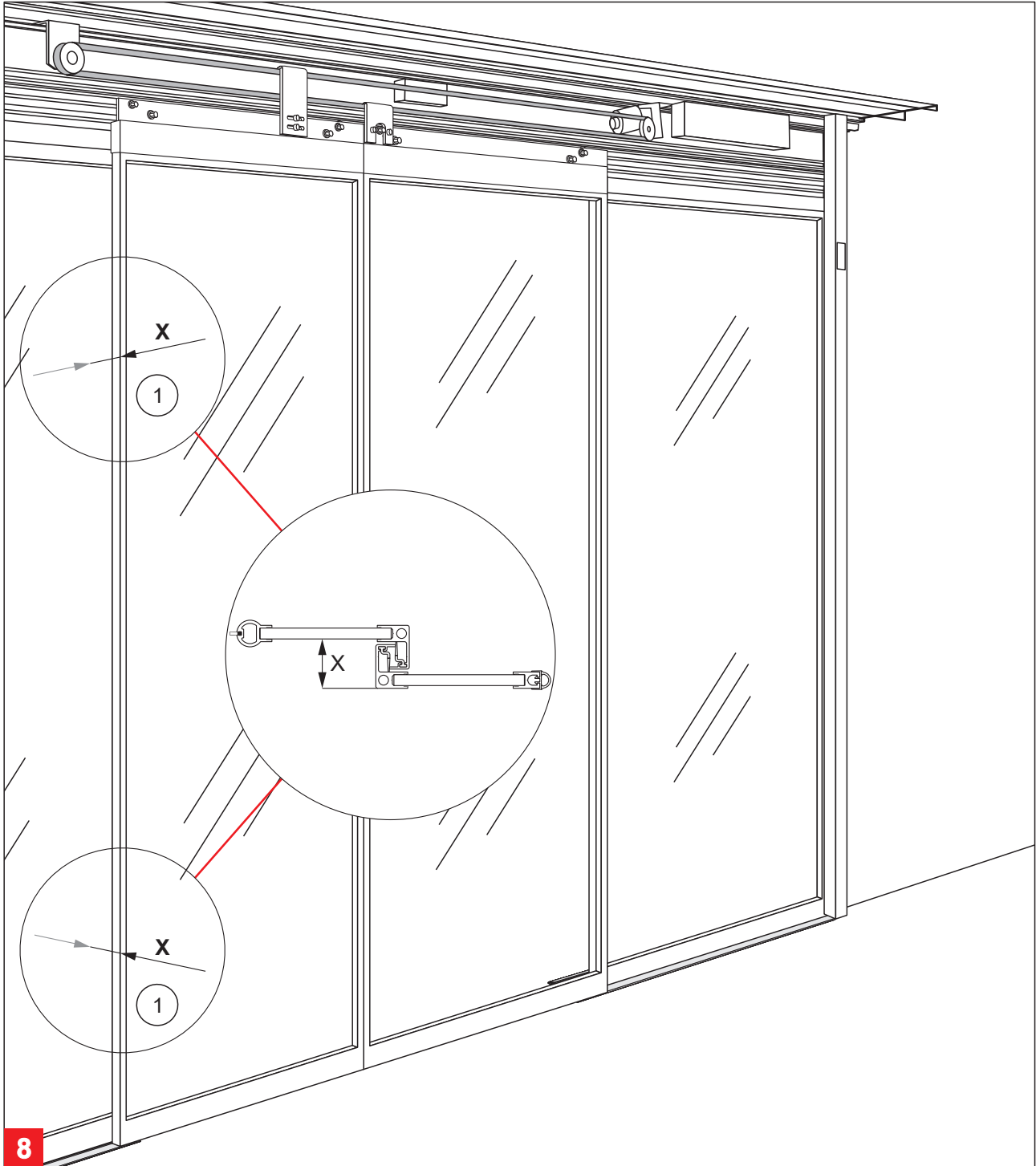
Adjustment of the anti-riser roller:

 The anti-riser roller should not contact the top track anywhere along the slide path of the door.



SX Panel Centerline Adjustment

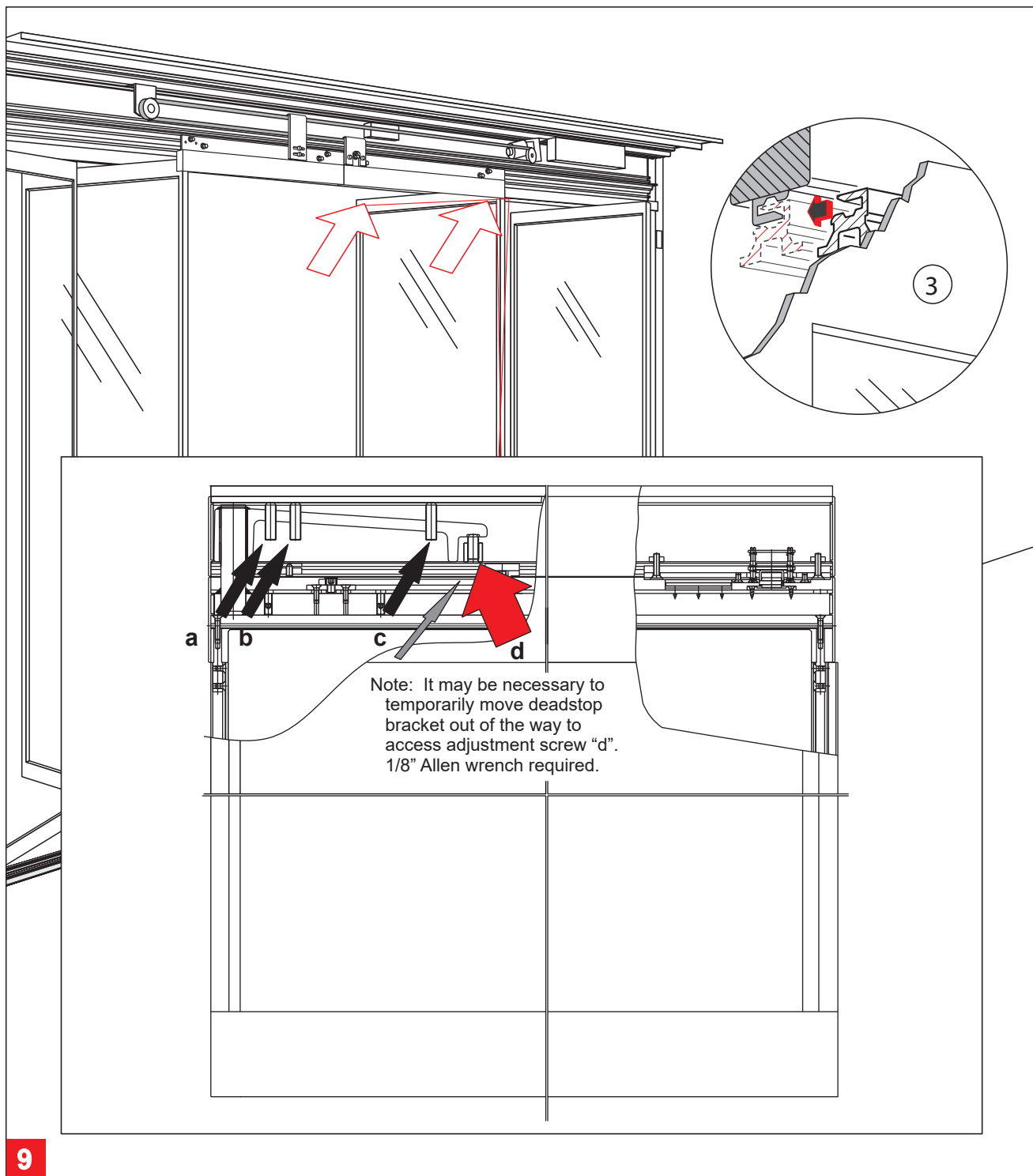
- ① With the lower belt bracket securely fastened and the upper belt bracket in its loose position, the “SX” panels can be properly adjusted to their center position. After panels are centered, fasten upper belt bracket to carrier. (7/16” socket or wrench required.)



SO Panel Adjustments (For Recessed Applications Only)



- ① Adjust SO panel to be parallel to the “SX” panel from top to bottom.
- ② Correctly place “SO” bottom latch stop on floor track and fasten with (2) countersunk screws in latch slots.
(Phillips screwdriver required.)
- ③ Check “SO” panel position and adjust if necessary.
- ④ Anchor “SO” bottom latch stop with remaining countersunk screw.

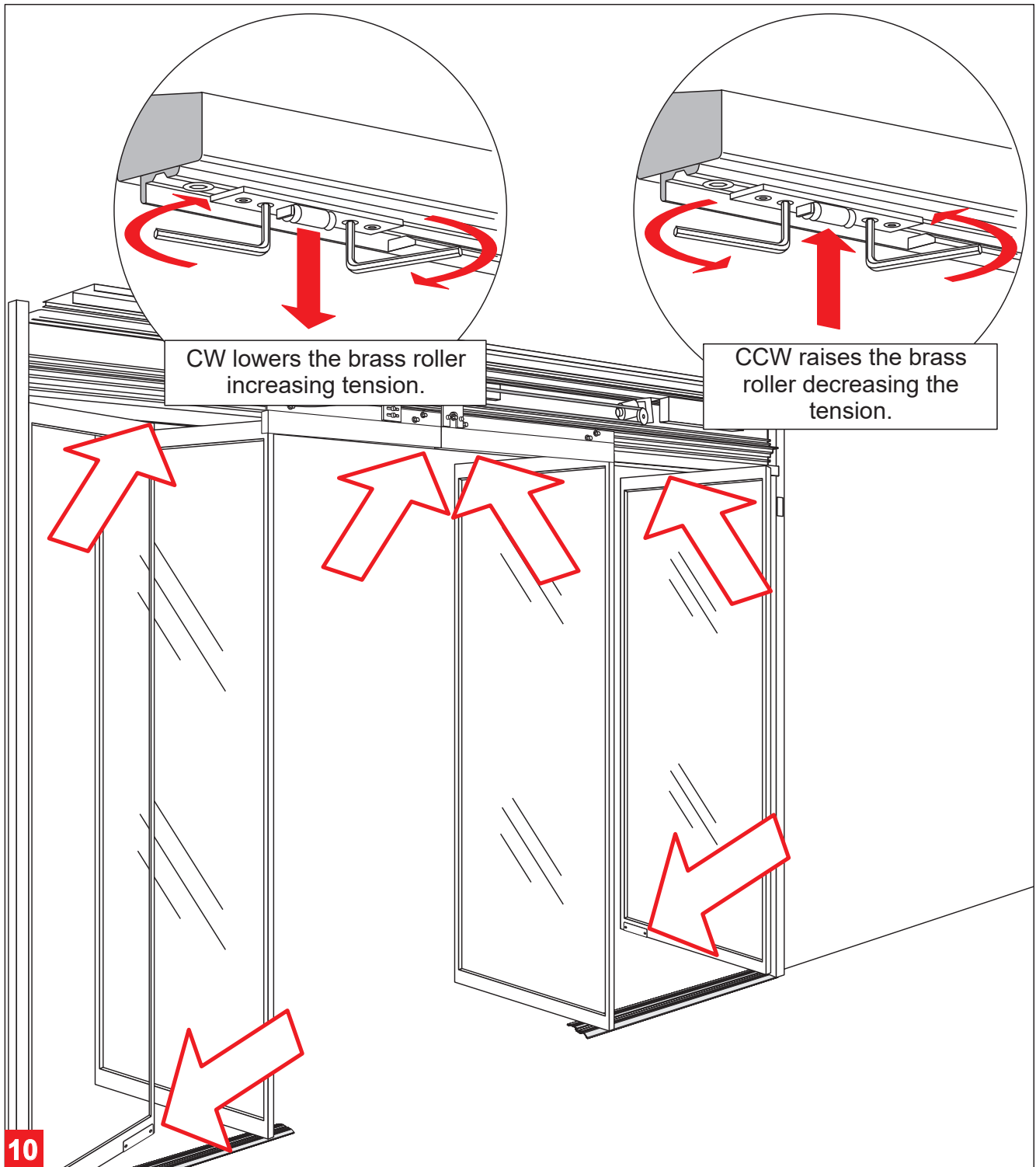


9

Adjustment of the Breakout-Unit

1. Loosen the set screws (a, b & c) to prevent interference while adjusting door. (7/32" Allen wrench required.)
2. Use the adjustment screw (d) to lift (CW), or lower (CCW), the leading edge of door.
3. Continue adjustment until the re-latch profiles are properly aligned.
4. Tighten all set screws (a, b & c) until tight and secure.

Recheck the latched position alignment and readjust as necessary.

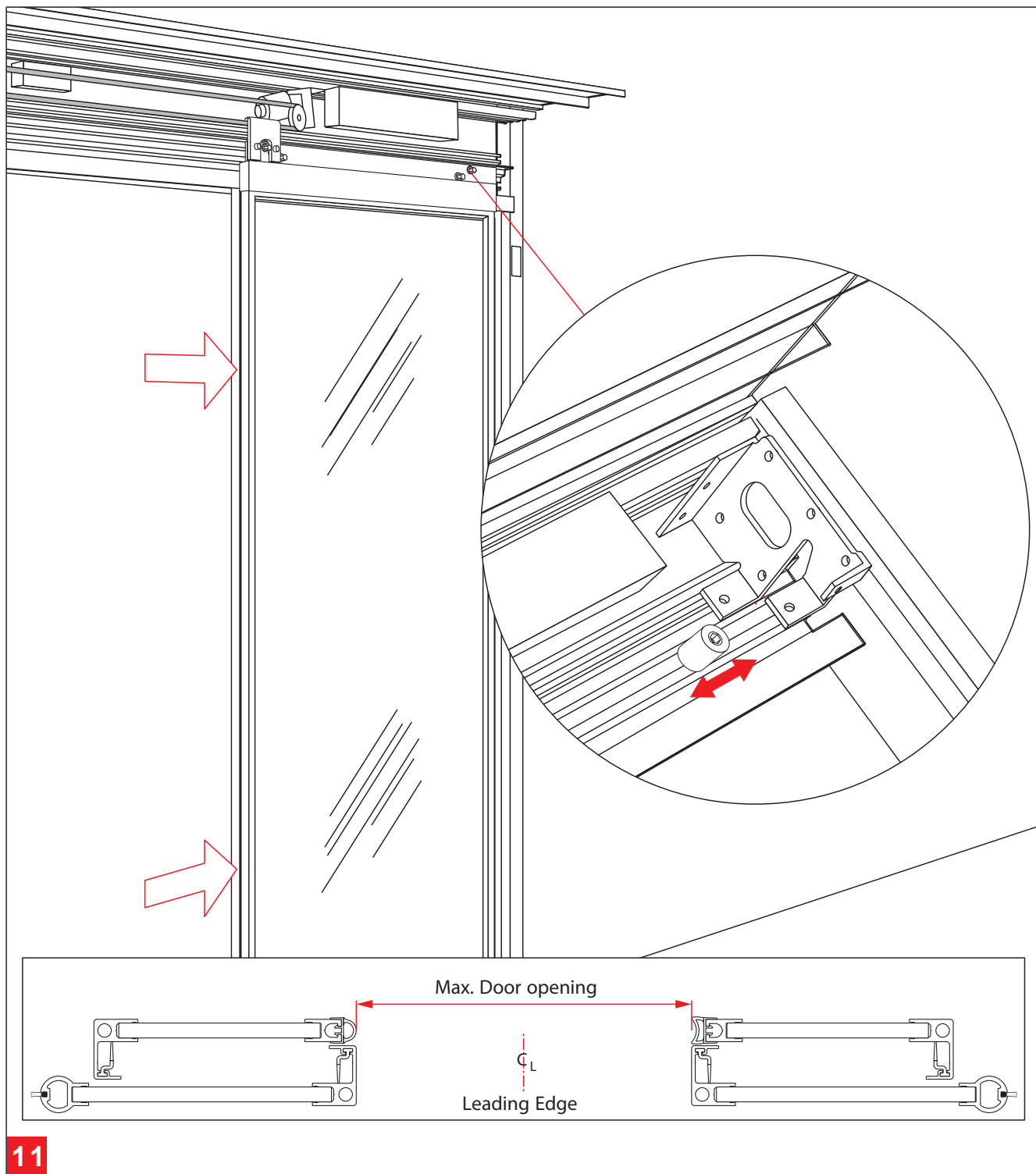


Adjustment of the Roller Catch

Align the roller catches as illustrated, using the adjustment screws. (3mm Allen wrench tool required.)

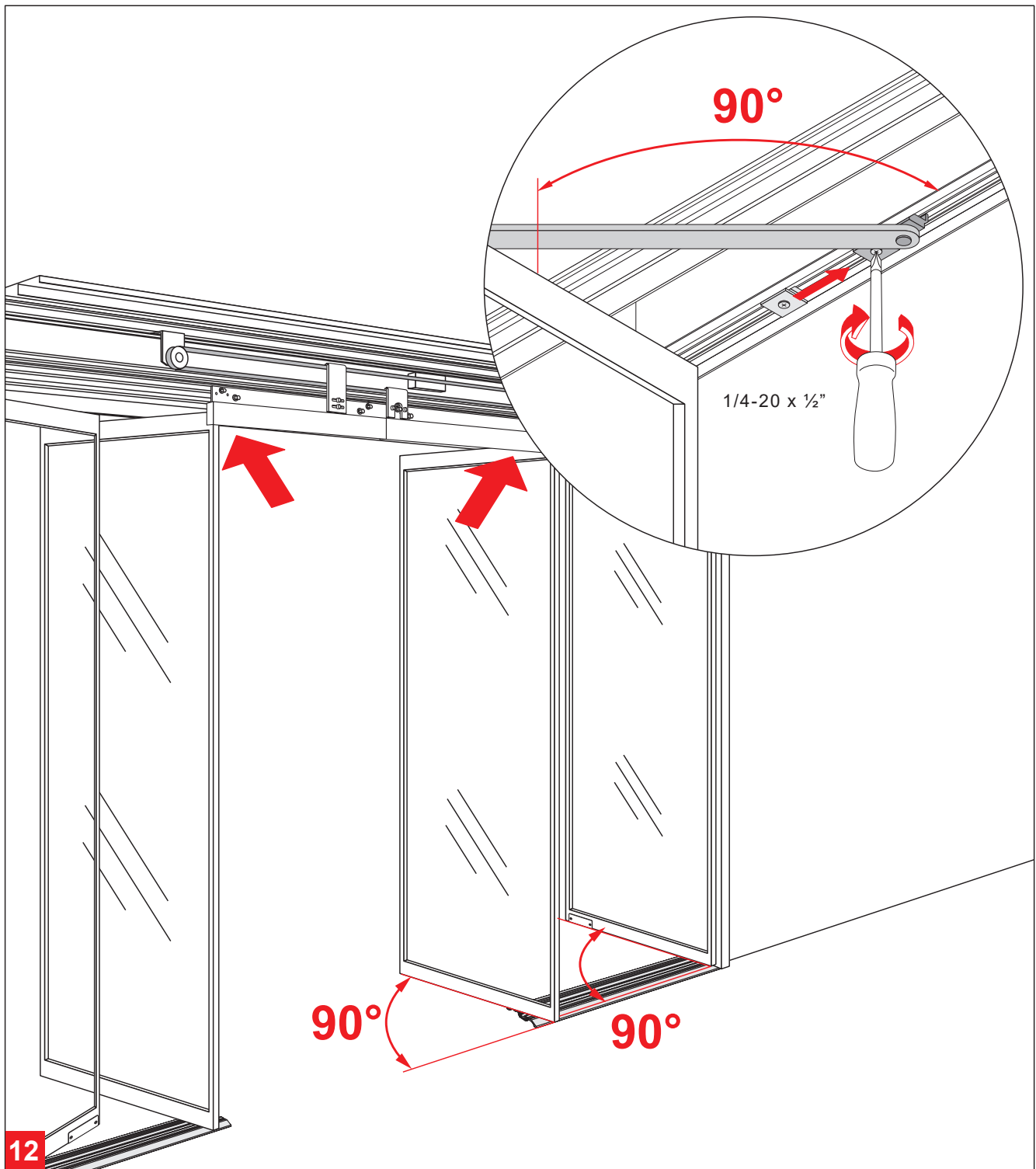
Pay close attention to the disengagement, or breakout force.

Do not exceed ANSI A156.10 Standards.



11 Adjustment of the End Stops

End stops are installed at the factory. Adjustments should be made by loosening the bolt and sliding the stop to the appropriate position. Be sure adjustments are made symmetrically to the door opening, while providing proper finger safety per ANSIA156.10 Standards. (1/2" socket or wrench required.)



12

“SX” and “SO” Panel Breakout Adjustment

1. Open “SX” & “SO” panels to 90°.
2. Move arm stop blocks to engage arm. (1/8” Allen wrench required.)
3. Secure stop blocks.

This page left intentionally blank.

