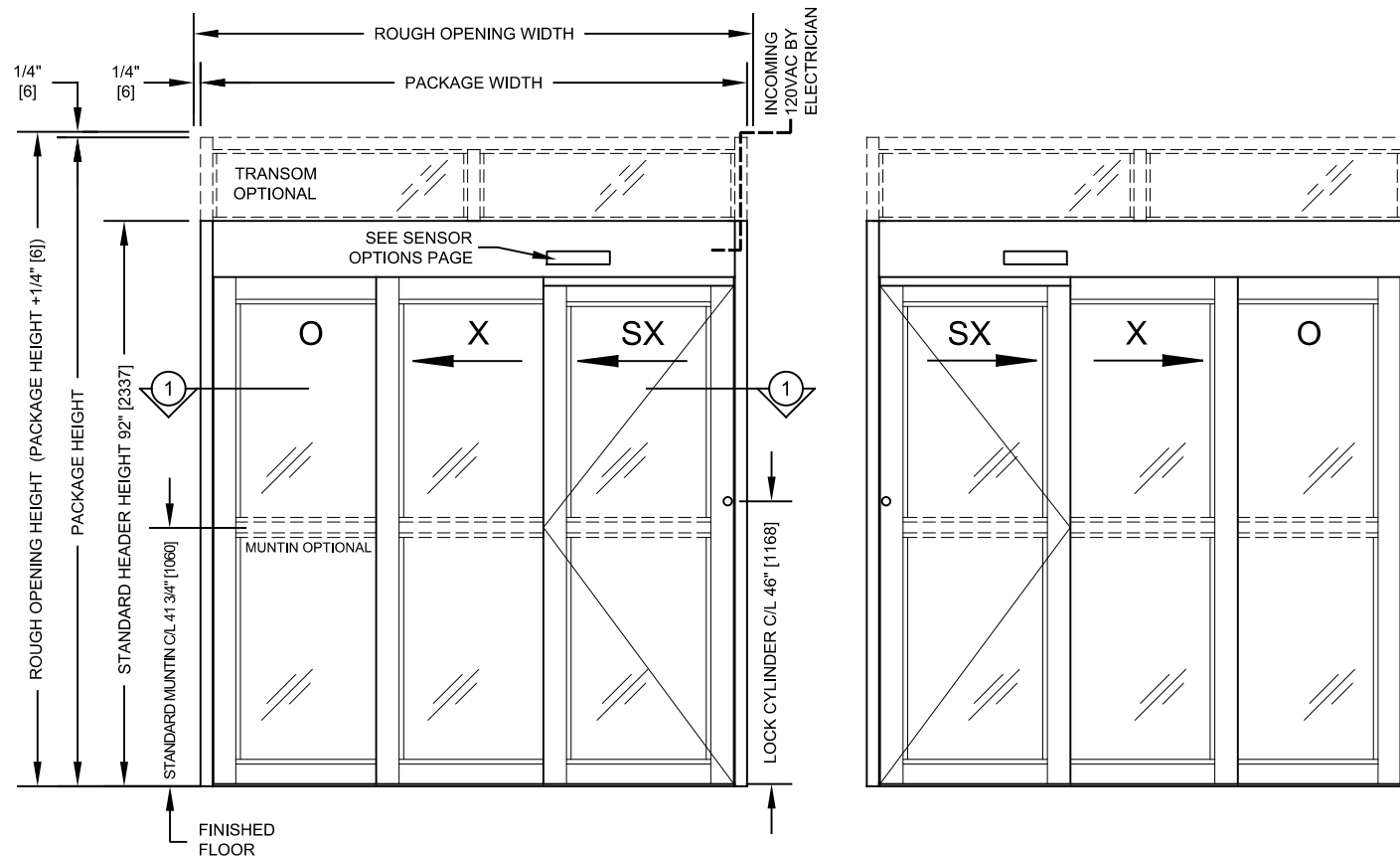
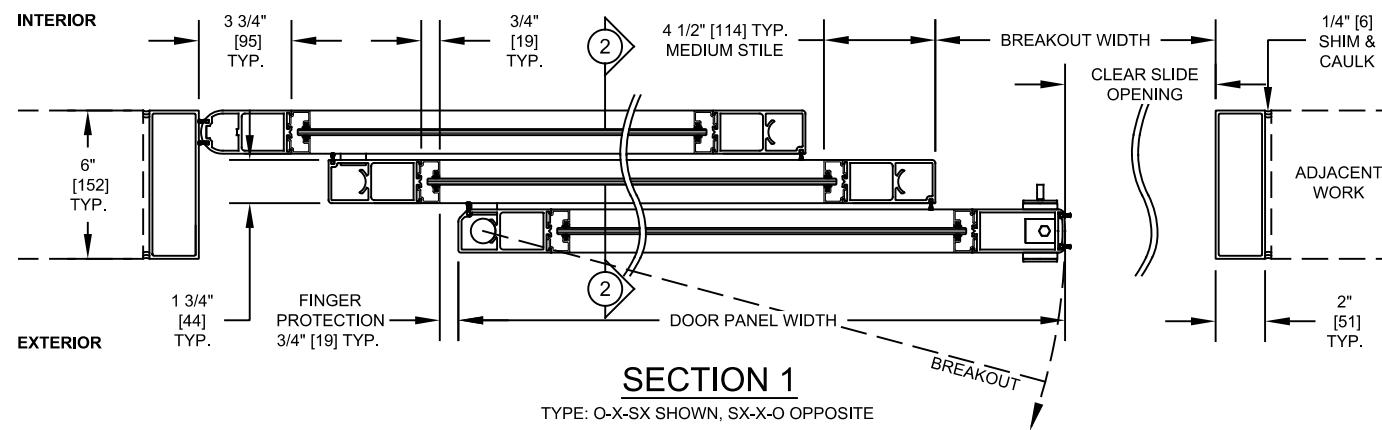


SECTION 2
TYPE: O-X-SX, SX-X-O



EXTERIOR ELEVATION
TYPE: O-X-SX, SX-X-O



SECTION 1
TYPE: O-X-SX SHOWN, SX-X-O OPPOSITE
DOOR SHOWN IN OPEN POSITION WITHOUT THRESHOLD

Package Width	Rough Opening Width	Clear Slide Opening	Door Panel Width	Breakout Width
(7'-6") 90" [2286]	90 1/2" [2299]	43 11/16" [1110]	31 5/8" [803]	49 1/16" [1246]
(8'-0") 96" [2438]	96 1/2" [2451]	47 11/16" [1211]	33 5/8" [854]	53 1/16" [1348]
(9'-0") 108" [2743]	108 1/2" [2756]	55 11/16" [1414]	37 5/8" [956]	61 1/16" [1549]
(10'-0") 120" [3048]	120 1/2" [3061]	63 11/16" [1618]	41 5/8" [1057]	69 1/16" [1745]
(11'-0") 132" [3353]	132 1/2" [3365]	71 11/16" [1821]	45 5/8" [1159]	77 1/16" [1957]
(12'-0") 144" [3658]	144 1/2" [3670]	79 11/16" [2024]	49 5/8" [1260]	85 1/16" [2161]
Width Formulas	Package Width + 1/2" [13]	(Package Width x 2/3) - 16 1/4" [413]	(Package Width / 3) + 1 5/8" [41]	(Package Width x 2/3) - 10 15/16" [278]

- This Single Telescopic door package consists of:
 - Operator:
 - Two combination motion/presence sensors (one on each side) (See sensor options page).
 - ESA II motor drive unit with self-learning and self-monitoring microprocessor controller.
 - Jamb mounted 5 function rocker switch panel (see mode switch options page).
 - Panels:
 - 4 1/2" [114] Medium stile door panels (including 3/4" [19] wide glass stop).
 - 3-1/4" [83] Optional muntin mounted at 41-3/4" [1060] centerline on all panels (including 3/4" [19] wide glass stop).
 - 4" [102] Bottom rails (including 3/4" [19] wide glass stop).
 - 2" [51] x 6" [152] Smooth jambs.
 - Vertical and horizontal brush type weather stripping (AAMA-701-11Class A).
 - Manual two point mortise lock with thumb turn and key cylinder.
 - 3/4" [19] wide snap-in glass stops for glazing from 1/4" [6] to 1 1/4" [32] thick at 1/8" [3] increments.
 - ITS Hydraulic self-closer in SX panels.
 - Breakaway sliding door panels (SX), non-breakaway sliding door panels (X) and fixed sidelights (O) panels.
- Finishes:
 - Clear anodized (BHMA 204).
 - Dark Bronze anodized (BHMA 313).
- Optional Transom:
 - Single vertical 2" [51] x 6" [152] smooth mullion (Standard). Multiple verticals available.
 - Glass thickness options 1/4" [6] thru 1-1/4" [32] at 1/8" [3] increments.
 - Snap-in sash on all sides.
- Typical Package Options:
 - Finishes: special anodized, PVDF (wet) paint, powder coat, and cladding available for header, panels and jambs.
 - Muntins: multiple muntins, various heights and locations.
 - Bottom Rails: 7" [178], 10" [254]. Other options available.
 - Santoprene rubber weather stripping available.
 - Locking and Security Options:
 - Bi-stable autolock sliding carrier lock concealed in header.
 - 3-point lock and reinforced strike.
 - Security contacts.
 - Keyed mode switch panel (5 function or 3 function) (see mode switch options page).
 - Recessed exit device in 5 1/2" [140] in SX muntin.
- Dimensions:
 - Drawing dimensions are in English & Metric units. Metric units are displayed as: 1" [25] millimeters.
 - Typical package dimensions: (Glass thickness may be limited by panel size)
 - Each door package is manufactured to your custom size requirements.
 - Package Width: Min. 7'-6" [2286] to Max. 12' [3658].
 - Header Height: Min. 7'-5 1/8" Max. 10' [2234].
 - Package Height: Max. 12' [3658] with Transom.
 - SX Panel Weight: Max. Weight 200 lbs [90kg].
 - Maximum special application limits / custom packages: (Sizes may be restricted due to complexity and application) (Please contact dormakaba Architectural Services for dimensions outside of typical sizes above)
 - Package Width: Min. 7'-6" [2286] to Max. 13'-6" [4115].
 - Package Height: Max. 14' [4267].
 - Header Height: Max. 12' [3658].
 - Transom Height: Min. 8" [203] to Max. 2' [610].
 - SX Panel Width: Max. Width 56" [1422].
 - SX Panel Size Limit = (SX Panel Width x Weight) < 800 ft-lbs [1084 N-m] Max.
- Power Requirements:
 - 120V +/- 10%, 50/60 Hz, 6.6A peak, 250 W. Up to 4 operators on a single 20A breaker. Service to header by electrician.
- Standards of Compliance:
 - UL 325 & CSA 22.2 (listed with ETL).
 - Designed to comply with these standards depending on installation and application:
 - International Building Code (Section 1008).
 - ANSI/ BHMA 156.10.
 - ANSI/ BHMA 156.38.
 - NFPA 101 Life Safety Code (Section 7.2.1.9).
 - Refer to Local, State, National or AHJ. Building Code for minimum door height and minimum/maximum width allowable for egress requirements.
 - Minimum ADA is 32" clear slide opening.
- Contact dormakaba Architectural Services for more information:
 - Phone: 1-844-SPEC-NOW (1-844-773-2669)