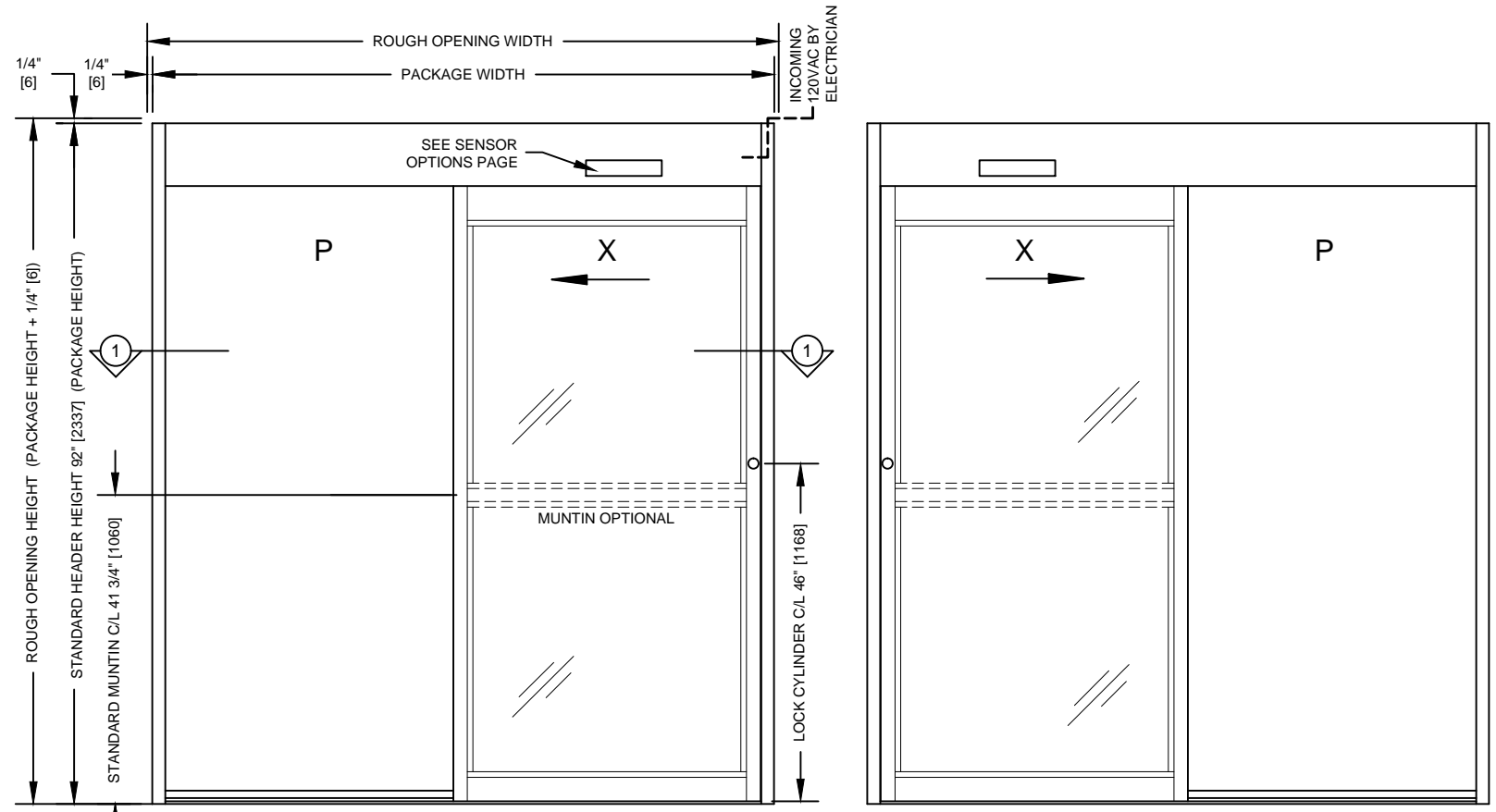
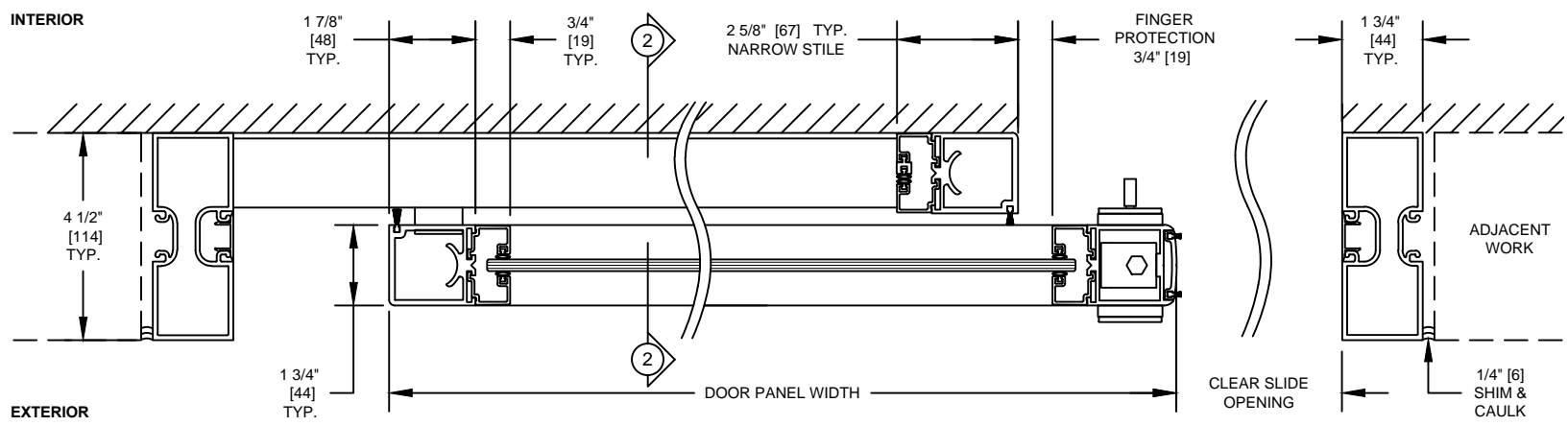


SECTION 2
TYPE: P-X, X-P



EXTERIOR ELEVATION
TYPE: P-X, X-P



SECTION 1
TYPE: P-X SHOWN, X-P OPPOSITE
DOOR SHOWN IN OPEN POSITION WITHOUT THRESHOLD

Package Width	Rough Opening Width	Clear Slide Opening	Door Panel Width
(7'-0") 84" [2134]	84 1/2" [2146]	35 7/16" [900]	41 1/2" [1054]
(8'-0") 96" [2438]	96 1/2" [2451]	41 7/16" [1053]	47 1/2" [1207]
(9'-0") 108" [2743]	108 1/2" [2756]	47 7/16" [1205]	53 1/2" [1359]
(10'-0") 120" [3048]	120 1/2" [3061]	53 7/16" [1357]	59 1/2" [1511]
Width Formulas	Package Width + 1/2" [13]	(Package Width / 2) - 6 9/16" [167]	(Package Width / 2) - 1/2" [13]

- This Surface Applied Single door package consists of:
 - Operator:
 - Two combination motion/presence sensors (one on each side) (See sensor options page).
 - ESA II motor drive unit with self-learning and self-monitoring microprocessor controller.
 - Jamb mounted 5 function rocker switch panel (see mode switch options page).
 - Panels:
 - 2-5/8" [67] Narrow stile door panels (including 3/4" [19] wide glass stop).
 - 3-1/4" [83] Optional muntin mounted at 41-3/4" [1060] centerline on all panels (including 3/4" [19] wide glass stop).
 - 4" [102] Bottom rails (including 3/4" [19] wide glass stop).
 - 1-3/4" [44] x 4-1/2" [114] Double pocket jambs.
 - Vertical and horizontal brush type weather stripping (AAMA-701-11Class A).
 - Manual mortise lock with thumb turn and key cylinder.
 - 3/4" [19] wide snap-in glass stops for glazing from 1/4" [6] to 1-1/4" [32] thick at 1/8" [3] increments.
 - 3-1/4" [83] x 1/8" [3] Beveled ADA Compliant Threshold.
 - Non-breakaway sliding door panels (X) and vertical pocket tubes (P).
 - Finishes:
 - Clear anodized (BHMA 204).
 - Dark Bronze anodized (BHMA 313).
- Typical Package Options:
 - Finishes: special anodized, PVDF (wet) paint, powder coat, and cladding available for header, panels and jambs only.
 - Muntins: multiple muntins, various heights, locations and recessed exit device.
 - Bottom Rails: 7" [178], 10" [254]. Other options available.
 - Santoprene rubber weather stripping available.
 - Locking and Security Options:
 - Fail-safe autolock sliding carrier lock concealed in header.
 - 2-point lock and reinforced strike.
 - Security contacts.
 - Keyed mode switch panel (5 function or 3 function) (see mode switch options page).
 - Jambs: 1-3/4" [44] x 4-1/2" [114] and 2" [51] x 6" [152] smooth available.
- Dimensions:
 - Drawing dimensions are in English & Metric units. Metric units are displayed as: 1" [25] millimeters.
 - Typical Package Dimensions (Glass thickness may be limited by panel size):
 - Each door package is manufactured to your custom size requirements.
 - Package Width: Min. 6'-6" [1981] to Max. 8' [2438].
 - Header Height: Min. 7'-4 1/2" Max. 10' [3048].
 - X Panel Weight: Max. Weight 440 lbs [200kg].
 - Maximum special application limits: (Sizes may be restricted due to complexity and application) (Please contact Dorma Architectural Services for dimensions outside of typical sizes above).
 - Package Width: Max. 21' [6401].
 - Header Height: Max. 12' [3658].
 - X Panel Width: Max. Width 72" [1829].
 - The maximum self-supported header width is 12' with 440 lb [200kg] X Panels.
- Power Requirements:
 - 120V +/- 10%, 50/60 Hz, 6.6A peak, 250 W. Up to 4 operators on a single 20A breaker. Service to header by electrician.
- Standards of Compliance:
 - UL 325 & CSA 22.2 (listed with ETL).
 - Designed to comply with these standards depending on installation and application:
 - International Building Code (Section 1008).
 - ANSI/ BHMA 156.10.
 - NFPA 101 Life Safety Code (Section 7.2.1.9).
 - Refer to Local, State, National or AHJ. Building Code for minimum door height and minimum/maximum width allowable for egress requirements.
- Contact Dorma Architectural Services for more information:
 - Email: Autosupport@dorma-usa.com
 - Phone: 1(844)773-2669