

ESA100

Fixed sidelite/non breakout automatic sliding door
with ESA II controller

Installation Manual

DL2844-010 – 02-2022

| EN |

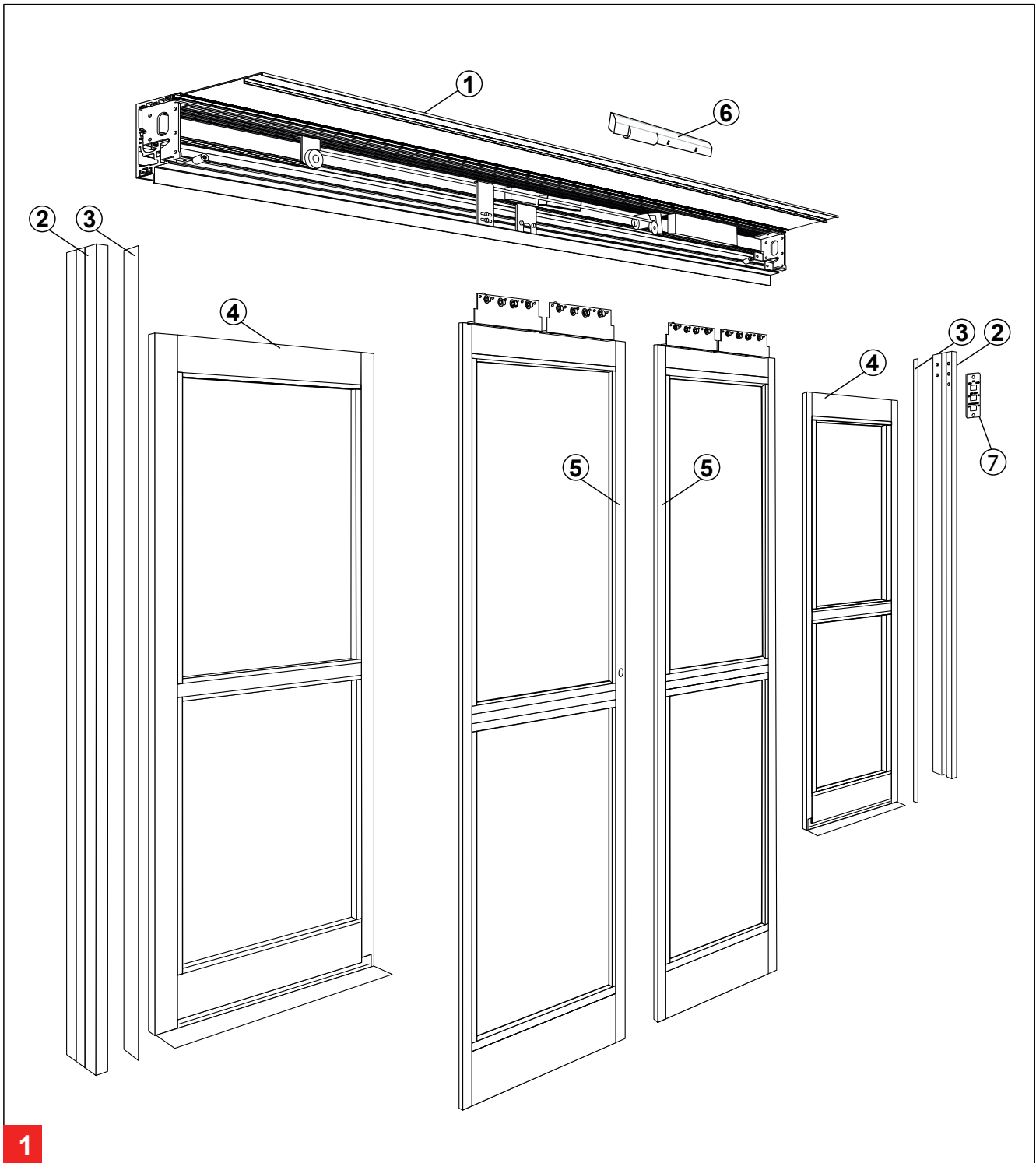
dormakaba 

Tools Required:

- Screwdrivers
 - Small Straight (FlatBlade) - for Terminal Block wiring
 - #2 Phillips (Crosspoint) - for various #8, #10, and #14 screws
- Wrenches / Sockets
 - 7/16" - for #1/4-20 Hex Head bolts attaching header to jambs
 - 1/2" (13mm) - for #5/16 Hex Head bolts attaching end stops and operator parts
 - 15/16" wrench - for carrier and anti-rise roller adjustment
- Allen Wrenches
 - 3mm - for "SX" & "SO" roller catch adjustment
 - 1/8" - for "SO" arm stop & "SX" bottom pivot
 - 5/32" - for "SO" top pivot
 - 5mm (3/16") - for "SO" arm pivot screw
 - 7/32" - for "SX" breakout adjustment
 - 5/16" - for carrier and anti-rise roller adjustment
- Electric Drill with the following drill bits
 - 9/64" (or#28) - for installing sensors & "SO" bottom roller stop
 - 5/32" (or#22) - for installing #10 sheet metal screws into adjacent storefront
 - 13/64" (or#7) - for installing #14 sheet metal screws into adjacent storefront
 - 1/4" - for clearance holes in jambs
 - 82 degree Countersink
- Impact Drill with the following masonry bits
 - 1/4" - for #10 screw anchors
 - 5/16" - for #14 screw anchors
- Level - suggested 4' minimum
- Step Ladder - 4' or 6'
- Tape Measure
- Caulking and Application Gun
- Electrical Wire Strippers / Cutters - for sensor wiring
- Grease [to hold "SX" bottom guide block on shaft]
- BEA Universal Remote Control - for adjusting sensors

Suggested Fasteners Required - (Not supplied)

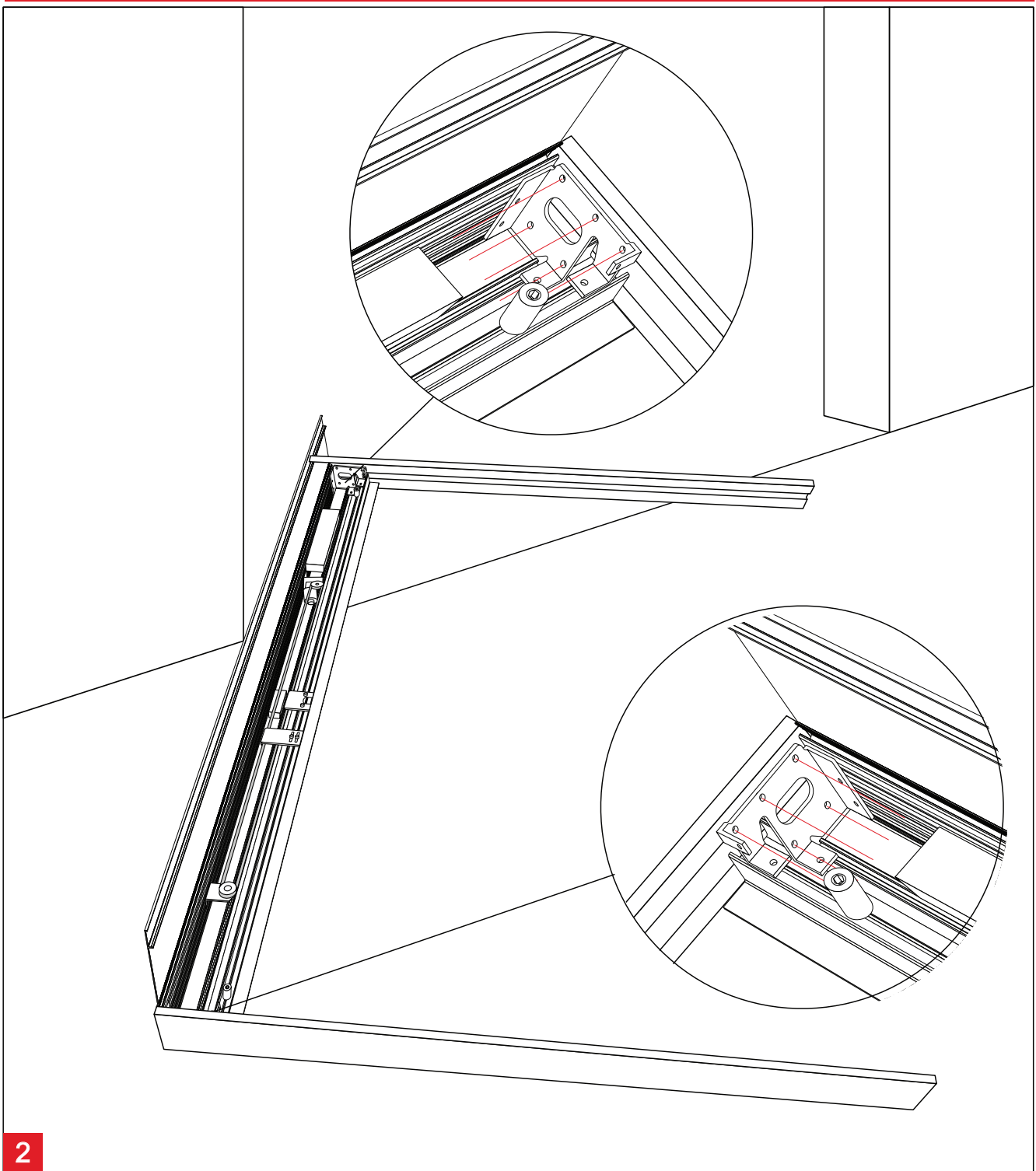
- Jamb Attachment Screws
 - #14 X 2-1/2" PHSMS (Pocket Jambs)
 - #14 X 3" FHSMS (Tube Jambs)
 - Optional Anchors for masonry
- Threshold Attachment Screws
 - #10 X 1-1/2" FHSMS
 - Optional Anchors for masonry
- Header Attachment Screws
 - #14 X 1-1/2" HHSMS
 - #14 Flat Washer
- Construction Shims - for squaring door frame in opening



1

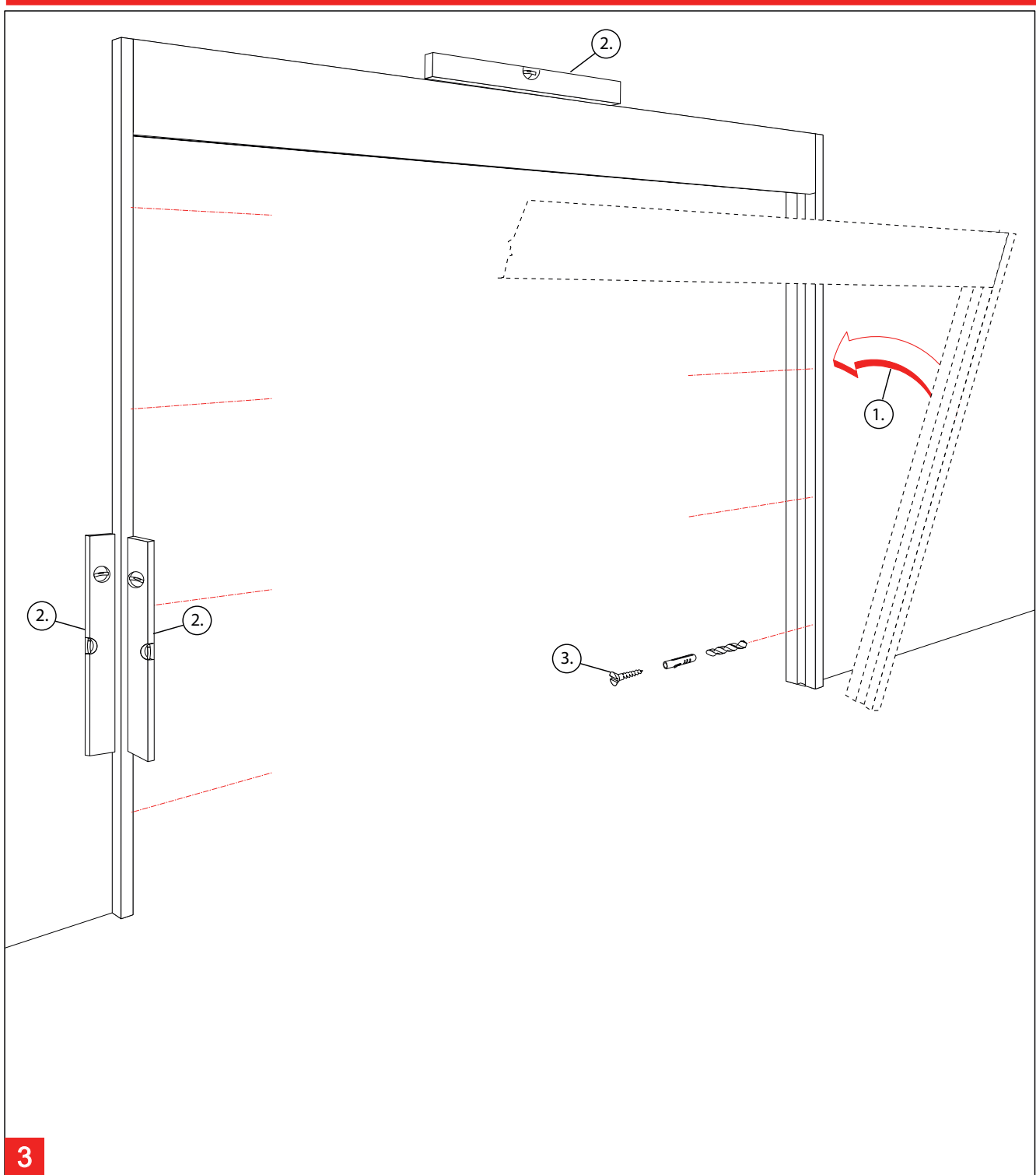
Components - Overview

- | | | |
|---------------|-------------------------------|------------------|
| ① Header Unit | ④ Fixed Sidelight ("O" Panel) | ⑦ Program Switch |
| ② Jamb | ⑤ Sliding Panel ("SX" Panel) | |
| ③ Jamb Filler | ⑥ Sensor | |




Header to Jamb Assembly

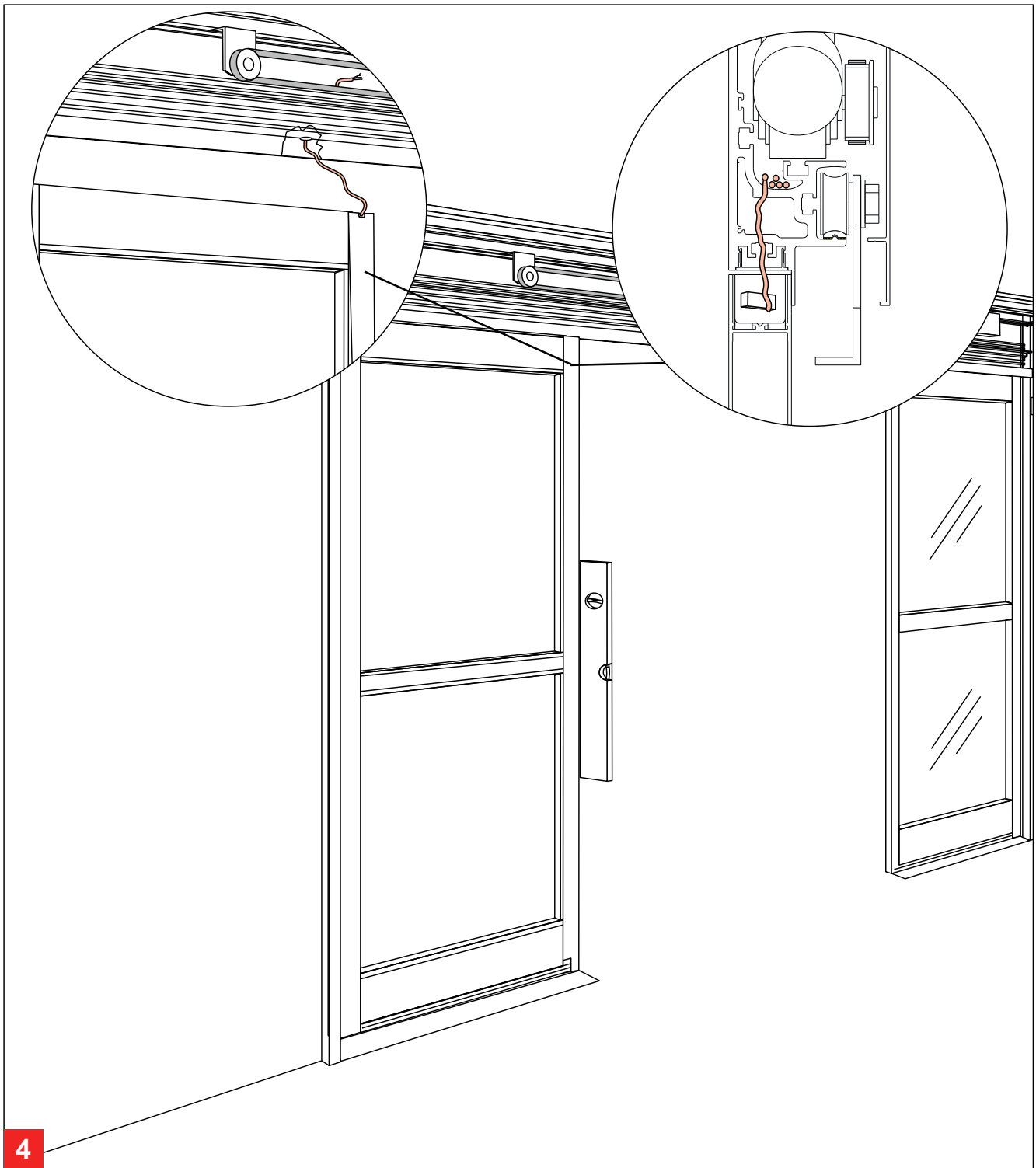
Fasten the header unit to the jambs using (5) 1/4-20 x 1" hex bolts per side. 7/16" socket/wrench required.



3

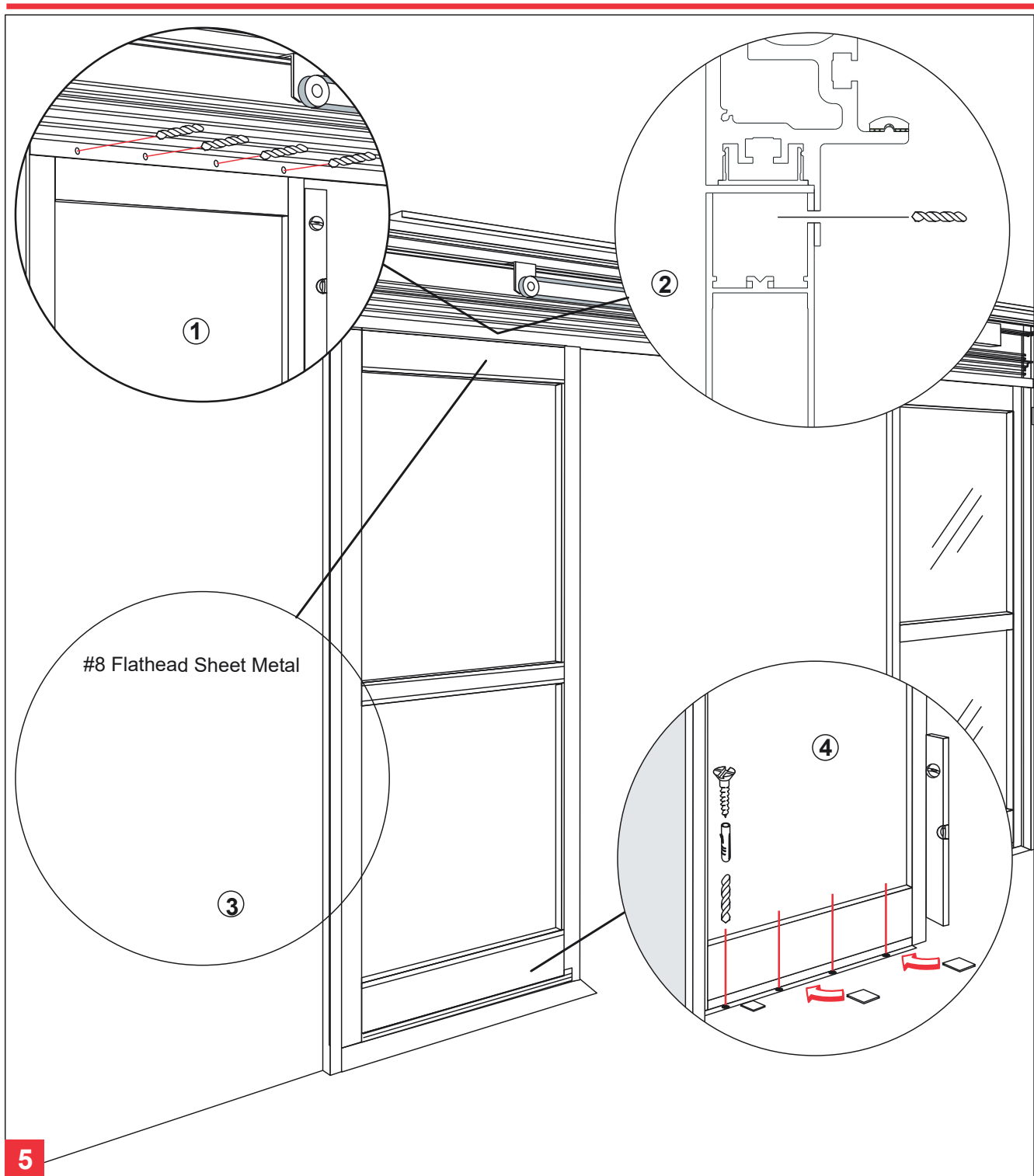
Assembly

- ① Place the header & jamb assembly into the rough opening.  The mounting of the operator to the rough opening must meet applicable building codes and standards.
- ② Level all sides and shim as required.
- ③ Fasten assembly into rough opening, after verifying unit is level and plumb in all directions.



Sidelite Mounting

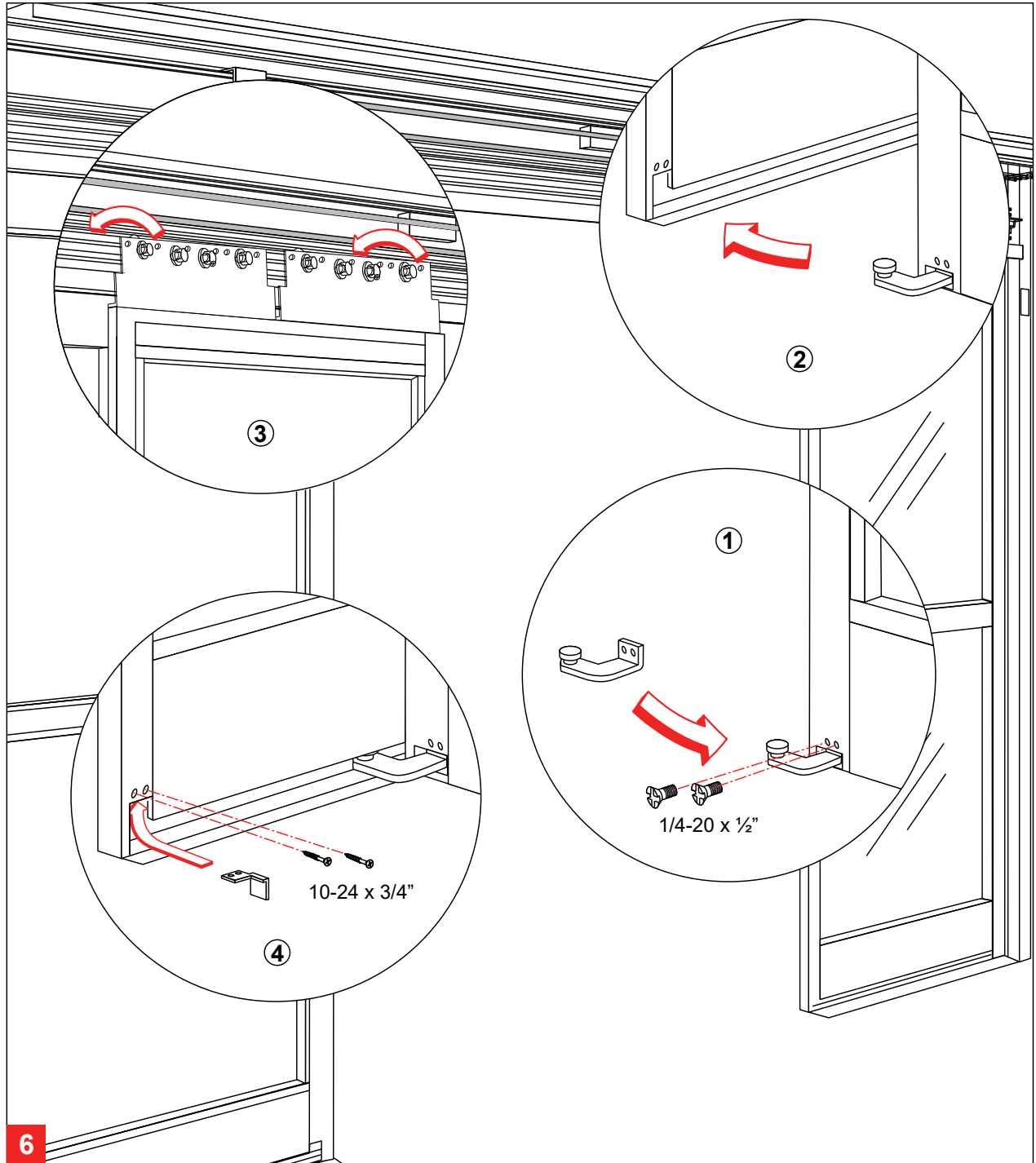
If optional safety beams are used, Feed the safety beam cables through the pre-drilled holes in the header and lay in the radiused trough as shown above. Stand the sidelite in place and plumb all sides. If necessary, use shims below the track to level any unevenness in the flooring. Secure the sidelite in position using clamps or similar means.



Securing the Sidelite

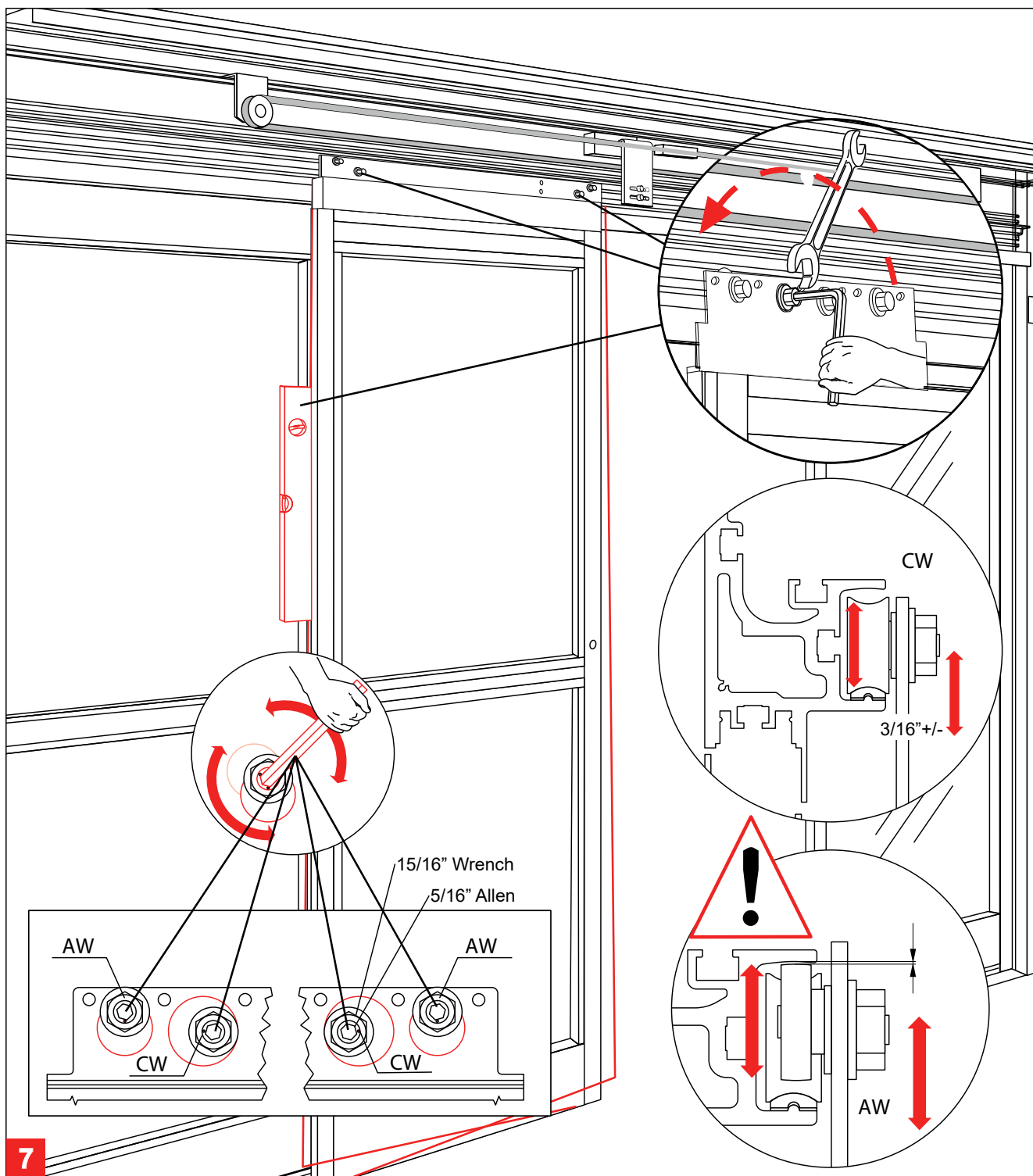
- ① Verify that the sidelite is plumb in all directions and properly seated against the jamb.
- ② Pre-drill holes through header and sidelite on top with 1/8" drill.
- ③ Use screws to attach the sidelite on top, to the header.
- ④ Secure the bottom of the sidelite by drilling through the holes in the floor rail, shim as necessary, then fasten into place.

Verify that the sidelite is plumb in all directions and make any necessary adjustments.



Hanging the Sliding Panel

- ① Fasten the bottom guide wheel to the sliding panel(s). Phillips screwdriver required.
- ② Place each sliding panel next to the fixed sidelite, but oriented 90° to the sidelite and lead the guide wheel into the track at the bottom of the sidelite.
- ③ Rotate the panel so that it is parallel to the fixed sidelite and place carrier wheels onto header track.
- ④ Insert and fasten the cover angle bracket. Phillips screwdriver required.

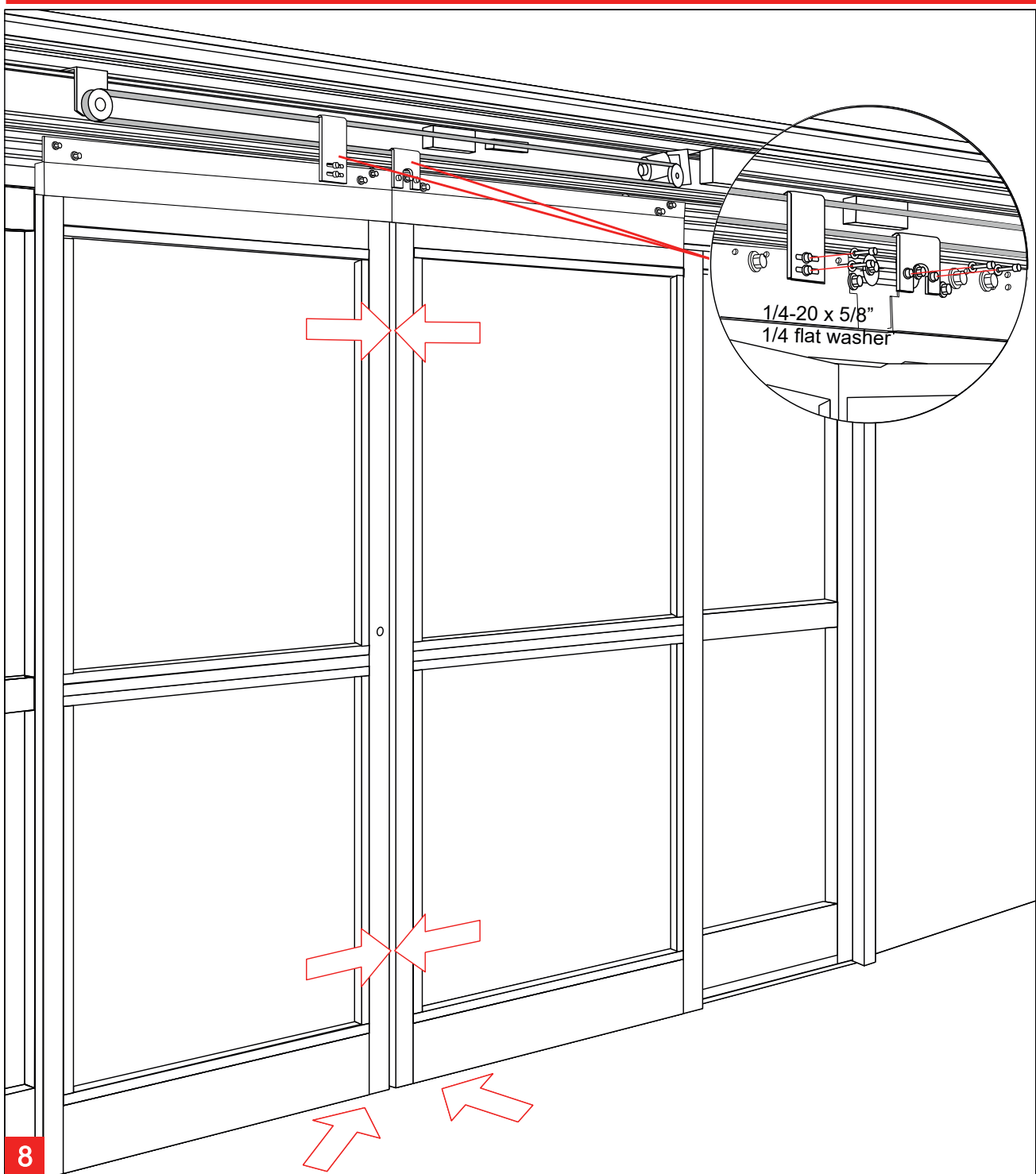


7

Vertical Alignment for X panel

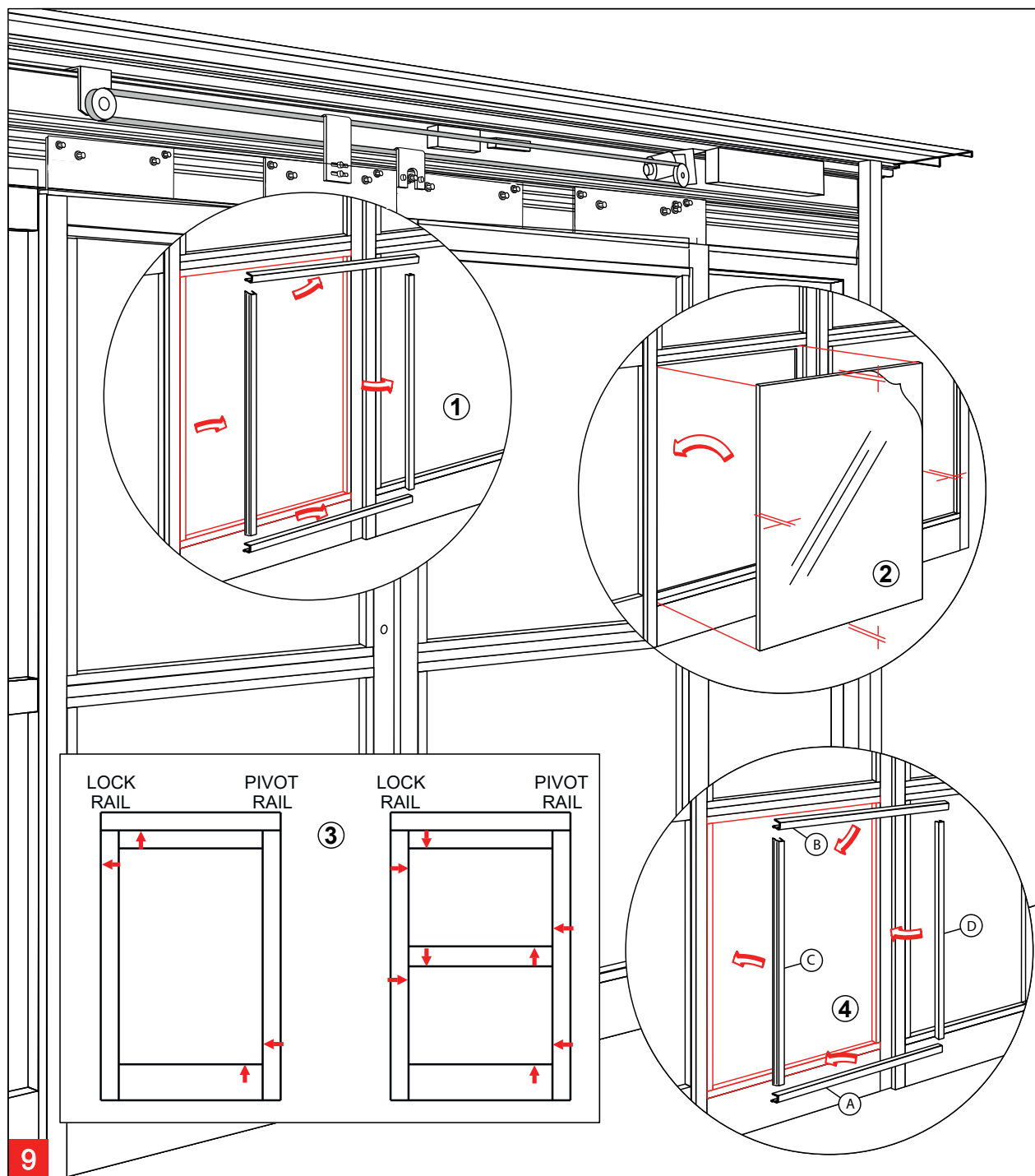
Using the eccentric carrier wheel (CW) and the anti-riser wheel (AW) level the sliding panel. Tighten hex nuts to secure the adjustment.

! Adjustment of the anti-riser roller:
The anti-riser roller should not contact the top track anywhere along the slide path of the door.



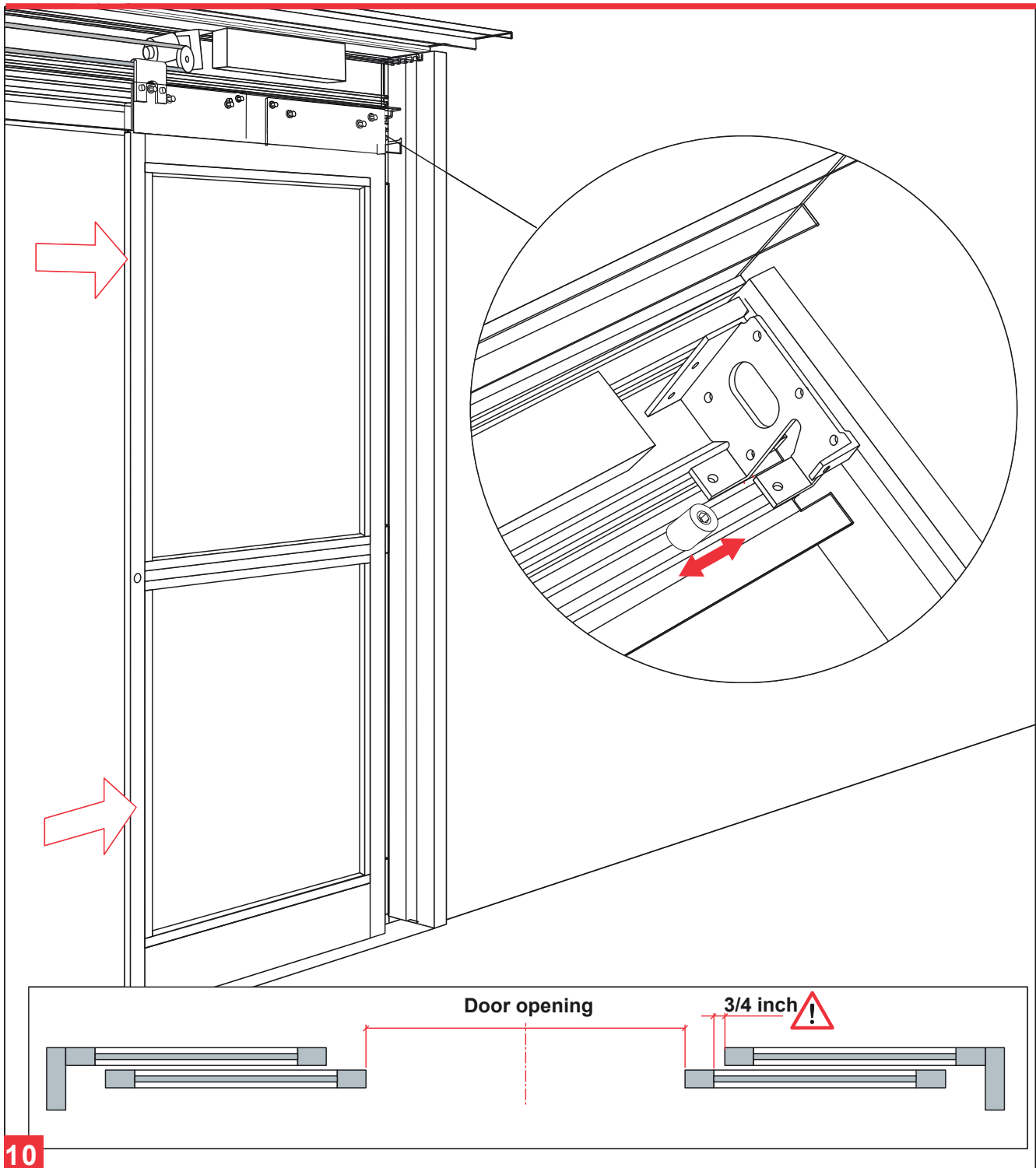
X Panel Centerline Adjustment

1. With the lower belt bracket securely fastened and the upper belt bracket in its loose position, the SX panels can be properly adjusted to their center position.
2. After panels are centered, fasten upper belt bracket to carrier. 7/16" socket or wrench required.



Glazing

- ① Remove the glass stops from interior ("SO" panel) , or exterior ("SX" panel) side (4 per opening).
- ② Center the glass in opening.
- ③ Properly block and/or cushion glass edges.
- ④ Press the glass stops into place starting with the horizontal stops, then follow with the vertical stops.



10

Adjustment of the End Stops

End stops are installed at the factory. Adjustments should be made by loosening the bolt and sliding the stop to the appropriate position. Be sure adjustments are made symmetrically to the door opening, while providing proper finger safety per ANSIA156.10 standards. 1/2" socket or wrench required.

This page left intentionally blank.

