

A black and white photograph of a modern interior. A large glass door system is the central focus, partially open, revealing a living area with a white sofa and a window with blinds. To the right, a glass display cabinet contains shelves with shoes and a desk with a computer monitor. The floor is covered in a textured rug.

DORMA BEYOND

Anti-Pinch Glass Door System



Bottom pivot point option —
Short rod on a floor pivot

CONTENTS

DORMA BEYOND	Pinch Free & Easy Operation	3
	Short Pivot Rod	4
	Full Length Pivot Rod	4
	Pivot Assemblies	5
	Glass Preparation	6
	Accessories	7

DORMA BEYOND

Pinch Free & Easy Operation

The unique DORMA BEYOND system for glass doors is safe, functional, and attractive.

Characterized by its sleek design and clear styling lines, **DORMA BEYOND** enables you to build frameless swing glass doors into tempered glass assemblies and wall openings. Whether your application is residential or commercial, modern or traditional, this system is the elegant, technically perfect solution.

The patented DORMA BEYOND swing door system locates its pivot point in the center of the glass axis and close to the glass edge, ensuring safe, pinch free operation and security. This feature reduces the risk of trapped fingers.

The options of an elegant, full length pivot rod or a short rod make the system adaptable to any room situation. To meet your design requirements, DORMA BEYOND offers pulls, handles, and locksets for interior tempered glass doors. For more information, please refer to the glass Systems and Solutions Price List.

Developed with market requirements in mind, DORMA BEYOND offers a practical alternative whenever you need to complement security, safety, and functionality with attractive design.

Swing Door System

The **DORMA BEYOND** swing door system is available with either a short pivot rod or full length pivot rod. The short pivot rod system

provides a versatile solution regardless of the door dimensions, while the full length pivot rod system offers complete freedom from the risk of trapped fingers. By locating the pivot point of the swing door right at the glass edge and providing a round profile, the full length pivot rod reduces pinch hazards to zero.

DORMA floor pivots form the ideal base for ensuring the door always returns safely and securely to its zero position. For floor mounting single-acting and particularly double-acting doors, the **DORMA BTS** floor closer offers a convenient alternative to the floor pivot. In this case, DORMA recommends a glass sidelite because the pivot point position requires the closers to be buried under the adjacent wall.

The top connection depends on the type of unit. When incorporating the glass door into a tempered glass assembly, a transom pivot assembly forms the top connection. For framed openings, a top pivot bearing is installed to the ceiling or in the header. Load transfer from the transom and sidelite can be supported using a mechanical channel (see back page). DORMA BEYOND is available for 3/8" (10 mm) and 1/2" (12 mm) glass.

Finishes for pivot assemblies and accessories

- EV1-Deco, Similar to Clear Anodized (114)
- Similar to Satin Stainless Steel (107)

A slim connector — Transom pivot assembly



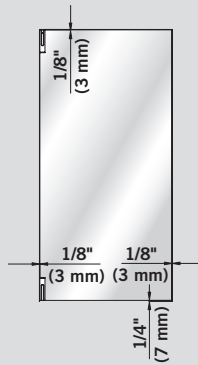
Minimal pinch-free gaps even with the short pivot rod



Short Pivot Rod

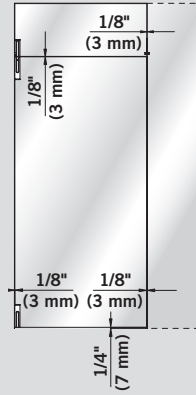


Basic set for individual door.
For installation in masonry.



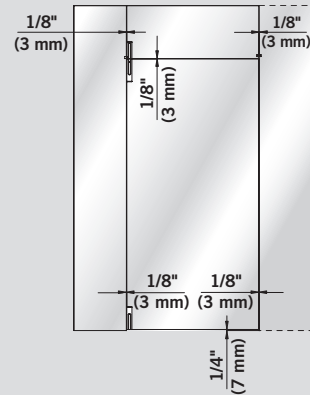
- 3/8" (10 mm) glass
Ref. # 830.100
- 1/2" (12 mm) glass
Ref. # 830.101

Basic set and transom set wall connector for door with transom.
Optionally with sidelite on closing side.



- Max. door weight**
176 lb (80 kg)
- Max. door width**
39-3/8" (1000 mm)
- Max. door height**
86" (2185 mm)

Basic set and transom wall connector for door with transom and sidelite on pivot point side.
Optionally with sidelite on closing side.

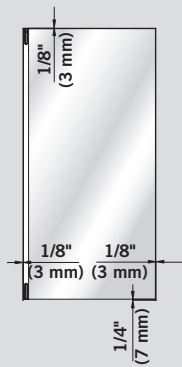


- With transom –**
- Max. transom height**
39" (990 mm)
- Max. transom height**
23" (584 mm)

Full Length Pivot Rod

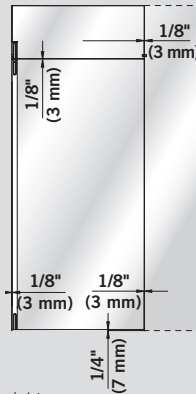


Basic set for individual door.
For installation in masonry.



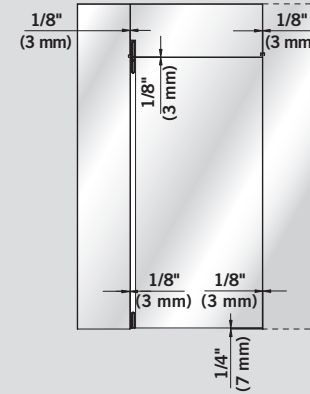
- 3/8" (10 mm) glass
Ref. # 830.110
- 1/2" (12 mm) glass
Ref. # 830.111

Basic set and transom set wall connector for door with transom.
Optionally with sidelite on closing side.



- Max. door weight**
176 lb (80 kg)
- Max. door width**
39-3/8" (1000 mm)
- Max. door height**
86" (2185 mm)

Basic set and transom wall connector for door with transom and sidelite on pivot point side.
Optionally with sidelite on closing side.



- With transom –**
- Max. transom width**
39-3/8" (1000 mm)
- Max. transom height**
24" (610 mm)

NOTE: Please indicate exact door height.

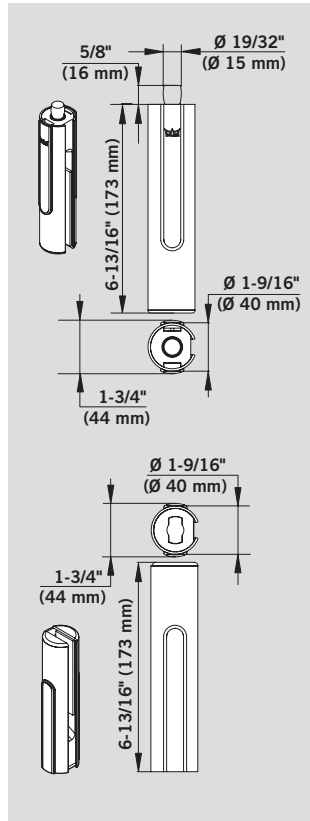
PIVOT ASSEMBLIES

Short Pivot Rod Basic Set

Pivoting assembly set, short type

Set includes:

- 1 top pivot assembly with pivot $\varnothing 19/32"$ (15 mm)
- 1 bottom pivot assembly with insert for DORMA floor closer spindle (90° rotation, e.g. DORMA BTS80) or round pivot

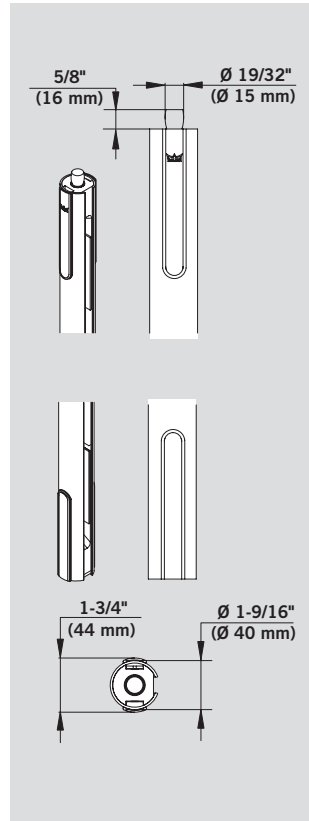


Full Length Pivot Rod Basic Set

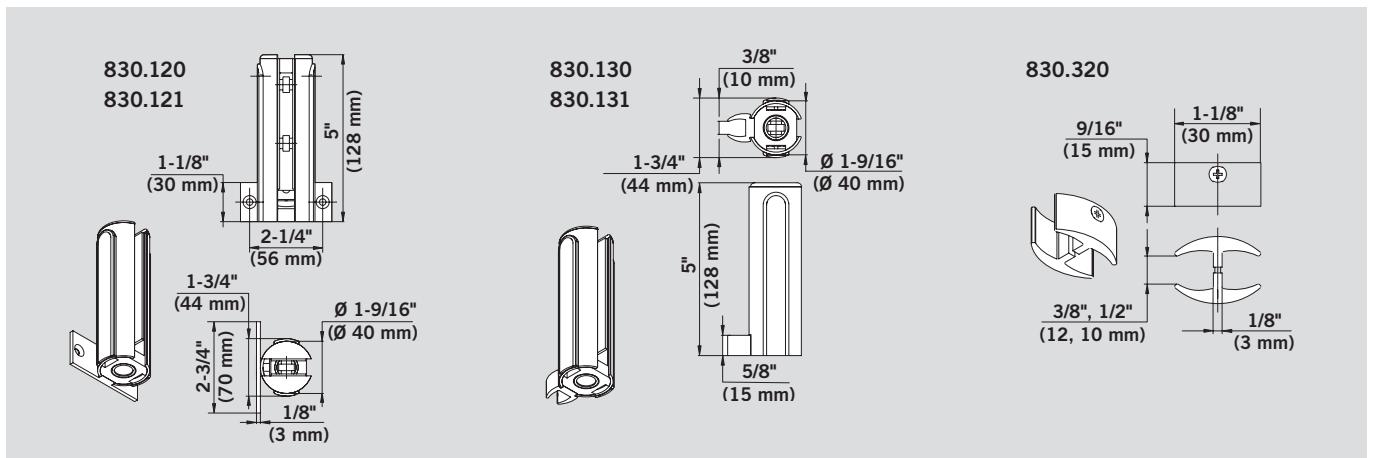
Pivoting assembly set, long type

Set includes:

- pivot $\varnothing 19/32"$ (15 mm) at top
- insert for DORMA floor closer spindle (90° rotation, e.g. DORMA BTS80) or round pivot at bottom



Accessories



BEYOND transom assembly, wall connector
with plastic socket for top pivot.

- 3/8" (10 mm) glass
Ref. # 830.120
- 1/2" (12 mm) glass
Ref. # 830.121

BEYOND transom assembly, glass connector
with plastic socket for top pivot.

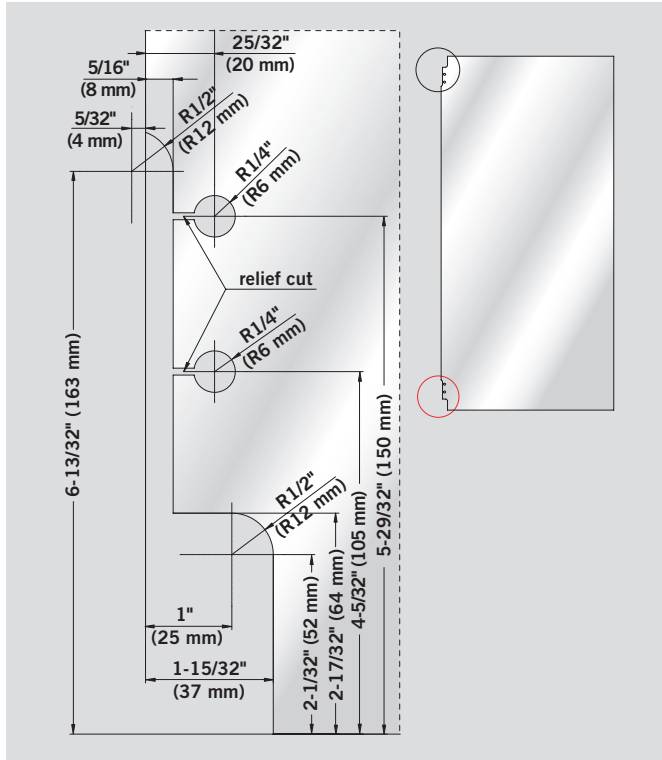
- 3/8" (10 mm) glass
Ref. # 830.130
- 1/2" (12 mm) glass
Ref. # 830.131

BEYOND glass connector, plastic, black, for connection of side panel at closing side.

- 3/8" (10 mm) glass & 1/2" (12 mm) glass
Ref. # 830.320

GLASS PREPARATION

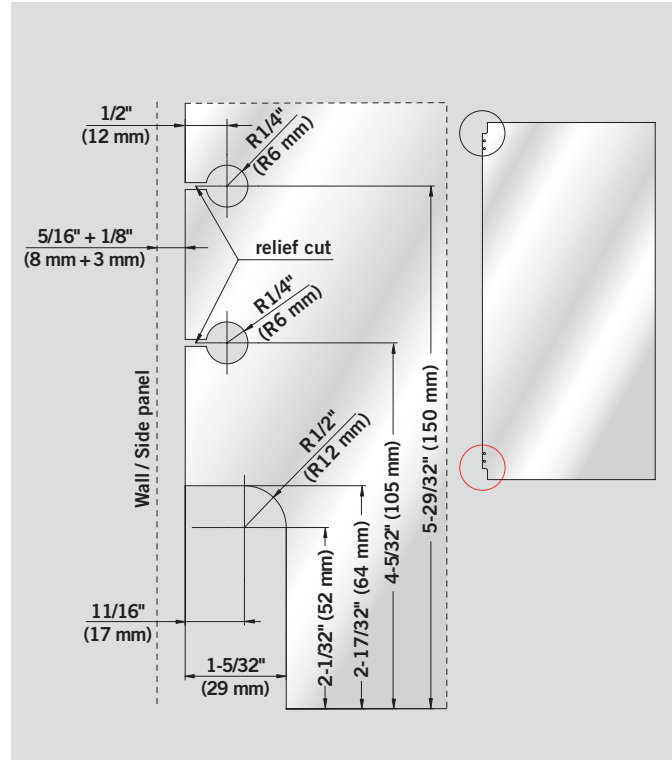
Pivoting Assembly Set, Short Type



Drawing shows bottom glass penetration. Top edge of glass is reversed accordingly.

- 3/8" (10 mm)
Ref. # 830.100
- 1/2" (12 mm)
Ref. # 830.101

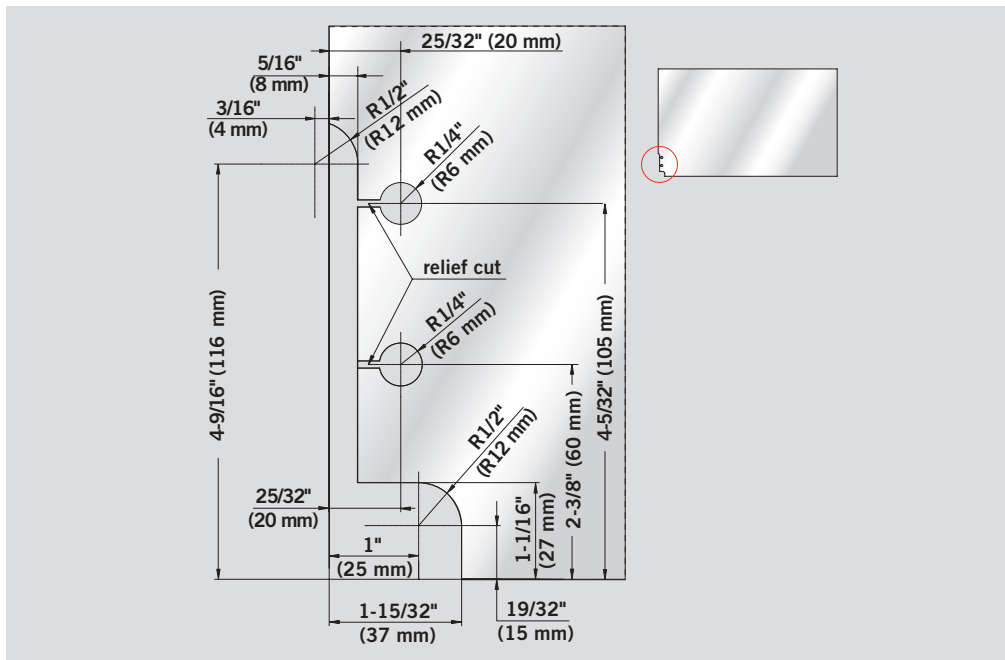
Pivoting Assembly Set, Long Type



Drawing shows bottom glass cut. Top edge of glass is reversed accordingly.

- 3/8" (10 mm)
Ref. # 830.110
- 1/2" (12 mm)
Ref. # 830.111

Transom Assembly

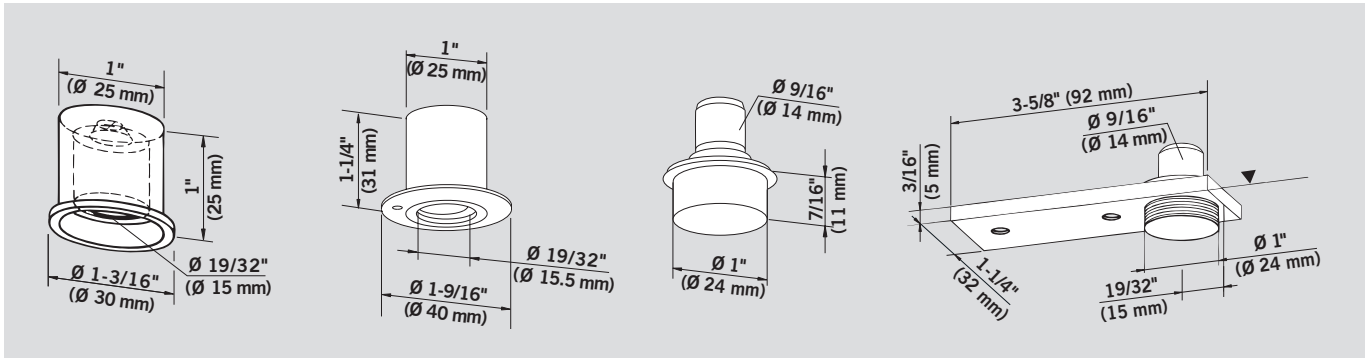


Wall connector and glass connector

- 3/8" (10 mm)
Ref. # 830.120
- 1/2" (12 mm)
Ref. # 830.121
- 3/8" (10 mm)
Ref. # 830.130
- 1/2" (12 mm)
Ref. # 830.131

DORMA BEYOND ACCESSORIES

Pivot Bearings



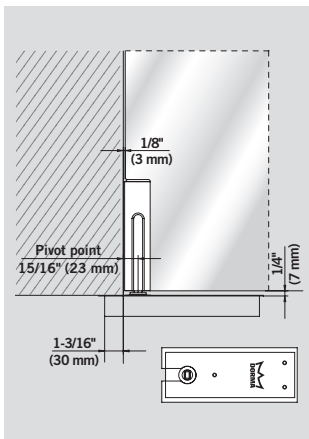
Top pivot bearing, aluminum, for installation in frame or ceiling for $\varnothing 19/32"$ ($\varnothing 15$ mm) pivot pin.
Ref. # 901.130

Eccentric socket, zinc coated brass, with adjustable plastic socket insert.
Ref. # 905.194

Floor pivot bearing with round pivot $\varnothing 9/16"$ ($\varnothing 14$ mm), and pin $\varnothing 1"$ ($\varnothing 24$ mm)
Max. door weight 220 (100 kg).
Ref. # 901.107

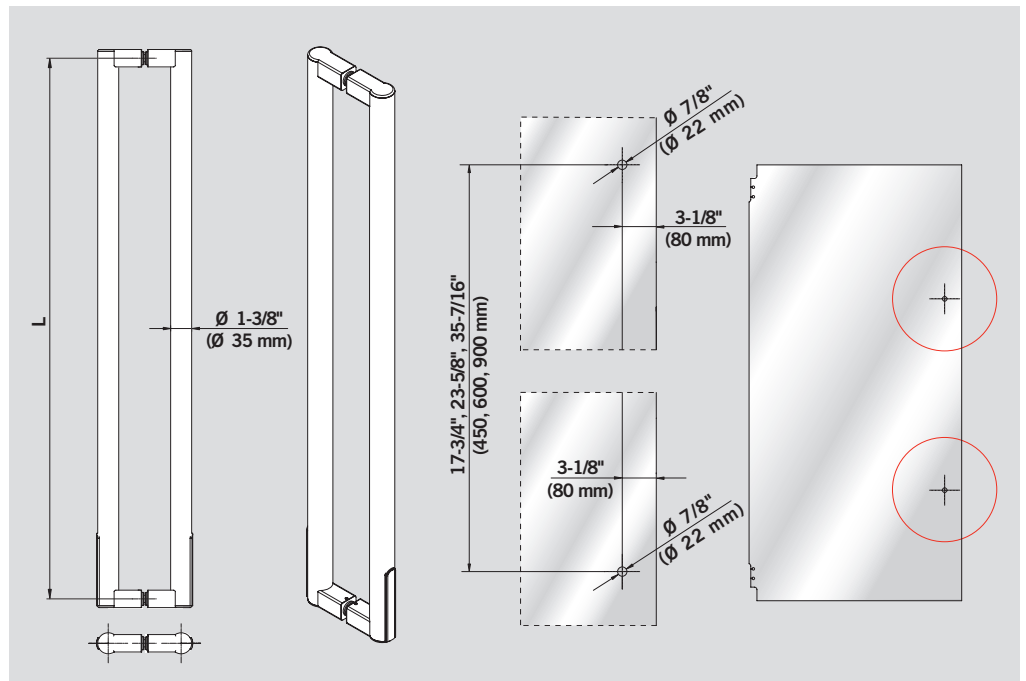
Floor pivot bearing with round pivot $\varnothing 9/16"$ ($\varnothing 14$ mm), and cover plate; height adjustable by 3/16" (5 mm)
Max. door weight 220 lb (100 kg).
Ref. # 901.106

BTS Option



DORMA BTS option
 If you use a BTS closer, DORMA recommends including a glass sidelite because the pivot point position requires the closers to be buried under the adjacent wall.

Handles



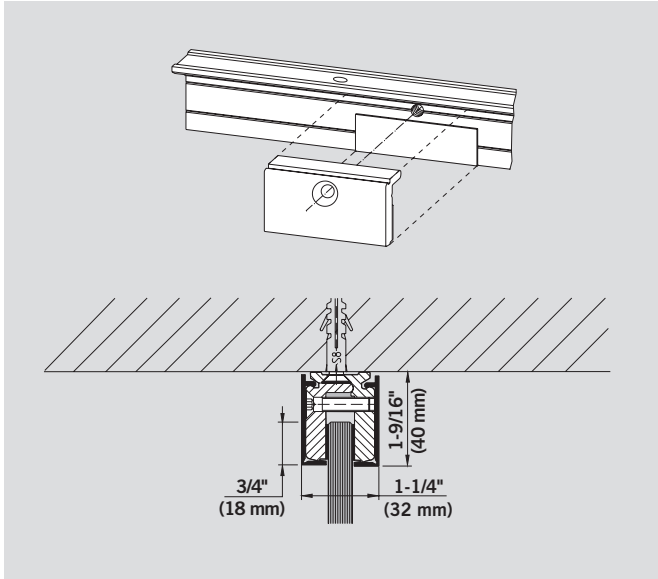
Length (L)	Ref. #
17-3/4" (450 mm)	830.300
23-5/8" (600 mm)	830.305
35-7/16" (900 mm)	830.310

BEYOND handle for 3/8" (10 mm) and 1/2" (12 mm) glass, two-hole attachment.

Available Finish (107) Similar to Satin Stainless finish.



Mechanical Channel



Mechanical Channel

All around frame system for tempered glass assemblies, with fasteners on sides and ceiling, consisting of: base section, with tapped holes every 11-13/16" (300 mm), including clamping parts with screws and gasket strips.

Base Profile

Ref. # 807.045
118" (2997 mm) stock length

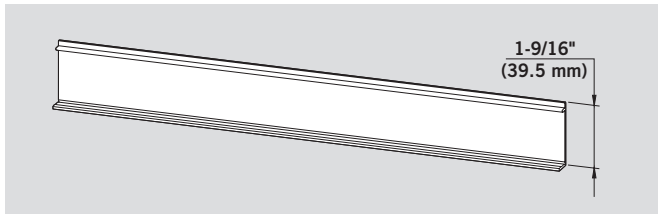
Clamping Bracket

- 3/8" (10 mm)
Ref. # 807.004
- 1/2" (12 mm)
Ref. # 807.085
- 5/8" (15 mm)
Ref. # 807.087
- 3/4" (19 mm)
Ref. # 807.089

End Caps (not shown)

- 3/8" (10 mm) &
1/2" (12 mm)
Ref. # 807.007
- 5/8" (15 mm) &
3/4" (19 mm)
Ref. # 807.065

Clip on Cover



Clip on cover profile

118" (2997 mm) stock length, also available in brass, stainless steel satin, and stainless steel polished
Ref. # 807.003

Note: For further accessories and locks, see appropriate technical brochures.

www.dorma.com



DORMA USA, Inc.
Dorma Drive, Drawer AC
Reamstown, PA 17567
Tel: 800 523 8483
Fax: 800 274 9724
archdw@dorma-usa.com

DORMA Canada
1680 Courtney Park Drive, Unit 13
Mississauga, Ontario L5T 1R4
Tel: 800 387 4938
Fax: 905 670 5850
www.dormacanada.com

DORMA Mexico
Calle Sur 110 no. 63, Col. Tolteca
01150 México, D.F.
Tel: 5255 5272 6937
Fax: 5255 5272 6948
operacion@dorma.com.mx