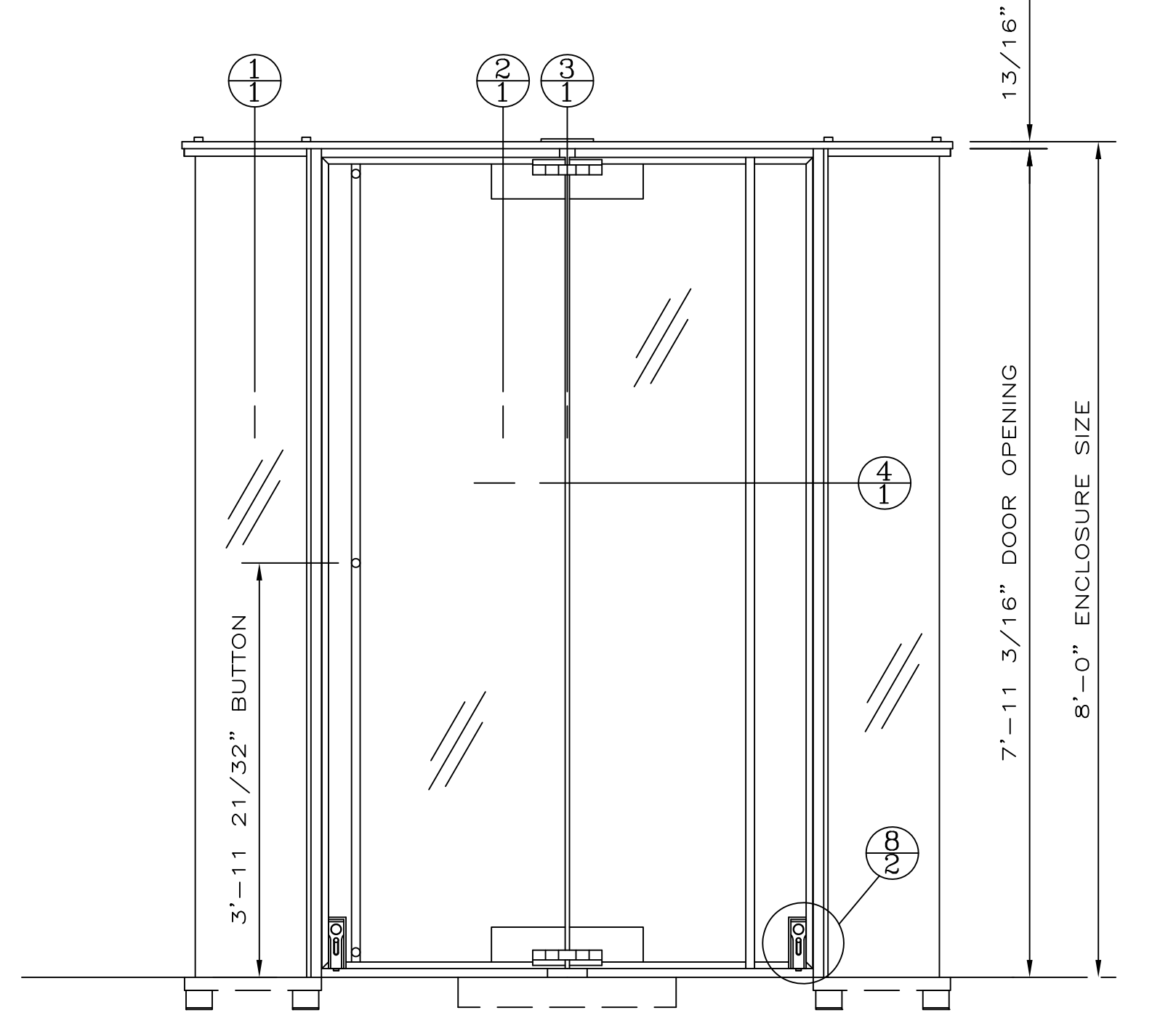


SEE SHEET 2 FOR CANOPY PLAN

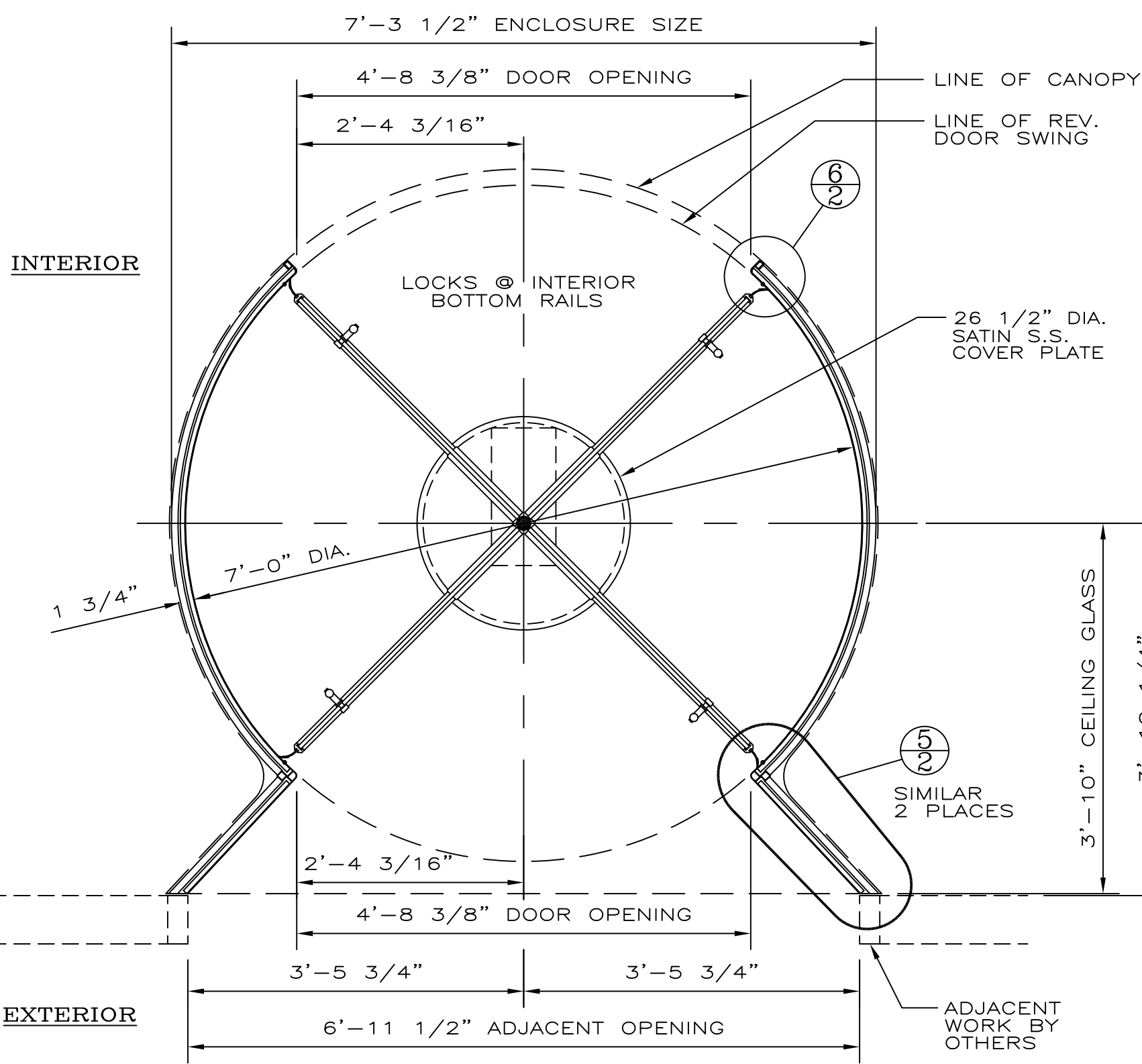


INTERIOR ELEVATION

ONE (1) DOOR REQUIRED THUS
SCALE: 3/4" = 1'-0"

NOTE: FLOOR UNDER REV. DOOR MUST BE LEVEL

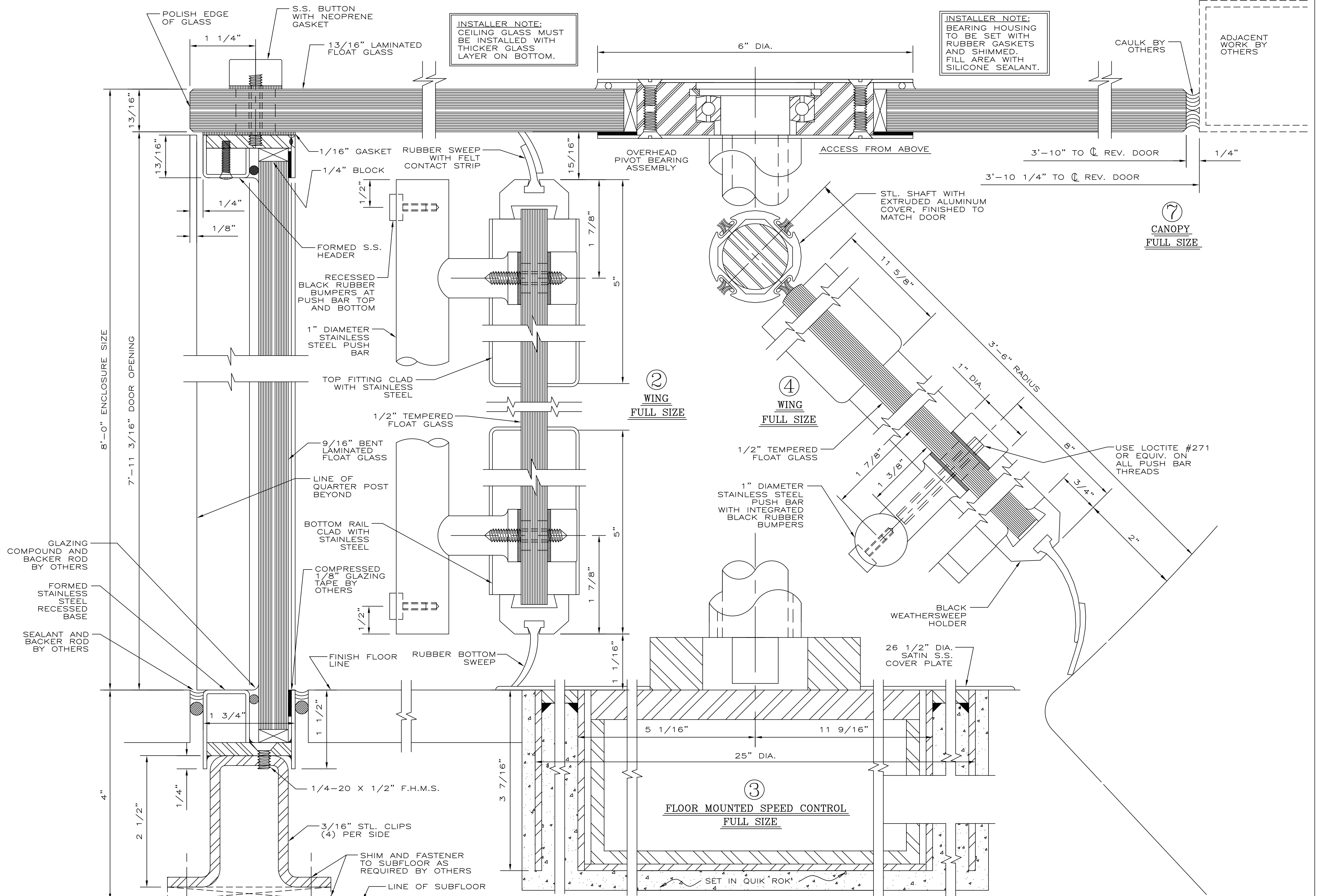
INTERIOR



EXTERIOR

PLAN

SCALE: 3/4" = 1'-0"



GENERAL NOTES

CONTRACTOR SHOULD CHECK & TAKE NOTE OF ALL DIMENSIONS AS C.D.C. (CRANE DOOR CO.) ASSUMES NO RESPONSIBILITY BEYOND MANUFACTURING IN ACCORDANCE WITH THE DIMENSIONS SHOWN ON SHOP DRAWINGS.

APPROVAL INDICATES THAT THIS SHOP DRAWING HAS BEEN CHECKED AND THAT YOU AUTHORIZE US TO FABRICATE MATERIALS AS SHOWN HERE-IN.

REVOLVING DOOR PERIMETER CAULKING (INCLUDING BASE SECTION TO FLOOR) AND CANOPY COVER CAULKING NOT BY C.D.C. ALL HOLES IN FLOOR NOT BY C.D.C.

MATERIAL TO BE:
MINIMUM .060 THICKNESS STAINLESS STEEL TYPE 304

FINISH TO BE:
CRANE STANDARD #4 SATIN

GLASS TO BE: CLEAR
1/2" TEMPERED FLOAT FOR WINGS (FACTORY GLAZED)
9/16" BENT LAMINATED FLOAT FOR ENCLOSURE
13/16" LAMINATED FLOAT FOR CEILING
9/16" LAMINATED FLOAT FOR SPAYED EXTENSIONS
GLASS TO MEET ANSI Z97.1 AND 16 CFR 1201.
ALL GLASS TO HAVE SAFETY LOGOS.
IF ADDITIONAL LOGOS ARE REQUIRED PLEASE SPECIFY.

HARDWARE SCHEDULE

- FLOOR MOUNTED MANUAL SPEED CONTROL UNIT.
- OVERHEAD MOUNTED PIVOT BEARING.
- FULVIEW II PANIC PROOF BOOK-FOLD MECHANISM IN COMPLIANCE WITH ALL APPLICABLE REGULATIONS.
- LOCKS: SPECIAL REV. DOOR TYPE TWO (2) REQUIRED INSTALLED AT BOTTOM OF TWO ADJACENT WINGS WITH LOCK MOUNTING PLATES FOR INTERIOR LOCKING. FLOOR STRIKES PROVIDED.
- CYLINDERS: STANDARD SIZE MORTISE TYPE, TWO (2) REQUIRED PER REV. DOOR UNIT, TO BE SUPPLIED BY OTHERS TO C.D.C. FOR SHOP INSTALLATION.
- PUSH BARS: VERTICALLY MOUNTED 1" DIA. STAINLESS STEEL, FINISH TO MATCH DOOR.

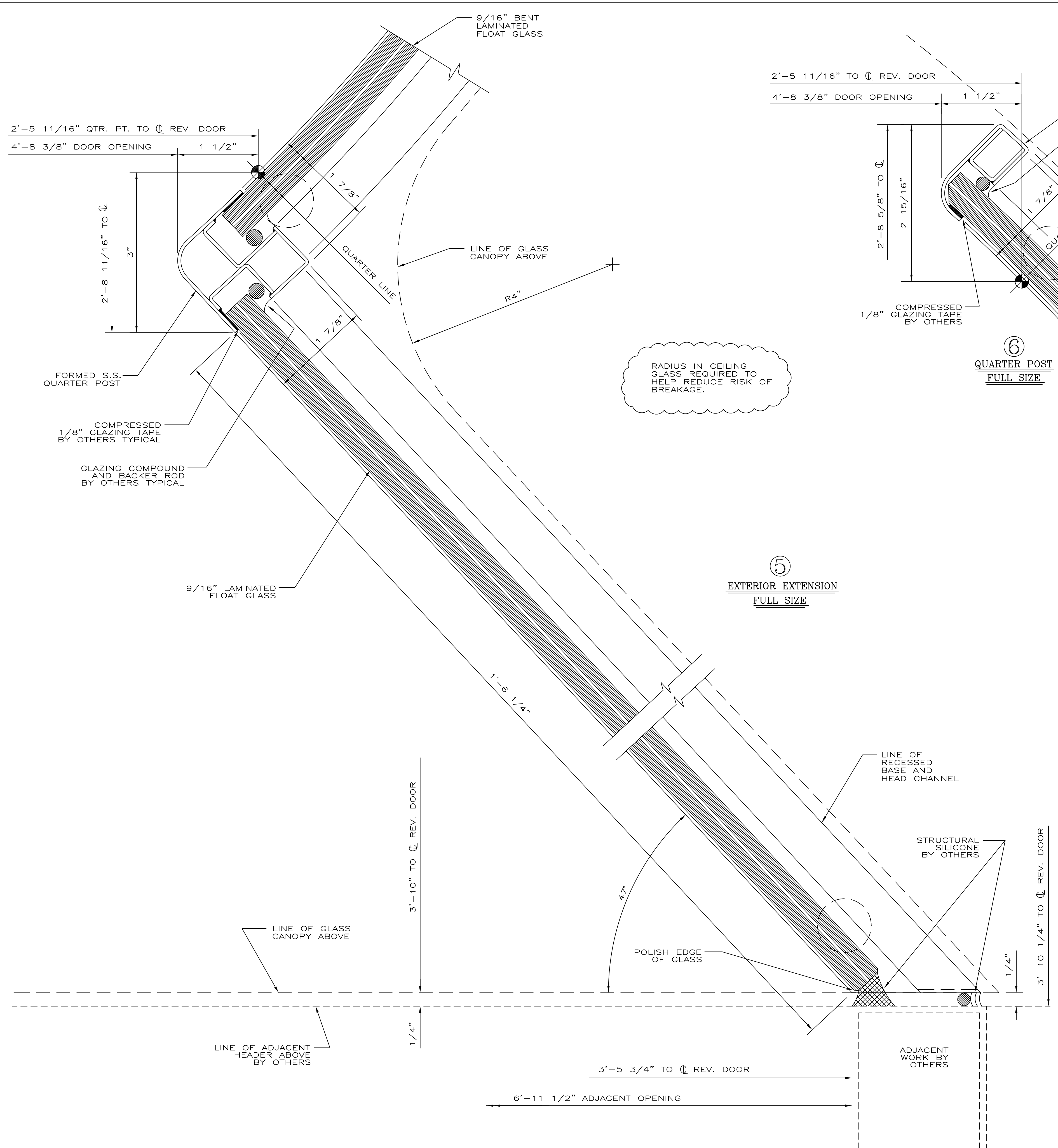
INSTALLER NOTE:
BOOK-FOLD TENSION IS NOT PRESET; IT MUST BE ADJUSTED TO MEET BUILDING CONDITIONS.

CONTRACTOR NOTE:

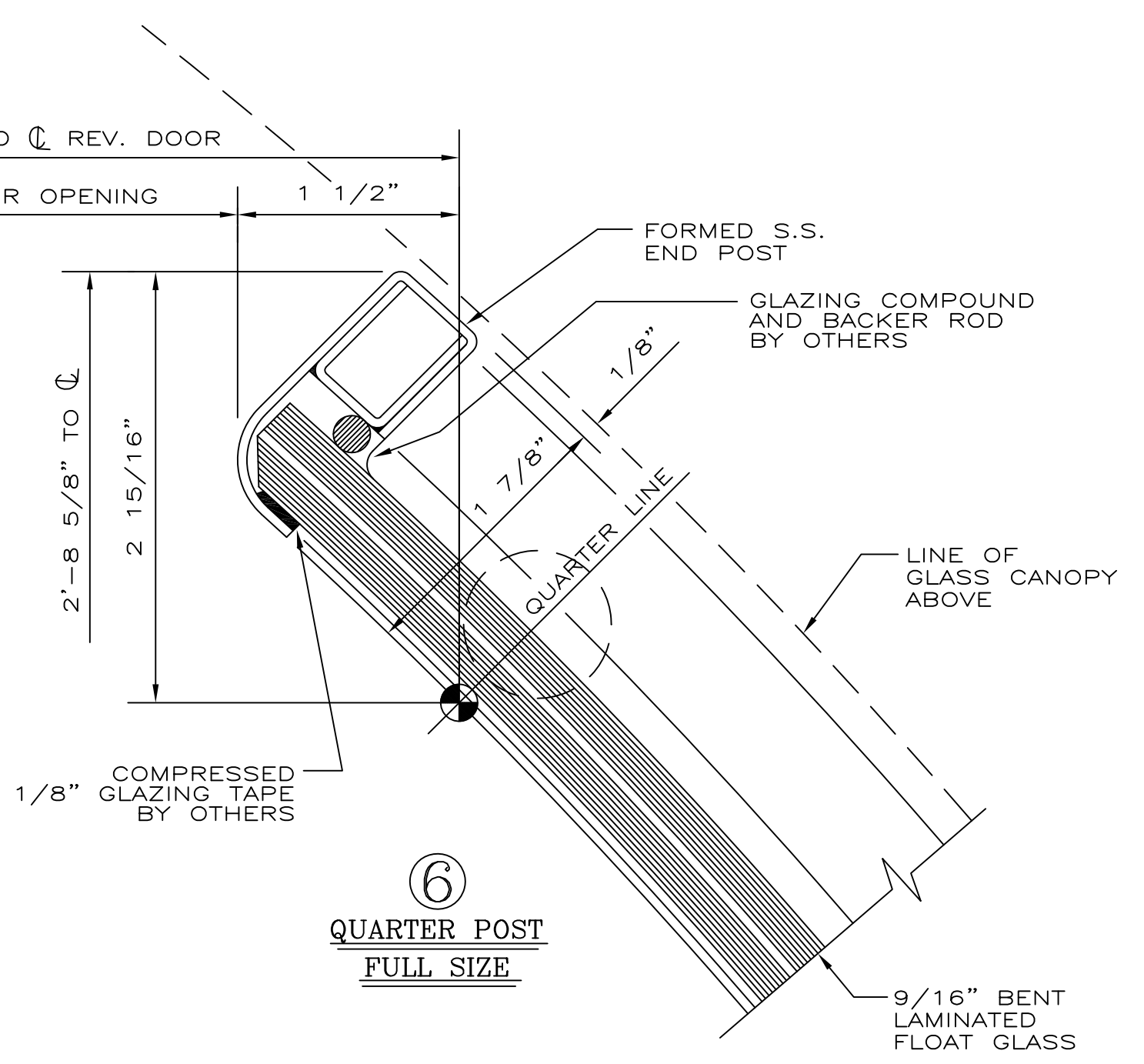
CONTRACTOR TO PROVIDE:
A 25 1/2" X 3 13/16" DEEP CUTOUT TO ACCEPT SPEED CONTROL UNIT AND FLOOR RING.

NOTE: PRIOR TO FABRICATION, SHOP DRAWINGS AND FINISH SAMPLES MUST BE FULLY APPROVED AND RETURNED TO C.D.C.

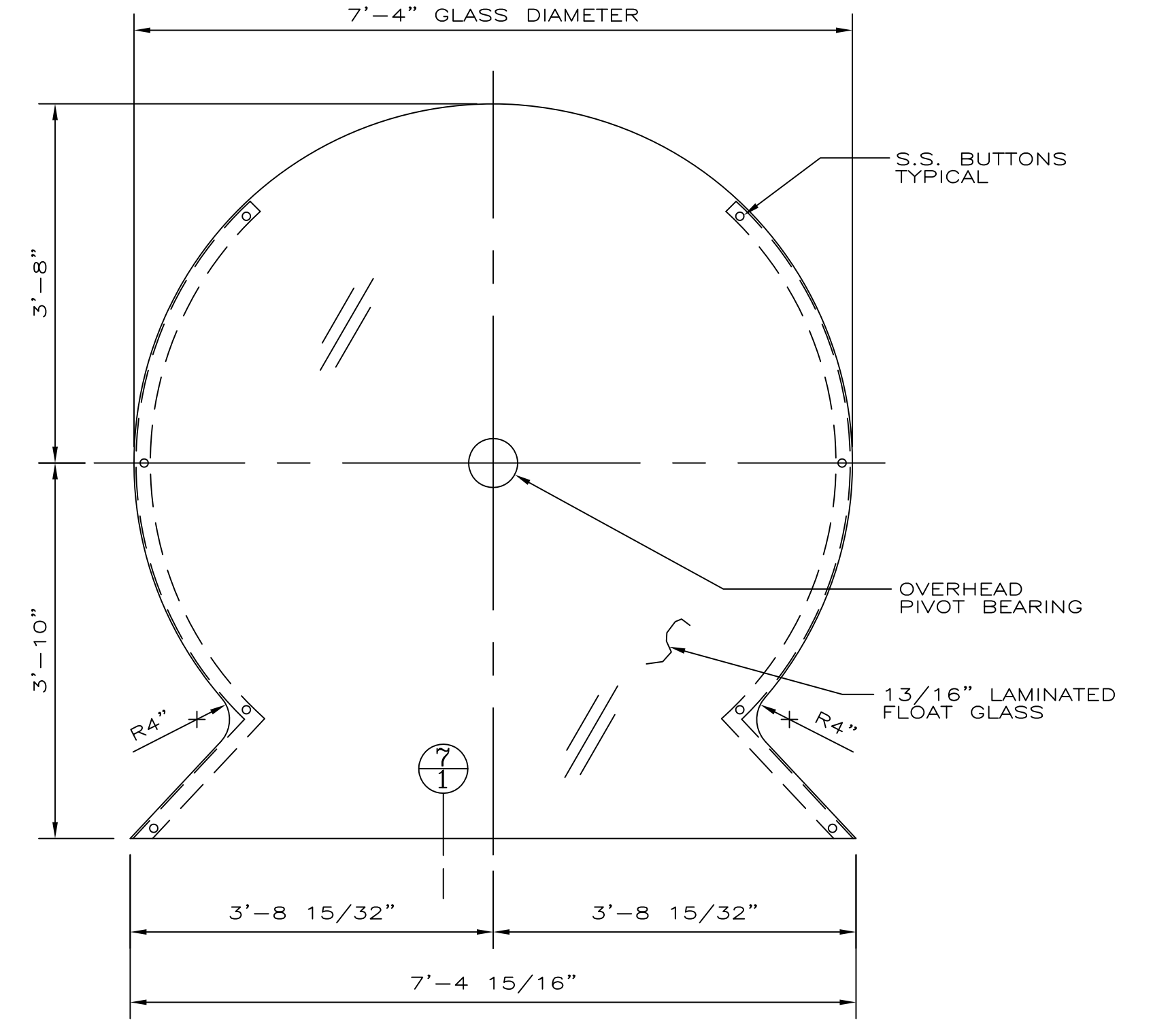
CRANE DORMA REVOLVING DOORS™	
PHONE : 847-295-2700	FAX : 847-295-5288
SCALE : AS SHOWN	JOB NAME : XXX
DRAWN BY : JG	
REVISIONS	
LOCATION :	PLEASE ADVISE
ARCHITECT :	PLEASE ADVISE
CONTRACTOR :	PLEASE ADVISE
SUB. CONTRACTOR :	PLEASE ADVISE
MFG. REPRESENTATIVE :	PLEASE ADVISE
FAB. CHECK :	HOW. CHECK :
CHECKED BY :	NOTES
ORD. NO. :	X
DATE : 2009	SHEET 1 OF 2
	DRAWING NO. : SS 4000 L



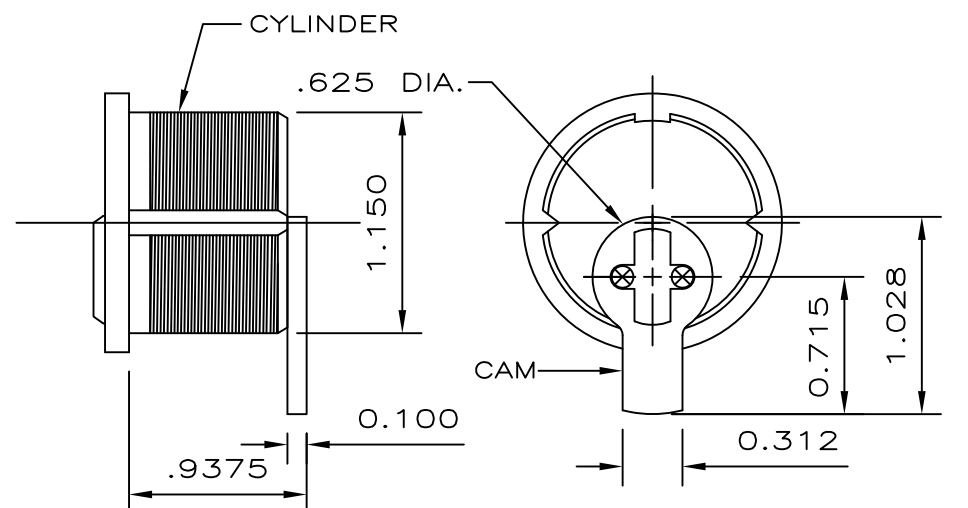
⑤
EXTERIOR EXTENSION
FULL SIZE



⑥
QUARTER POST
FULL SIZE

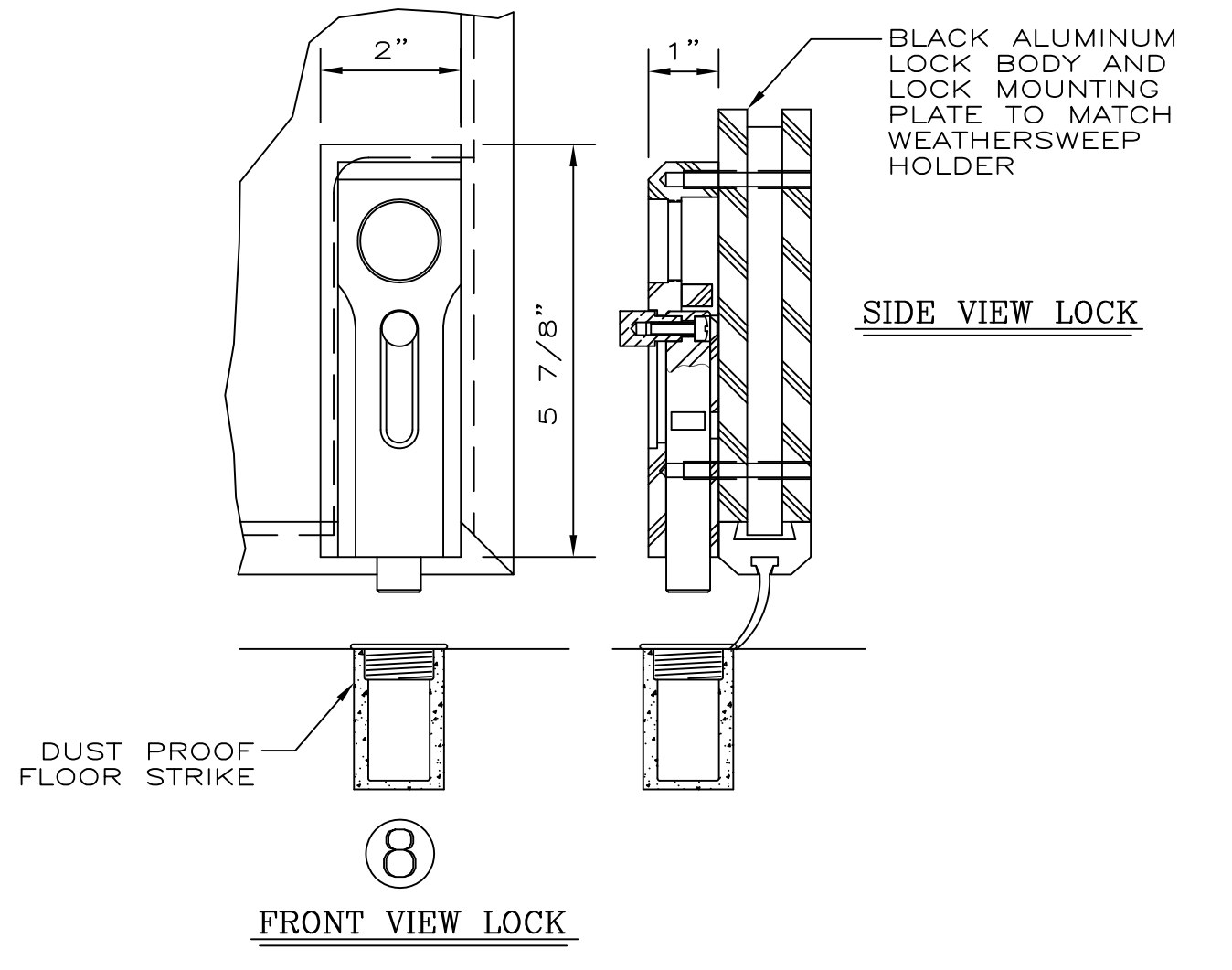


CANOPY PLAN
SCALE: 3/4" = 1'-0"



TYPICAL CYLINDER AND
"STRAIGHT ARM" TYPE CAM REQUIRED
SUPPLIED BY OTHERS
FULL SIZE

NOTE: ADAMS-RITE CAM MAY BE SUBSTITUTED



⑧
FRONT VIEW LOCK

SIDE VIEW LOCK

NOTE: PRIOR TO FABRICATION, SHOP DRAWINGS AND FINISH SAMPLES MUST BE FULLY APPROVED AND RETURNED TO C.D.C.

REVOLVING DOORS™	
PHONE: 847-295-2700	FAX: 847-295-5288
SCALE: AS SHOWN	JOB NAME: XXX
DRAWN BY: JG	
REVISIONS:	
LOCATION:	PLEASE ADVISE
ARCHITECT:	PLEASE ADVISE
CONTRACTOR:	PLEASE ADVISE
SUB. CONTRACTOR:	PLEASE ADVISE
MFG. REPRESENTATIVE:	PLEASE ADVISE
FAB. CHECK:	NOTES
CHECKED BY:	X
ORD. NO.:	
DATE: 2009	SHEET 2 OF 2 DRAWING NO.: SS 4000 L