

GENERAL NOTES

CONTRACTOR SHOULD CHECK & TAKE NOTE OF ALL DIMENSIONS AS C.D.C. (CRANE DOOR CO.) ASSUMES NO RESPONSIBILITY BEYOND MANUFACTURING IN ACCORDANCE WITH THE DIMENSIONS SHOWN ON SHOP DRAWINGS.

APPROVAL INDICATES THAT THIS SHOP DRAWING HAS BEEN CHECKED AND THAT YOU AUTHORIZE US TO FABRICATE MATERIALS AS SHOWN HERE-IN.

REVOLVING DOOR PERIMETER CAULKING (INCLUDING BASE SECTION TO FLOOR) AND CANOPY COVER CAULKING NOT BY C.D.C. ALL HOLES IN FLOOR NOT BY C.D.C.

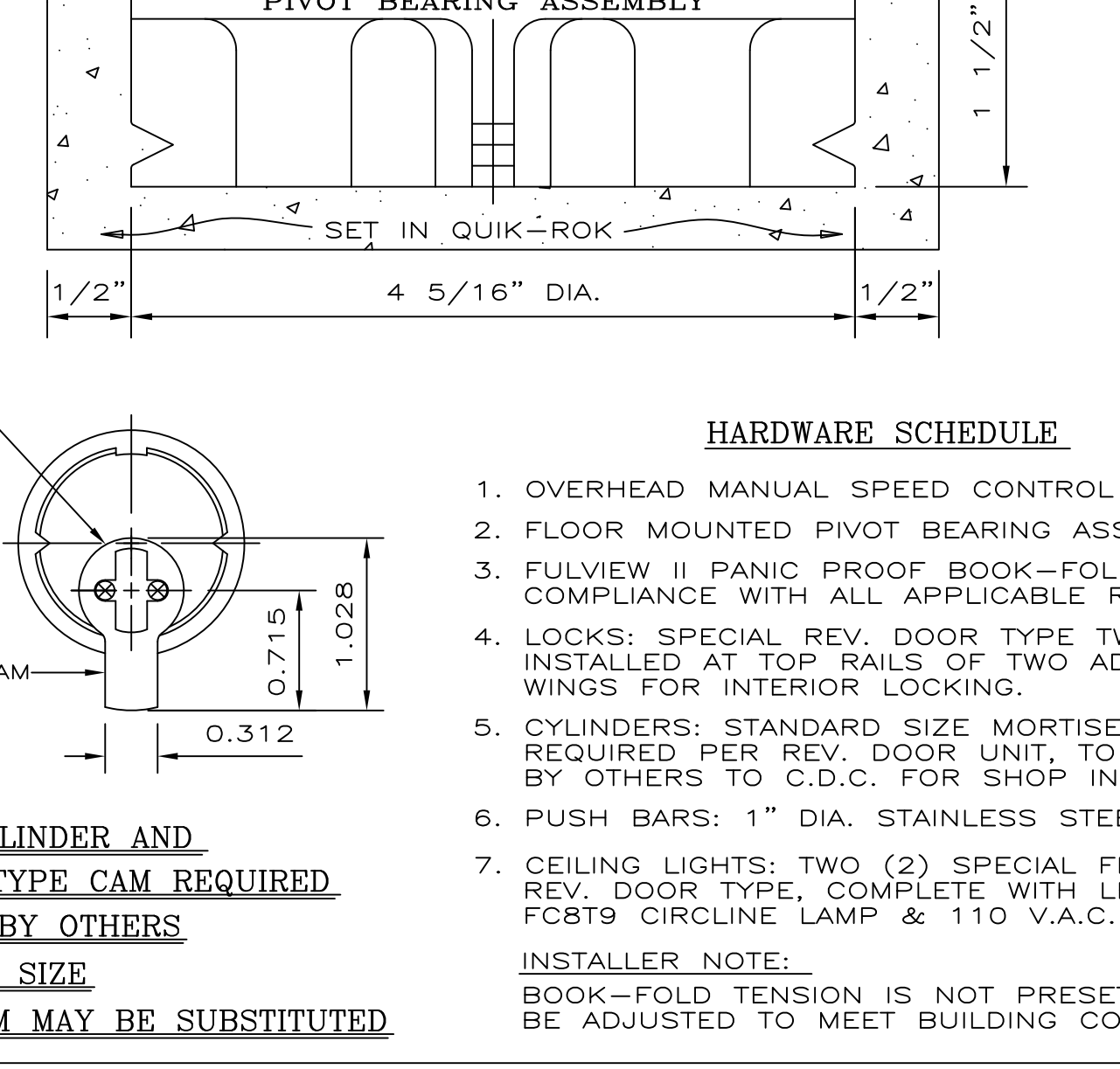
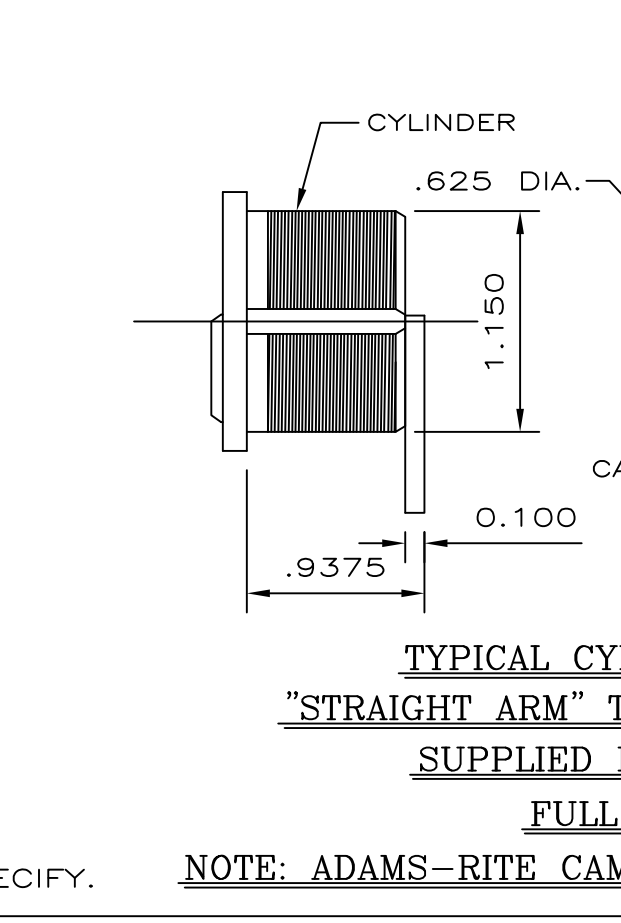
MATERIAL TO BE:
MINIMUM .060 THICKNESS STAINLESS STEEL TYPE 304 (UNLESS OTHERWISE SPECIFIED)

FINISH TO BE:
CRANE STANDARD #4 SATIN

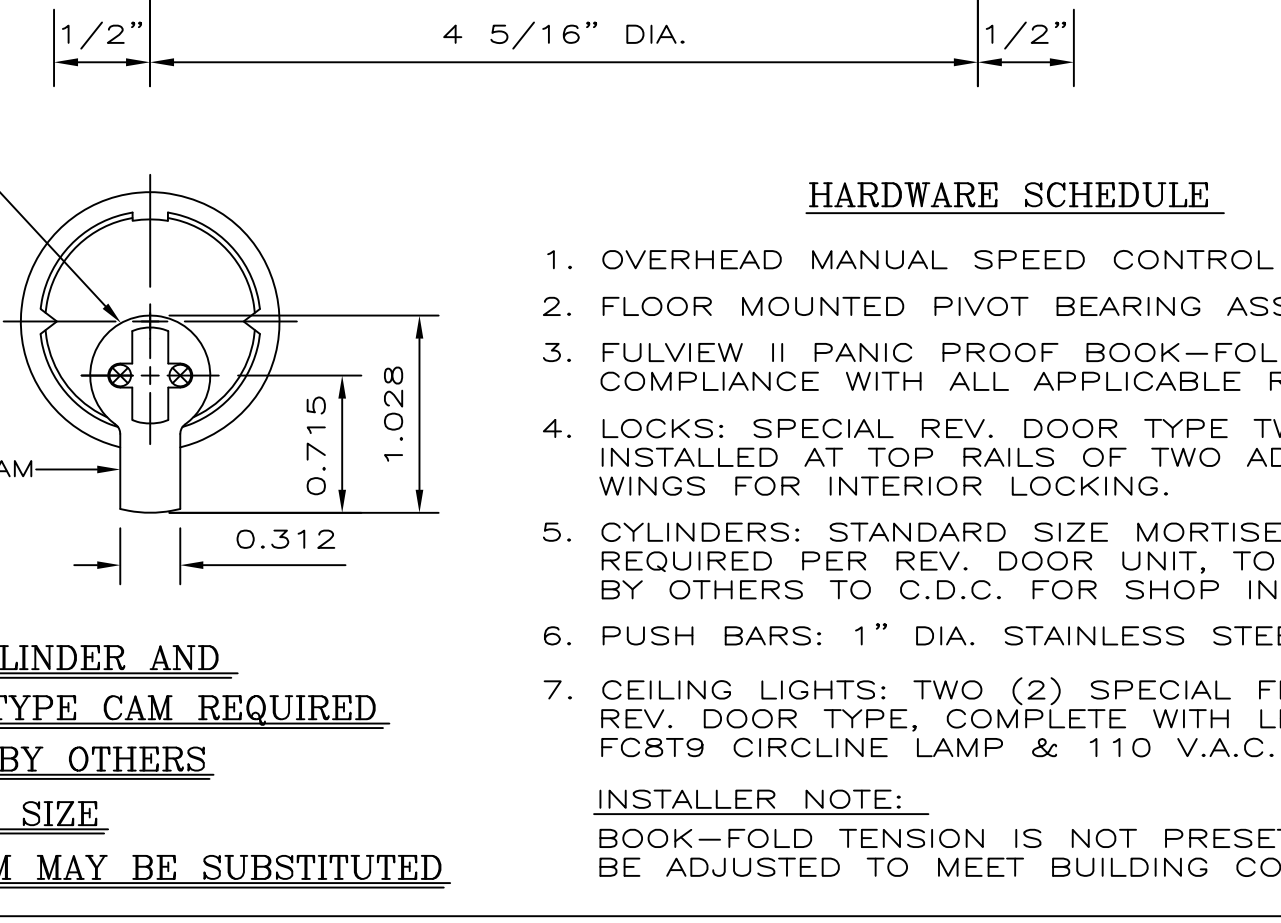
GLASS TO BE: CLEAR
1/4" TEMPERED FLOAT FOR WINGS

GLASS TO MEET ANSI Z97.1 AND 16 CFR 1201. ALL TEMPERED GLASS TO HAVE SAFETY LOGOS. IF ADDITIONAL LOGOS ARE REQUIRED PLEASE SPECIFY.

CONTRACTOR NOTE:
CONTRACTOR TO PROVIDE A 5 5/16" X 2" DEEP CUT OUT TO ACCEPT FLOOR MOUNTED PIVOT BEARING.



CONTRACTOR NOTE:
CONTRACTOR TO PROVIDE A 5 5/16" X 2" DEEP CUT OUT TO ACCEPT FLOOR MOUNTED PIVOT BEARING.



NOTE: PRIOR TO FABRICATION, SHOP DRAWINGS AND FINISH SAMPLES MUST BE FULLY APPROVED AND RETURNED TO C.D.C.

CRANE DORMA
REVOLVING DOORS™

PHONE: 847-295-2700 FAX: 847-295-5288

SCALE: AS SHOWN JOB NAME: XXX

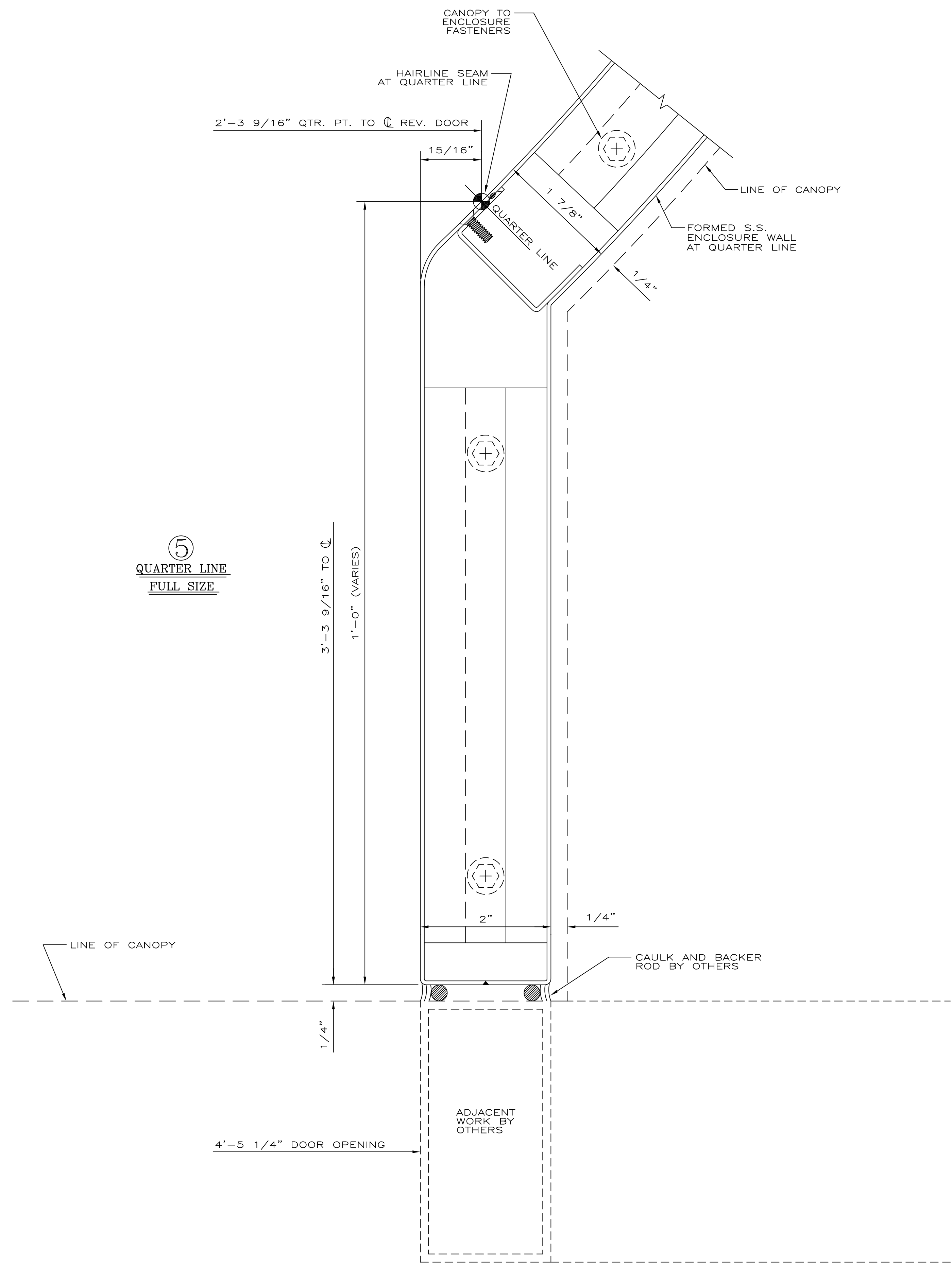
DRAWN BY: JG

REVISIONS	DATE	DESCRIPTION

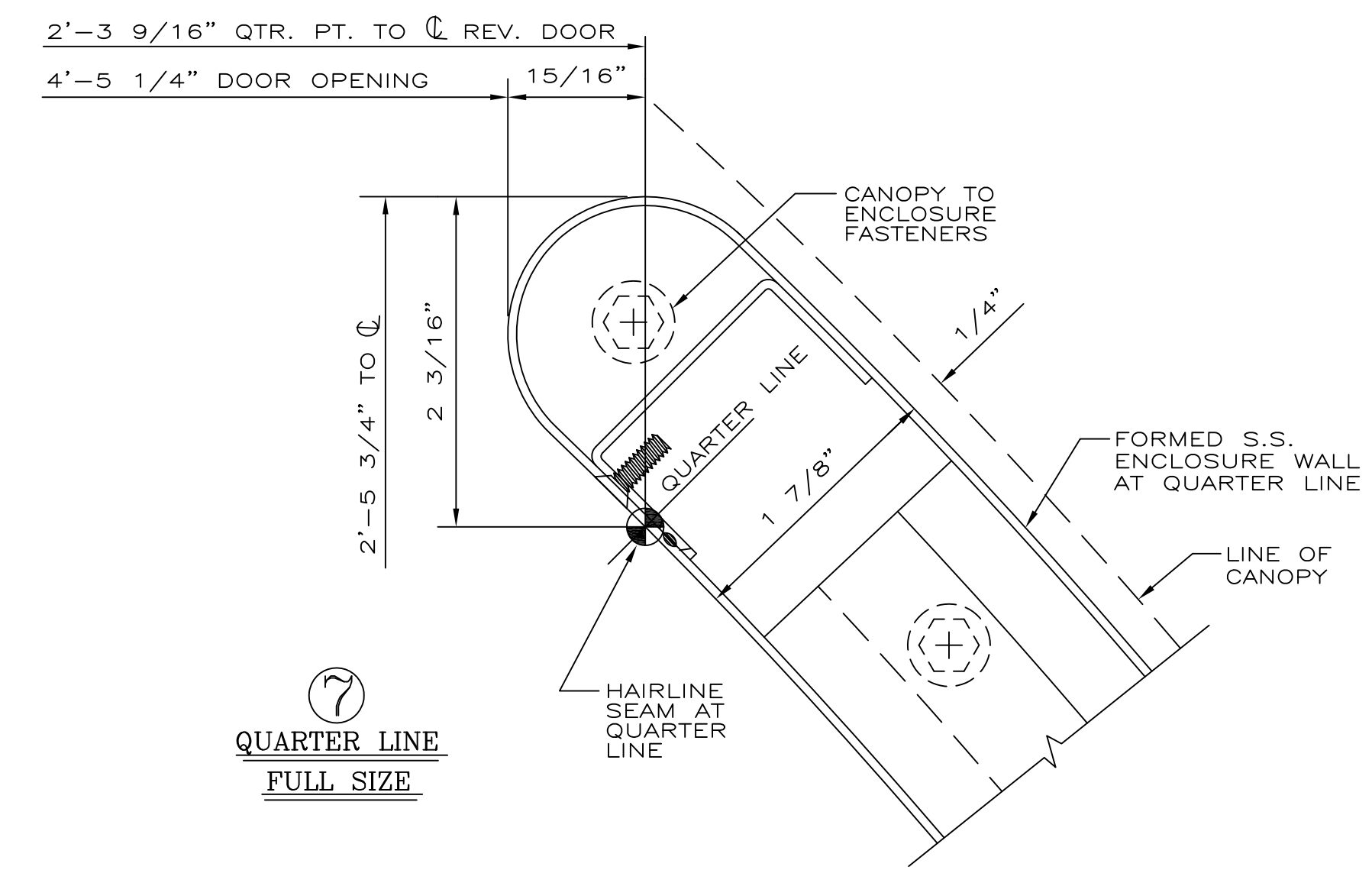
FAB. CHECK: HOW. CHECK: X

CHECKED BY: NOTES: X

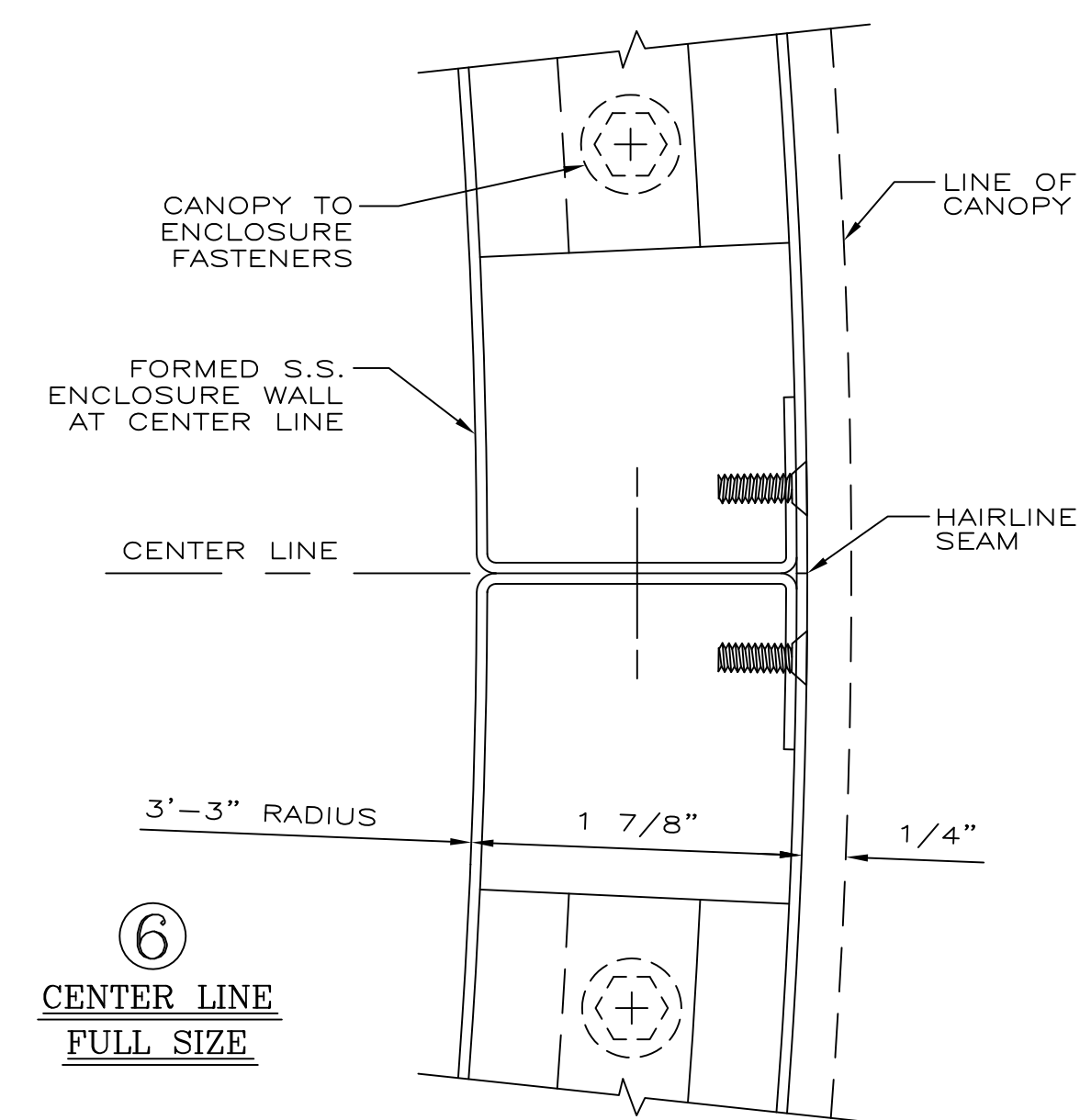
ORD. NO.: DATE: 2009 SHEET 1 OF 2 DRAWING NO.: SS 3000 0



⑤
QUARTER LINE
 FULL SIZE



⑦
QUARTER LINE
 FULL SIZE



⑥
CENTER LINE
 FULL SIZE

NOTE: PRIOR TO FABRICATION, SHOP DRAWINGS AND FINISH SAMPLES MUST BE FULLY APPROVED AND RETURNED TO C.D.C.

CRANE DORMA
 REVOLVING DOORS™

PHONE : 847-295-2700 JOB NAME : FAX : 847-295-5288

SCALE : AS SHOWN DRAWN BY : JG REVISIONS : XXX

LOCATION :	PLEASE ADVISE
ARCHITECT :	PLEASE ADVISE
CONTRACTOR :	PLEASE ADVISE
SUB. CONTRACTOR :	PLEASE ADVISE
MFG. REPRESENTATIVE :	PLEASE ADVISE

FAB. CHECK : HDW. CHECK : X

CHECKED BY : NOTES : X

ORD. NO. : DATE : 2009 SHEET 2 OF 2 DRAWING NO. : SS 3000 0