

INSTALLER NOTE:
CEILING GLASS MUST BE INSTALLED WITH THICKER GLASS LAYER ON BOTTOM.

INSTALLER NOTE:
BEARING HOUSING TO BE SET WITH RUBBER GASKETS AND SHIMMED. FILL AREA WITH SILICONE SEALANT.

CONTRACTOR NOTE:
CONTRACTOR TO PROVIDE A 25 1/2" DIA. X 3 13/16" DEEP CUTOUT TO ACCEPT SPEED CONTROL UNIT AND FLOOR RING.

GENERAL NOTES

CONTRACTOR SHOULD CHECK & TAKE NOTE OF ALL DIMENSIONS AS C.D.C. (CRANE DOOR CO.) ASSUMES NO RESPONSIBILITY BEYOND MANUFACTURING IN ACCORDANCE WITH THE DIMENSIONS SHOWN ON SHOP DRAWINGS.

APPROVAL INDICATES THAT THIS SHOP DRAWING HAS BEEN CHECKED AND THAT YOU AUTHORIZE US TO FABRICATE MATERIALS AS SHOWN HERE-IN.

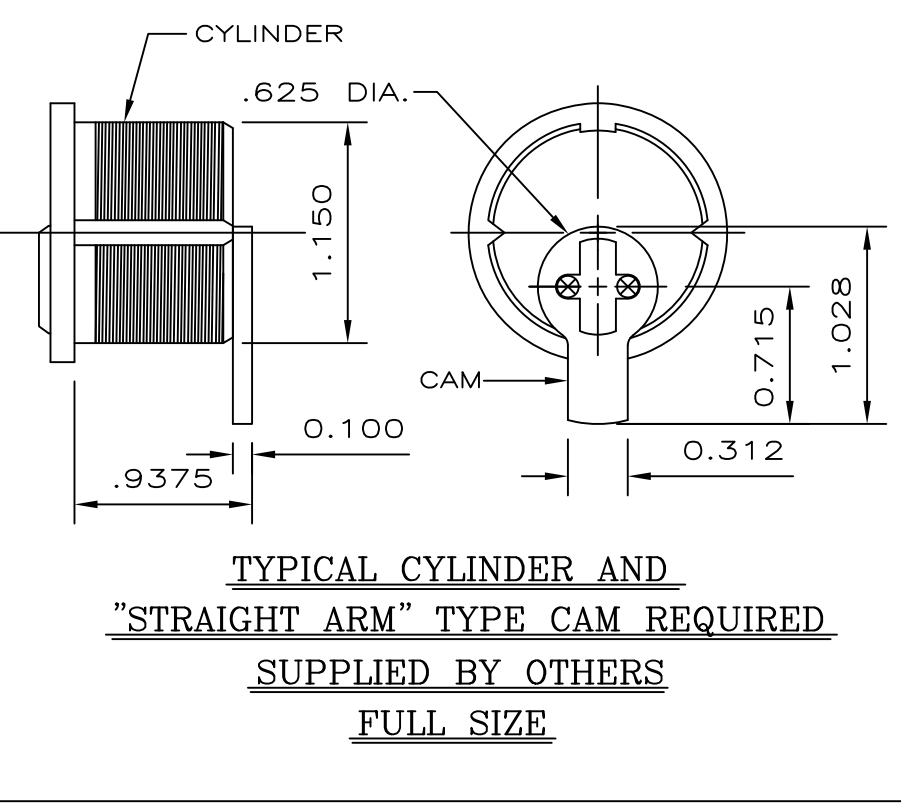
REVOLVING DOOR PERIMETER CAULKING (INCLUDING BASE SECTION TO FLOOR) AND CANOPY COVER CAULKING NOT BY C.D.C. ALL HOLES IN FLOOR NOT BY C.D.C.

MATERIAL TO BE:
.064 MIN. THICKNESS BRONZE SHEET 280 MUNTZ METAL.
.125 MIN. THICKNESS BRONZE EXTRUSION CDA 385 ALLOY. (UNLESS OTHERWISE SPECIFIED)

FINISH TO BE:
SATIN AND LACQUERED

GLASS TO BE: CLEAR
1/2" TEMPERED FLOAT FOR WINGS (FACTORY GLAZED)
9/16" BENT LAMINATED FLOAT FOR ENCLOSURE
11/16" LAMINATED FLOAT FOR CEILING

GLASS TO MEET ANSI Z97.1 AND 16 CFR 1201. ALL TEMPERED GLASS TO HAVE SAFETY LOGOS. IF ADDITIONAL LOGOS ARE REQUIRED PLEASE SPECIFY.



- HARDWARE SCHEDULE**
- FLOOR MOUNTED MANUAL SPEED CONTROL UNIT.
 - OVERHEAD PIVOT BEARING ASSEMBLY.
 - FULVIEW II PANIC PROOF BOOK-FOLD MECHANISM IN COMPLIANCE WITH ALL APPLICABLE REGULATIONS.
 - LOCKS: CONCEALED REV. DOOR TYPE TWO (2) REQUIRED INSTALLED AT BOTTOM RAILS OF TWO ADJACENT WINGS FOR INTERIOR LOCKING.
 - CYLINDERS: STANDARD SIZE MORTISE TYPE, TWO (2) REQUIRED PER REV. DOOR UNIT, TO BE SUPPLIED BY OTHERS TO C.D.C. FOR SHOP INSTALLATION.
 - PUSH BARS: 1" DIA. BRONZE, FINISH TO MATCH DOOR.
- INSTALLER NOTE:**
BOOK-FOLD TENSION IS NOT PRESET; IT MUST BE ADJUSTED TO MEET BUILDING CONDITIONS.

NOTE: PRIOR TO FABRICATION, SHOP DRAWINGS AND FINISH SAMPLES MUST BE FULLY APPROVED AND RETURNED TO C.D.C.

CRANE DORMA	
REVOLVING DOORS™	
PHONE : 847-295-2700	FAX : 847-295-5288
SCALE : AS SHOWN	JOB NAME : XXX
DRAWN BY : JG	REVISIONS :
	LOCATION : PLEASE ADVISE
	ARCHITECT : PLEASE ADVISE
	CONTRACTOR : PLEASE ADVISE
	SUB. CONTRACTOR : PLEASE ADVISE
	MFG. REPRESENTATIVE : PLEASE ADVISE
FAB. CHECK :	HOW. CHECK :
CHECKED BY :	NOTES : X
ORD. NO. :	
DATE : 2009	SHEET 1 OF 1 DRAWING NO. : BZ 3000 I