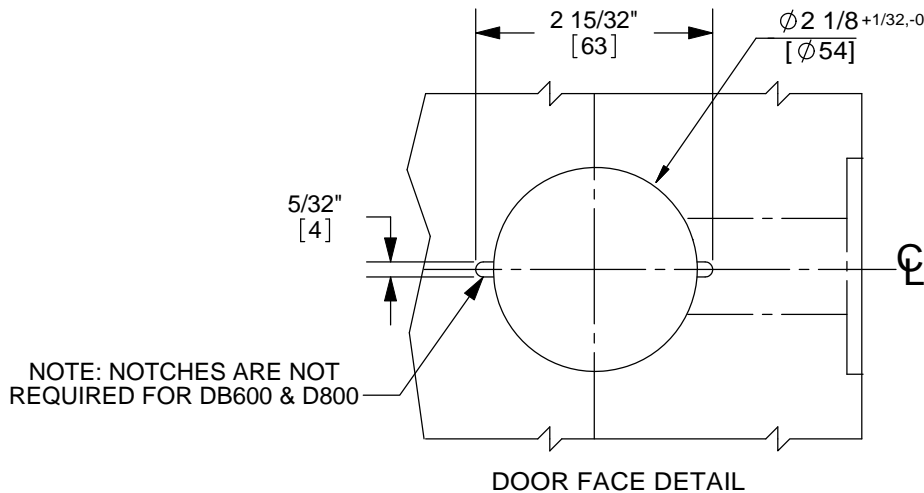
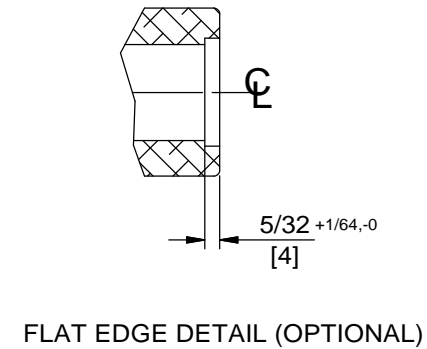
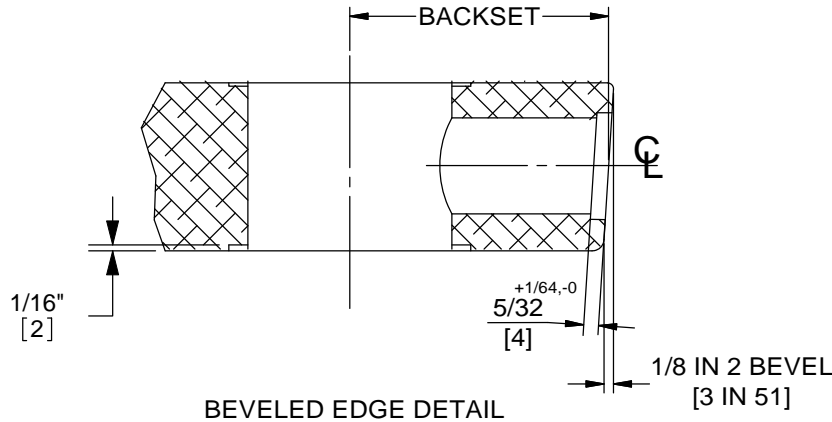
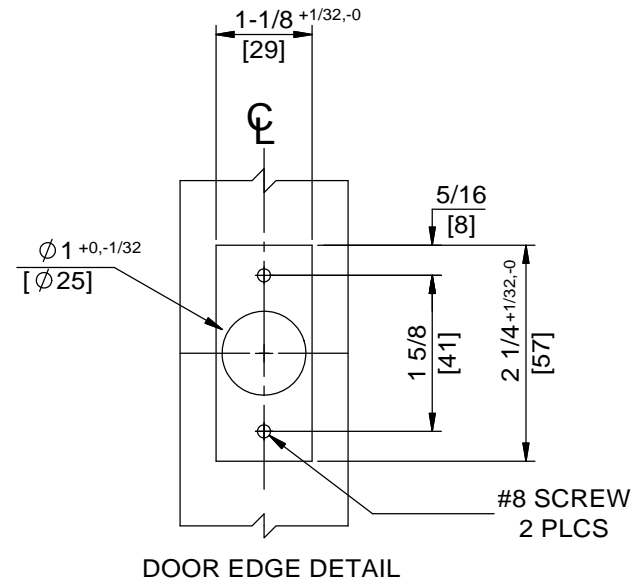


NOTES:

1. DIMENSIONS ARE IN INCHES/ [MM]
2. DO NOT SCALE DRAWING.



NOTE: NOTCHES ARE NOT REQUIRED FOR DB600 & D800



Wood Doors For:
 C400, DB600, D800, CL600, CK600, CK700, CK800 Series
 Face Plate 1-1/8" Flat or Beveled



DORMA Architectural Hardware
 Reamstown, PA 17567