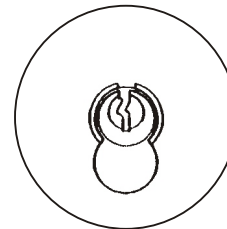


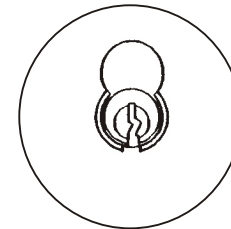
# CK700 CYLINDRICAL KNOB SET INTERCHANGABLE CORE (IC) INSTRUCTIONS FOR CHANGING HAND



The keyed knob of this lock is reversible for right hand or left hand doors. If necessary, to change the hand of the lock so that keyway will be right side up, follow these instructions:



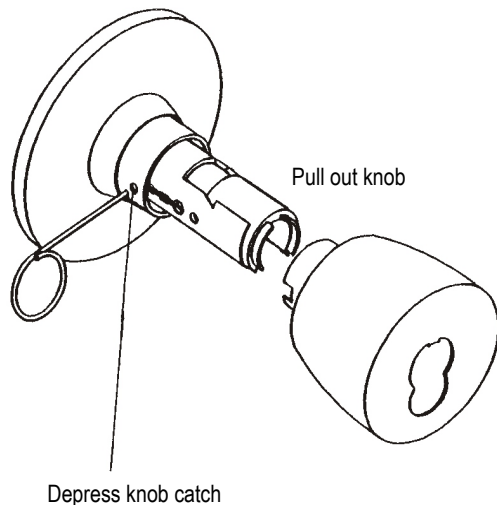
INCORRECT



CORRECT

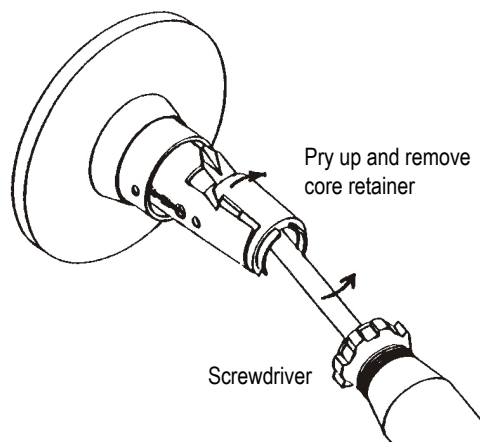
## 1. REMOVE KNOB

With interchangeable core removed, depress knob keeper and pull out knob from sleeve.



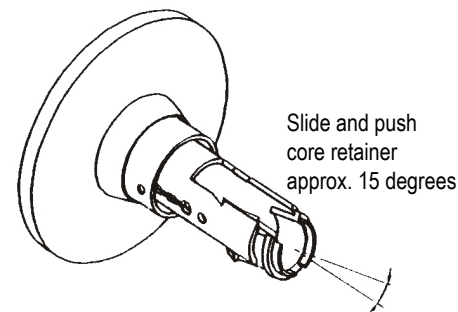
## 2. REMOVE CORE RETAINER

Insert a screw driver of a stick into the hole as shown, pry up and remove core retainer from sleeve.



## 3. REVERSE AND REPLACE CORE RETAINER

Reverse retainer in opposite direction; hold retainer at approx. 15 degrees, slide and push retainer into position. (Note: If the seating for retainer is difficult, exert force or tap lightly on outer face of retainer if needed.)



## 4. REPLACE KNOB

With "figure 8" (IC) hole of knob in up position, align the lug with the notch in core retainer, depress knob keeper and push knob onto sleeve until knob keeper engages with keeper hole in shank.

