

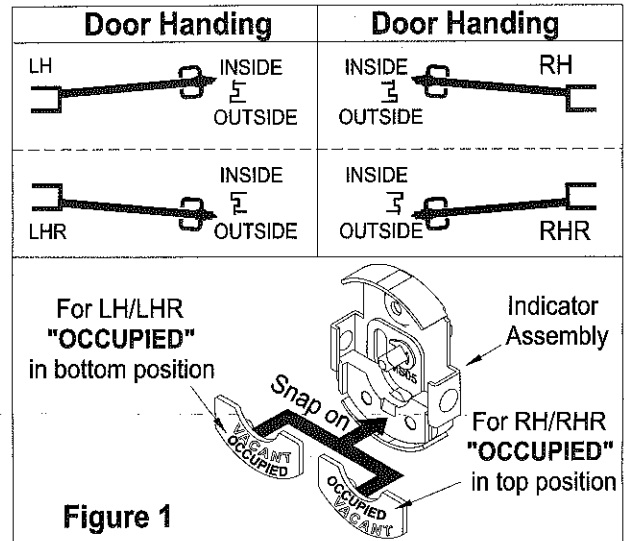
PRIVACY INDICATOR W/COIN TURN INSTALLATION INSTRUCTIONS



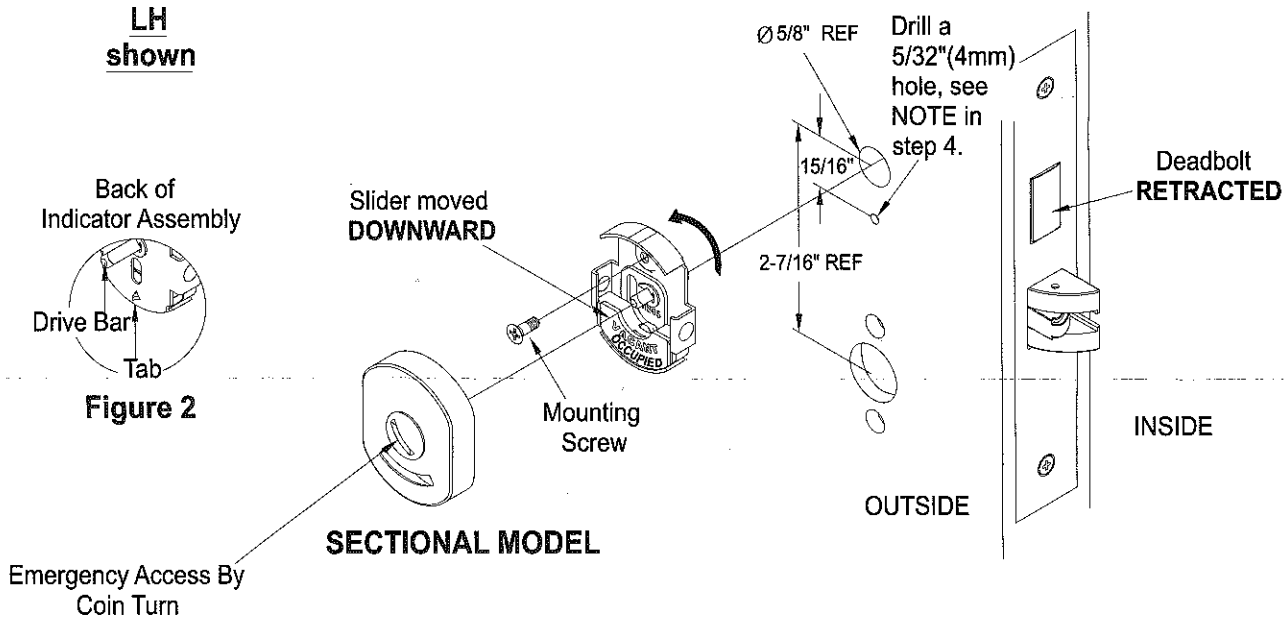
IMPORTANT NOTICE:

Each lock package includes two different indicator plates for different handing of door.
In order to display indicator properly, follow steps as below.

1. Choose correct indicator plate as per door handing.
Snap indicator plate on indicator assembly. (See Figure 1)
2. For **LH/LHR**, rotate drive bar to move slider **DOWNWARD**.
For **RH/RHR**, rotate drive bar to move slider **UPWARD**.
3. Check to make sure the lock case is in **UNLOCKED** position.
4. **NOTE:** Drill a 5/32" (4mm) hole on indicator side of door to accommodate the alignment tab when used on metal, laminate or hard wood doors. Indicator **MUST** lay flat on door. (See Figure 2). With indicator assembly in position, fasten with mounting screw.
5. Indicator is designed for doors 1-3/4"~2-1/8" thick.
Consult factory for thicker doors.



LH shown



RH shown

