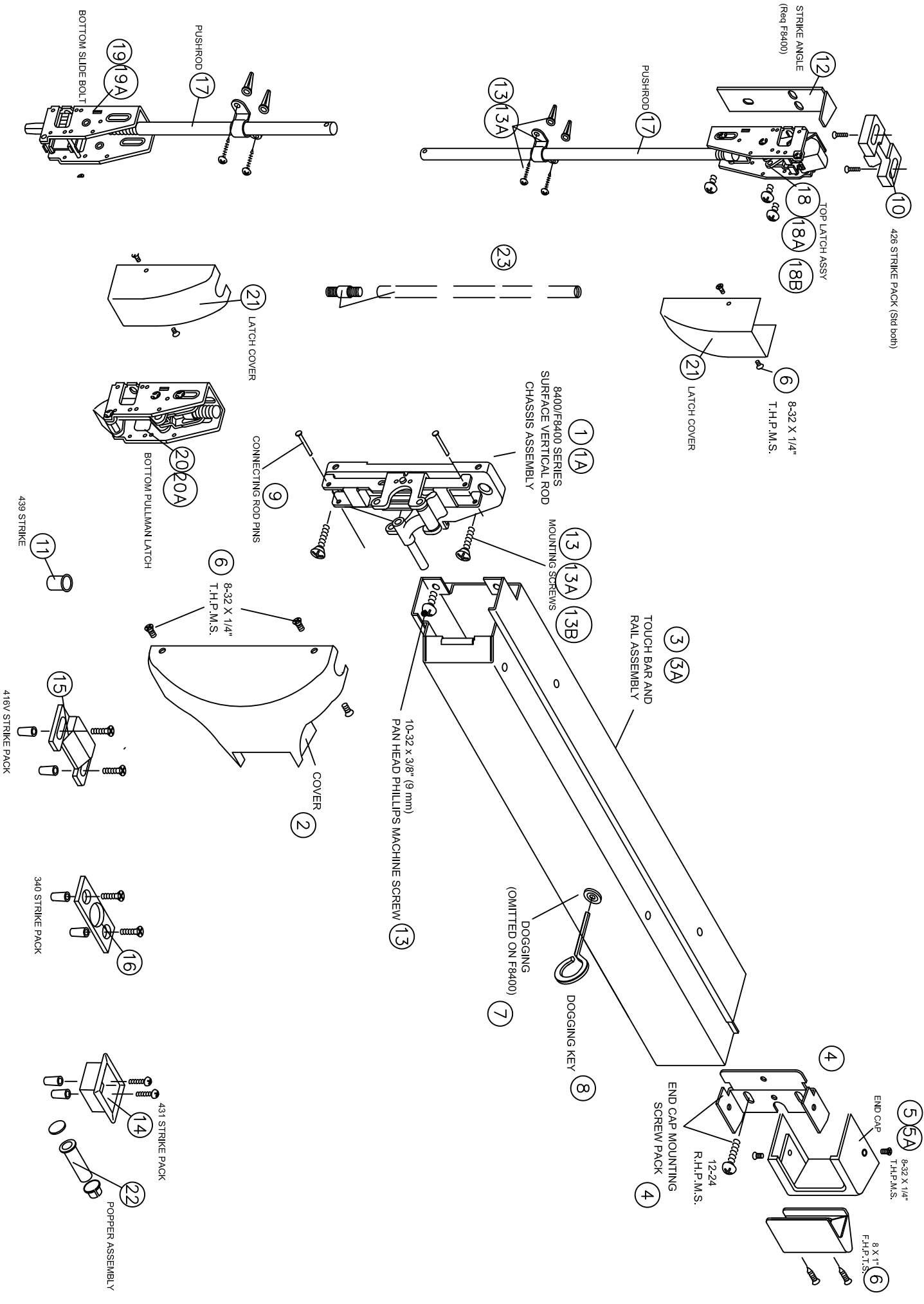


PARTS LIST 8400/F8400 SERIES SURFACE VERTICAL ROD EXIT DEVICE



8400/F8400 SERVICE PARTS LIST

ITEM #	PART #	DESCRIPTION
1	95056075	CHASSIS ASSEMBLY 8400 SVR EXIT DEVICE
1A	95052636	84CRKT - KIT REPAIR 8400 CHASSIS
2	95055863	CHCOV84 - CHASSIS COVER 8400
3	18002120	8000 SERIES TOUCHBAR 689 SIZE A
3	18002121	8000 SERIES TOUCHBAR 695 SIZE A
3	18002122	8000 SERIES TOUCHBAR 696 SIZE A
3	18002123	8000 SERIES TOUCHBAR 691 SIZE A
3	TBR8 A 693	8000 SERIES TOUCHBAR 693 SIZE A
3	18002124	8000 SERIES TOUCHBAR 630 / 689 SIZE A
3	18002125	8000 SERIES TOUCHBAR 689 SIZE B
3	18002126	8000 SERIES TOUCHBAR 695 SIZE B
3	18002127	8000 SERIES TOUCHBAR 696 SIZE B
3	18002128	8000 SERIES TOUCHBAR 691 SIZE B
3	TBR8 B 693	8000 SERIES TOUCHBAR 693 SIZE B
3	18002129	8000 SERIES TOUCHBAR 630 / 689 SIZE B
3	18002130	8000 SERIES TOUCHBAR 689 SIZE C
3	18002131	8000 SERIES TOUCHBAR 695 SIZE C
3	TBR8 C 696	8000 SERIES TOUCHBAR 696 SIZE C
3	TBR8 C 691	8000 SERIES TOUCHBAR 691 SIZE C
3	TBR8 C 693	8000 SERIES TOUCHBAR 693 SIZE C
3	TBR8 C 630 / 689	8000 SERIES TOUCHBAR 630 / 689 SIZE C
3A	18002150	F8000 SERIES TOUCHBAR 689 SIZE A FIRE RATED
3A	FTBR8 A 695	F8000 SERIES TOUCHBAR 695 SIZE A FIRE RATED
3A	FTBR8 A 696	F8000 SERIES TOUCHBAR 696 SIZE A FIRE RATED
3A	FTBR8 A 691	F8000 SERIES TOUCHBAR 691 SIZE A FIRE RATED
3A	FTBR8 A 693	F8000 SERIES TOUCHBAR 693 SIZE A FIRE RATED
3A	FTBR8 A 630 / 689	F8000 SERIES TOUCHBAR 630 / 689 SIZE A FIRE RATED
3A	FTBR8 B 689	F8000 SERIES TOUCHBAR 689 SIZE B FIRE RATED
3A	FTBR8 B 695	F8000 SERIES TOUCHBAR 695 SIZE B FIRE RATED
3A	18002157	F8000 SERIES TOUCHBAR 696 SIZE B FIRE RATED
3A	FTBR8 B 691	F8000 SERIES TOUCHBAR 691 SIZE B FIRE RATED
3A	FTBR8 B 693	F8000 SERIES TOUCHBAR 693 SIZE B FIRE RATED
3A	FTBR8 B 630 / 689	F8000 SERIES TOUCHBAR 630 / 689 SIZE B FIRE RATED
3A	95071221	F8000 SERIES TOUCHBAR 689 SIZE C FIRE RATED
3A	FTBR8 C 695	F8000 SERIES TOUCHBAR 695 SIZE C FIRE RATED
3A	FTBR8 C 696	F8000 SERIES TOUCHBAR 696 SIZE C FIRE RATED
3A	FTBR8 C 691	F8000 SERIES TOUCHBAR 691 SIZE C FIRE RATED
3A	FTBR8 C 693	F8000 SERIES TOUCHBAR 693 SIZE C FIRE RATED
3A	FTBR8 C 630 / 689	F8000 SERIES TOUCHBAR 630 / 689 SIZE C FIRE RATED
4	95059519	A - ENDCAP MOUNTING BRACKET WITH SCREWS
5	95059525	EC84 - 8400 END CAP (2 Piece with Mount Screws)
5A	95071106	FIRE RATED END CAP

8400/F8400 SERVICE PARTS LIST

ITEM #	PART #	DESCRIPTION
6	95059852	8T - MACHINE SCREW 8/23 x 1/4 TRUSS HEAD MS (50 PACK)
7	95002639	8DRKIT - 8000 SERIES DOGGING REPAIR KIT
8	95002638	DOGGING KEY (10 PACK)
9	95059527	S - ROD PINS PACKAGE OF 2
10	426	426 STRIKE PACK
11	439	439 STRIKE PACK
12	18002206	F - STRIKE ANGLE PACK
13	95059602	V - 8400 CHASSIS MOUNTIN SCREW PACK
13A	95060944	W - F8400 CHASSIS MOUNTIN SCREW PACK
13B	95009070	SEX NUT & BOLTS (2 per pack) (5 pack required for 8400 & F8400 EO)
14	431	431 STRIKE PACK
15	416V	416V STRIKE PACK
16	340	340 STRIKE PACK
17	95055895	UPPER SURFACE VERTICAL ROD 7FT DOOR 689
17	18003140	UPPER SURFACE VERTICAL ROD 7FT DOOR 695
17	95059258	UPPER SURFACE VERTICAL ROD 7FT DOOR 696
17	18003139	UPPER SURFACE VERTICAL ROD 7FT DOOR 691
17	18003137	UPPER SURFACE VERTICAL ROD 7FT DOOR 693
17	18003100	UPPER SURFACE VERTICAL ROD 8FT DOOR 689
17	18003102	UPPER SURFACE VERTICAL ROD 8FT DOOR 695
17	18003103	UPPER SURFACE VERTICAL ROD 8FT DOOR 696
17	18003101	UPPER SURFACE VERTICAL ROD 8FT DOOR 691
17	18003138	UPPER SURFACE VERTICAL ROD 8FT DOOR 693
17A	95056131	LOWER SURFACE VERTICAL ROD 689
17A	95065709	LOWER SURFACE VERTICAL ROD 695
17A	95057693	LOWER SURFACE VERTICAL ROD 696
17A	95065708	LOWER SURFACE VERTICAL ROD 691
17A	95065717	LOWER SURFACE VERTICAL ROD 693
23	18002214	TOP ROD EXTENDER (taking 7' to 9' and 8' to 10') 689
23	18002213	TOP ROD EXTENDER (taking 7' to 9' and 8' to 10') 695
23	18002215	TOP ROD EXTENDER (taking 7' to 9' and 8' to 10') 696
23	18002212	TOP ROD EXTENDER (taking 7' to 9' and 8' to 10') 691
23	95071318	TOP ROD EXTENDER (taking 7' to 9' and 8' to 10') 693
18	95065661	SVTOPLTCH - TOP LATCH ASSY
18A	95056228	FSVTOPLTCH - TOP LATCH ASSY FOR FIRE RATED DOOR
18B	95059549	TOP LATCH ASSY FOR USE WITH ELECTRIC STRIKE
19	95056293	BOTTOM SLIDE BOLT ASSEMBLY

8400/F8400 SERVICE PARTS LIST

ITEM #	PART #	DESCRIPTION
19A	95065659	BOTTOM SLIDE BOLT ASSEMBLY FOR FIRE RATED DOOR
20	95063646	BOTTOM PULLMAN LATCH ASSY
20A	95065658	BOTTOM PULLMAN LATCH ASSY FOR FIRE RATED DOOR
21	95059555	LATCH COVER (Includes Mounting Screws)
22	95008528	POPPER ASSY