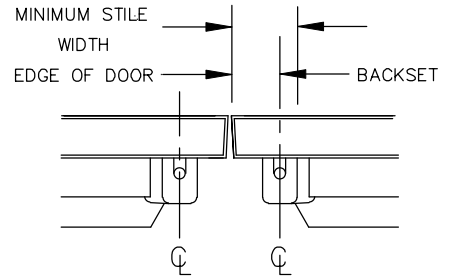
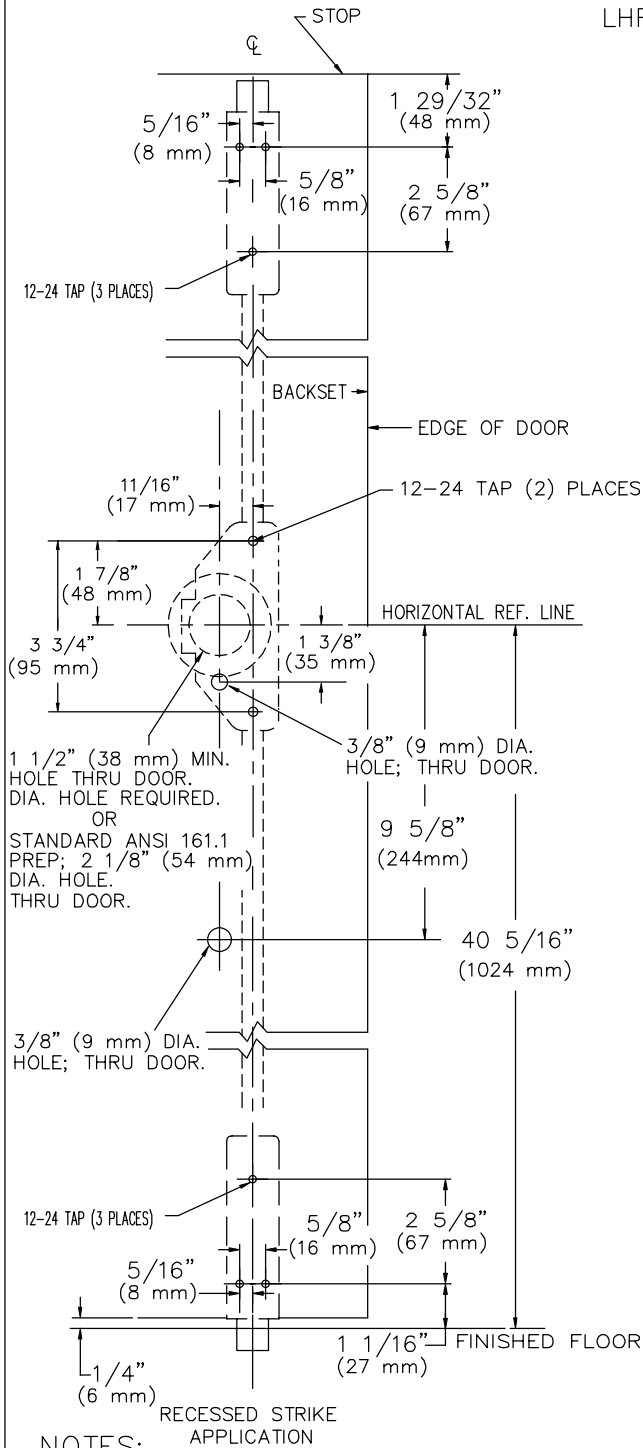


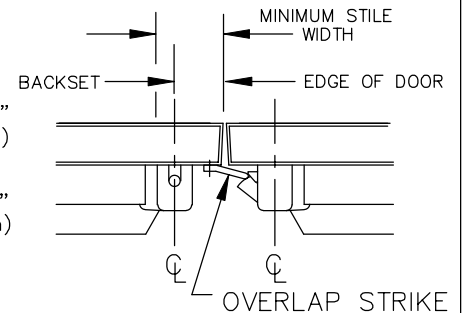
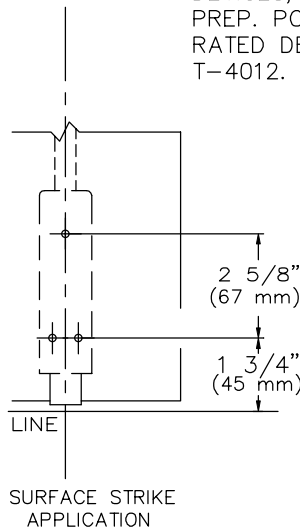
RHR SHOWN
LHR OPPOSITE



	BACKSET	MIN. STILE WIDTH
		TRIMS LISTED BELOW
MINIMUM	1 7/8" (48 mm)	4 1/16" (103 mm)
STANDARD	2 1/16" (52 mm)	4 1/4" (108 mm)

1 1/2" (38 mm) MIN. HOLE THRU DOOR. DIA. HOLE REQUIRED.
OR
STANDARD ANSI 161.1 PREP; 2 1/8" (54 mm) DIA. HOLE THRU DOOR.

FOR LESS BOTTOM ROD (LBR) DEVICES, DELETE BOTTOM LATCH PREP. POPPER REQUIRED ON FIRE RATED DEVICE, SEE TEMPLATE T-4012.



BACKSET	MIN. STILE WIDTH
	TRIMS LISTED BELOW
1 5/8" (41 mm)	3 13/16" (97 mm)

NOTES:

1. SEE MASTER SHEET #T-0001 FOR SUGGESTED DOOR REINFORCEMENT.
2. SEE ADDITIONAL TRIM TEMPLATE WHEN REQUIRED.
3. FOR LBR (LESS BOTTOM ROD) DEVICE, DELETE BOTTOM LATCH PREP.

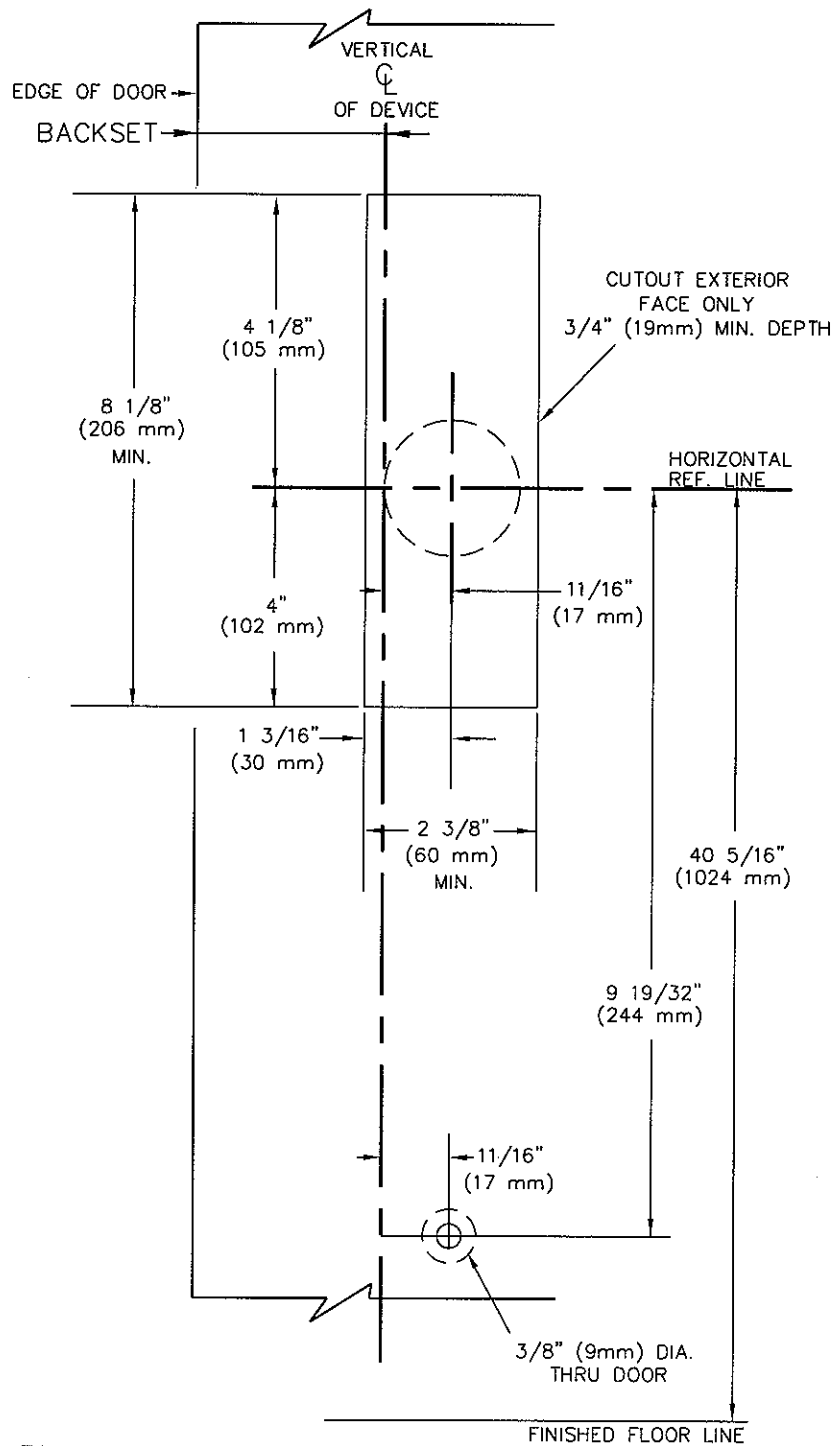
REV. No. 1 REVISION: Dimension Correction DATE: 8-14-03



8400 & F8400 x HTS22, HRS22
8400 & F8400 x HTS05/06, HRS05/06
VERTICAL ROD TYPE EXIT DEVICE

TEMPLATE NUMBER
T-10501①


RHR SHOWN
LHR OPPOSITE



NOT TO SCALE

NOTES:

1. SEE MASTER SHEET #T-0001 FOR SUGGESTED DOOR REINFORCEMENT.

REV. No. 2	REVISION: MODIFY DIMENSION	DATE: 5-9-07
	<p>8300 & F8300 x HTS22, HRS22, HTS05/06, HRS05/06 RIM TYPE EXIT DEVICE</p>	<p>TEMPLATE NUMBER T-2069②</p>