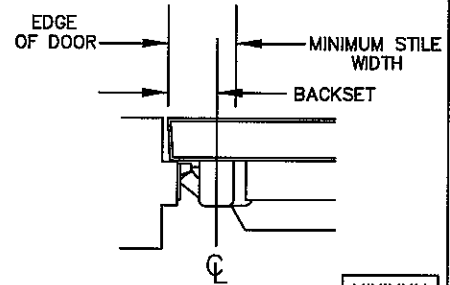
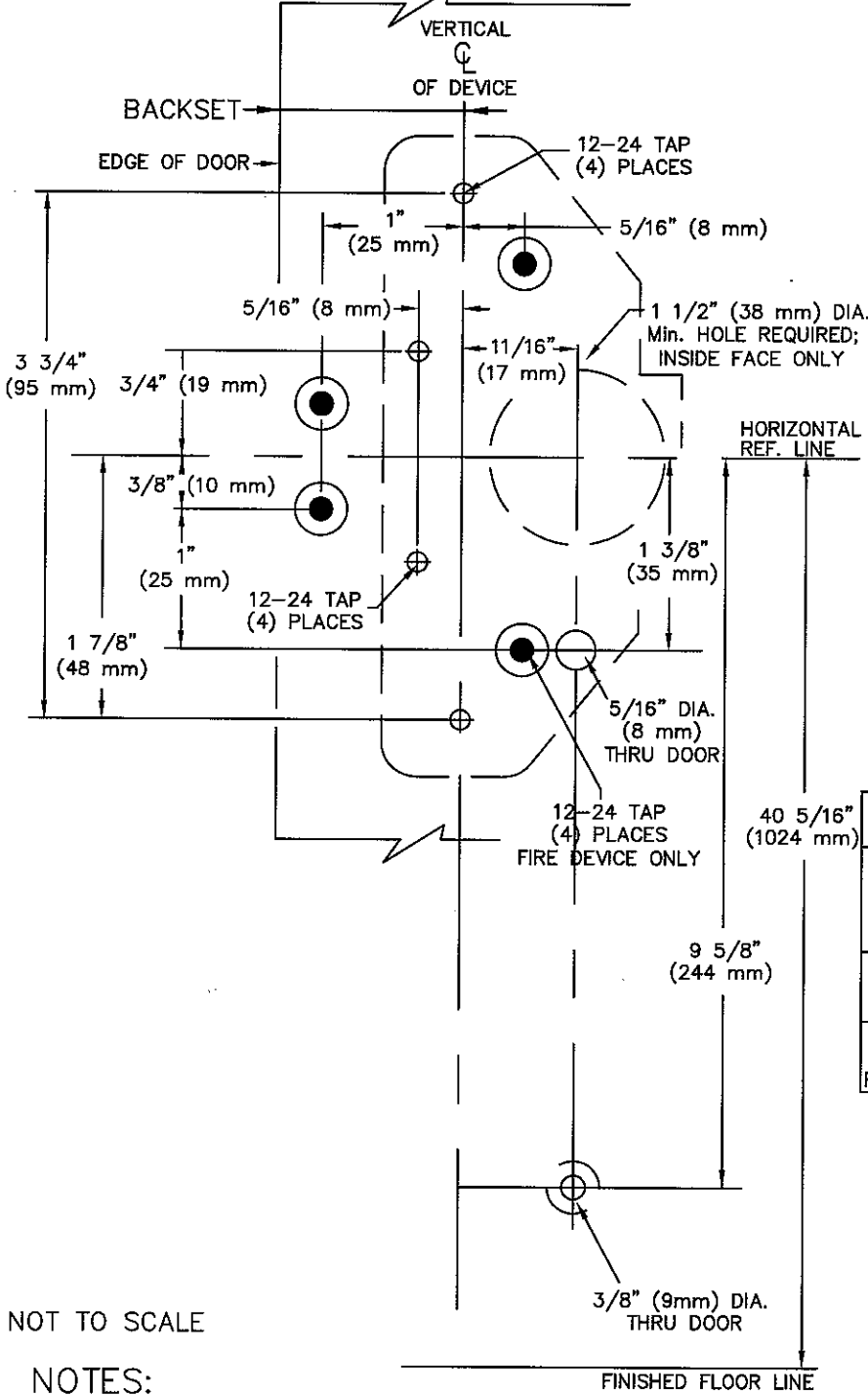
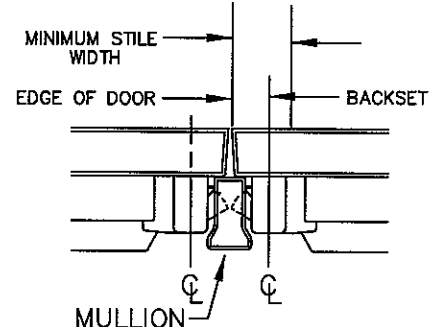


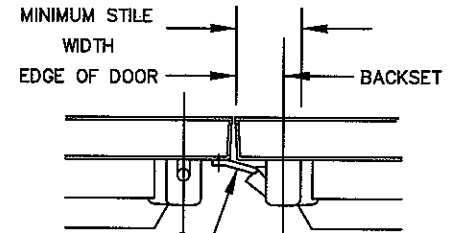
LHR SHOWN  
RHR OPPOSITE



	MINIMUM STILE		
STOP	STRIKE	BACKSET	LISTED TRIMS
5/8" (16 mm) STOP	443	1 3/8" (35 mm)	3 9/16" (85 mm)
	416, 476	1 7/8" (48 mm)	4 1/16" (103 mm)
	486, 463	2 1/16" (52 mm)	4 1/4" (108 mm)



	MINIMUM STILE			
MULLION	STRIKE	BACKSET	8PDT 8P03	80DT 8L08
1310	443	1 3/8" (35 mm)	3 1/4" (83 mm)	3 13/16" (97 mm)
	416, 476	1 15/16" (49 mm)	3 13/16" (97 mm)	4 3/8" (111 mm)
	486, 463	2 1/8" (54 mm)	4" (102 mm)	4 9/16" (116 mm)
1330	416, 476	2 1/16" (53 mm)	3 15/16" (100 mm)	4 1/2" (114 mm)
	486, 463	2 1/4" (57 mm)	4 1/8" (105 mm)	4 11/16" (119 mm)
F1300	416, 476	2 5/16" (59 mm)	4 3/16" (106 mm)	4 3/4" (121 mm)
1340KR F1340KR	486, 463	2 1/2" (64 mm)	4 3/8" (111 mm)	4 15/16" (125 mm)



	MINIMUM STILE		
OVERLAP STRIKE	STRIKE	BACKSET	8TDT TRIM
	319/320	1 5/8" (41 mm)	3 13/16" (97 mm)

NOT TO SCALE

NOTES:

1. SEE MASTER SHEET #T-0001 FOR SUGGESTED DOOR REINFORCEMENT.
2. SEE ADDITIONAL TRIM TEMPLATE WHEN REQUIRED.

REV. No. 2

REVISION: ADD 1340KR

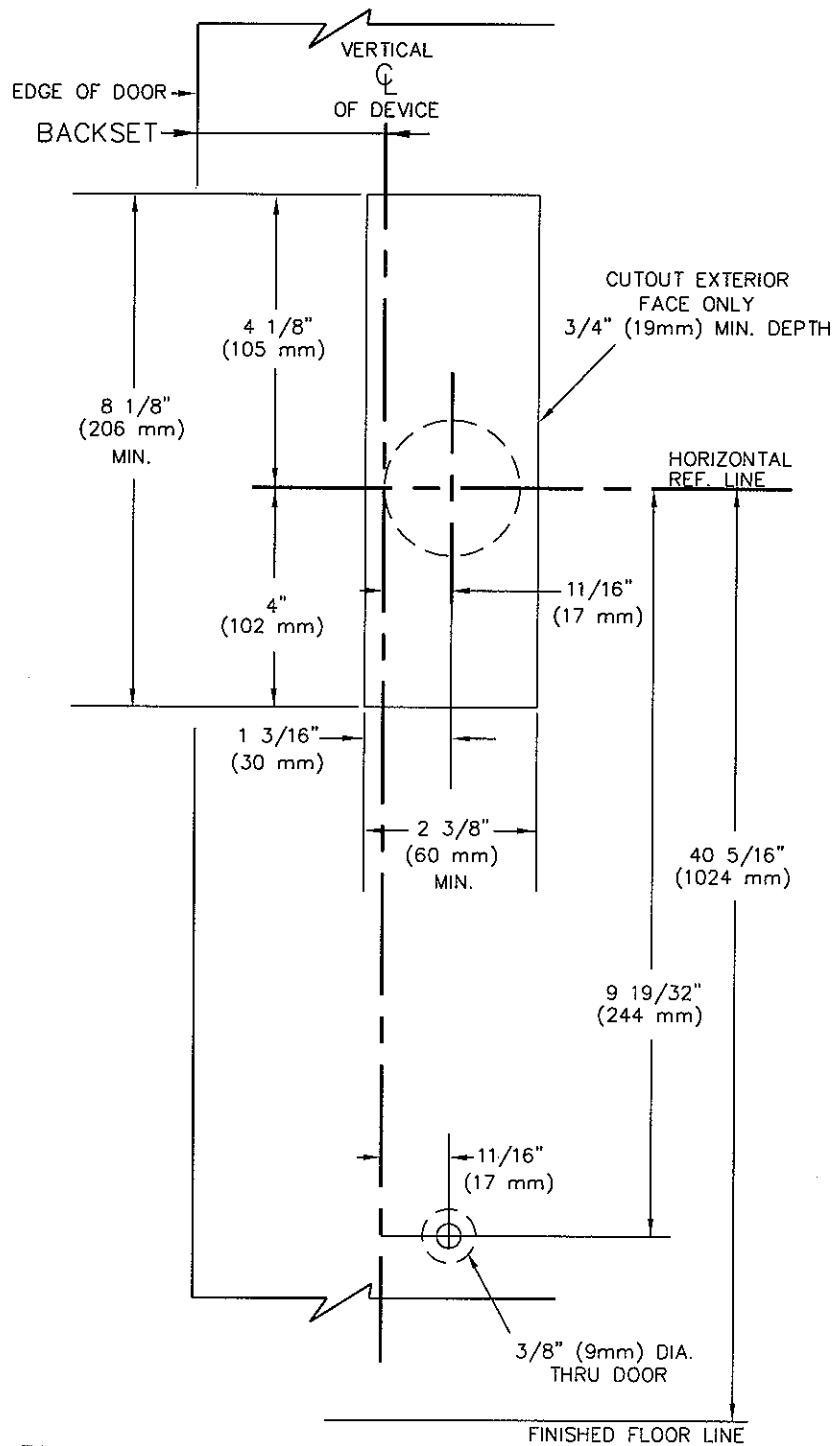
DATE: 1-28-08



8300 & F8300 x  
HTS22, HRS22, HTS05/06 & HRS05/06 TRIMS  
RIM TYPE EXIT DEVICE

TEMPLATE NUMBER  
T-10242<sup>②</sup>


RHR SHOWN  
LHR OPPOSITE



NOT TO SCALE

NOTES:

1. SEE MASTER SHEET #T-0001 FOR SUGGESTED DOOR REINFORCEMENT.

REV. No. 2	REVISION: MODIFY DIMENSION	DATE: 5-9-07
	<p>8300 &amp; F8300 x HTS22, HRS22, HTS05/06, HRS05/06 RIM TYPE EXIT DEVICE</p>	<p>TEMPLATE NUMBER T-2069②</p>