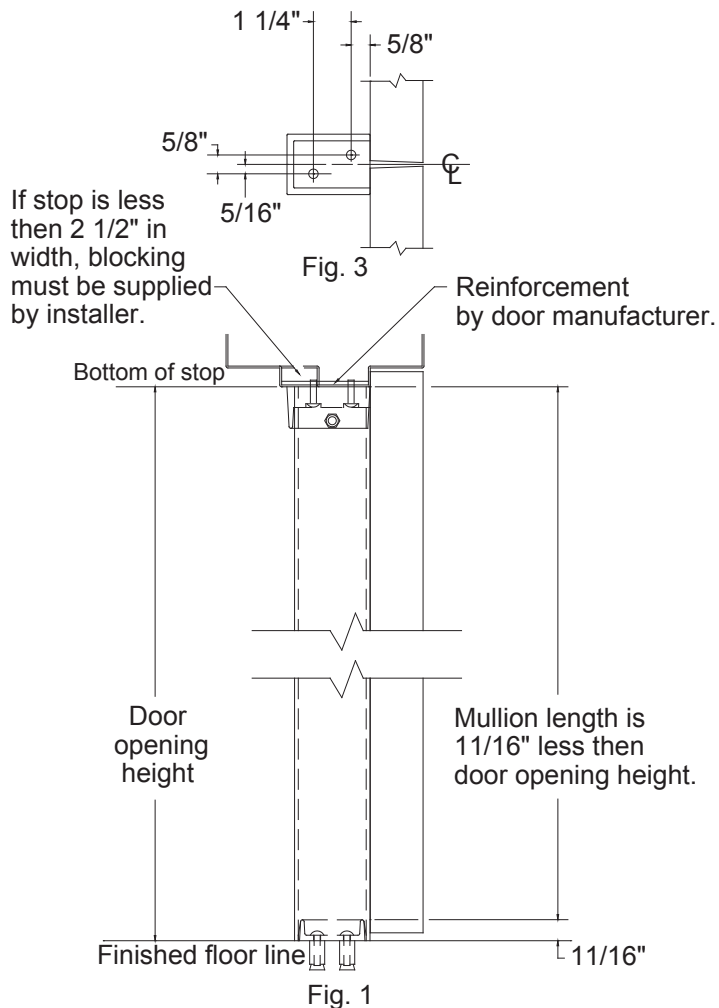


Typical Installation Instructions For 1330 Mullion



Installation:

Step 1: Measure door opening from finished floor to bottom of stop at centerline of doors. (See Fig. 1) Subtract 11/16" from this dimension for mullion length. Measure and cut mullion from opposite end with holes.

Step 2: Use bottom fitting as template; Mark and drill (2) 3/8" dia. x 2" deep holes. Insert (2) steel anchors and set. Secure bottom fitting with (2) 1/4"-20 x 1" P.H.P.M.S.

Step 3: Use top fitting as template; Mark and drill (2) .177 dia. holes and tap for (2) 12-24 thread. Install top fitting and secure with (2) 12-24 x 1" P.H.P.M.S.

Step 4: Tilt mullion slightly, insert end of mullion with holes onto bottom fitting. Slide top end of mullion into top fitting, insert (1) 1/4"-20 x 2 1/8" R.H.P.M.S. through hole in fitting and mullion. Install tooth washer and secure with 1/4"-20 x 3/8" acorn nut.

Step 5: Mount mullion stabilizers as shown in Fig. 4 below. Drill (4) .180 dia. holes and tap for 12-24 thread. Secure using (4) 12-24 x 3/4" R.H.P.M.S.

Step 6: Install exit device and strike using template and instructions packaged in carton.

