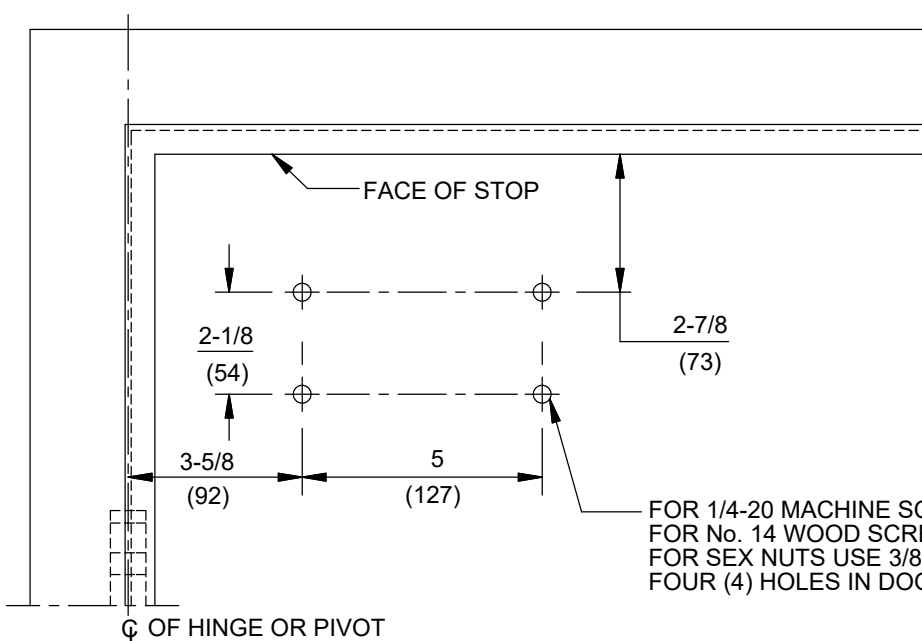


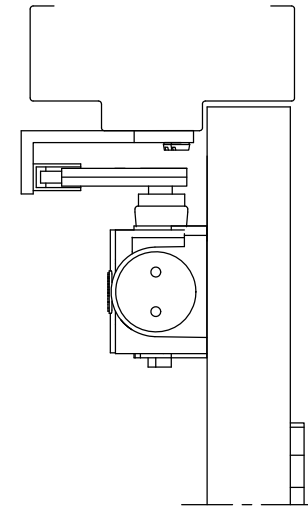
FOR 1/4-20 MACHINE SCREWS USE 7/32" DRILL & TAP
 FOR No. 14 WOOD SCREWS USE 5/32" DRILL
 FIVE (5) HOLES IN SOFFIT FOR BRACKET

NOTES:

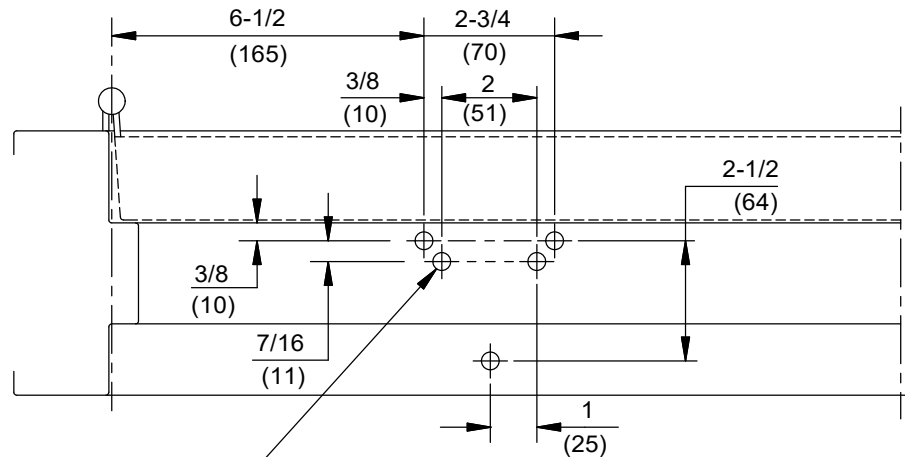
1. DO NOT SCALE DRAWING.
2. LEFT HAND DOOR SHOWN.
3. DIMENSIONS ARE IN INCHES/(MM).
4. CAUTION: SEX NUTS ARE REQUIRED FOR ATTACHMENT OF COMPONENTS TO UNREINFORCED DOORS AND TO WOOD OR PLASTIC FACED COMPOSITE TYPE FIRE DOORS, UNLESS AN ALTERNATIVE METHOD IS IDENTIFIED IN THE INDIVIDUAL DOOR MANUFACTURER'S LISTINGS.
5. MAXIMUM OPENING 180°.



FOR 1/4-20 MACHINE SCREWS USE 7/32" DRILL & TAP
 FOR No. 14 WOOD SCREWS USE 5/32" DRILL
 FOR SEX NUTS USE 3/8" DRILL
 FOUR (4) HOLES IN DOOR FOR CLOSER



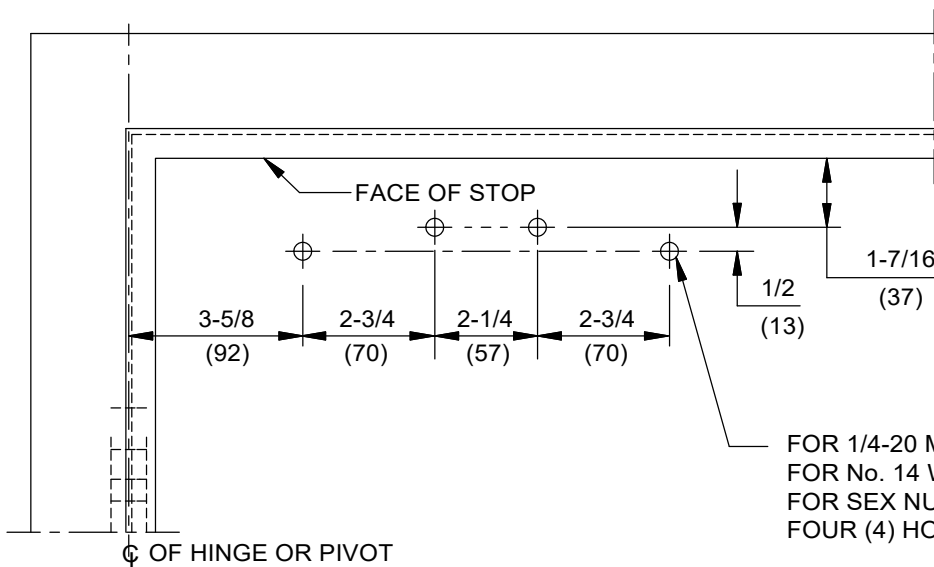
DOOR CLOSER MODELS: STA 8916 AR
 PARALLEL ARM INSTALLATION (PUSH SIDE MOUNT)



FOR 1/4-20 MACHINE SCREWS USE 7/32" DRILL & TAP
 FOR No. 14 WOOD SCREWS USE 5/32" DRILL
 FIVE (5) HOLES IN SOFFIT FOR BRACKET

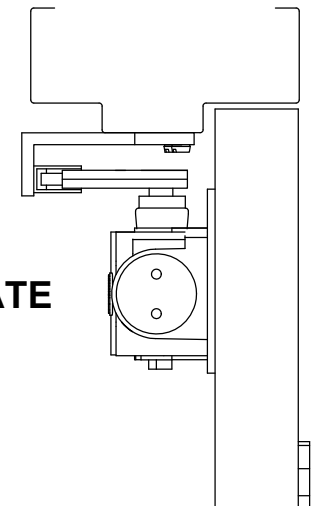
NOTES:

1. DO NOT SCALE DRAWING.
2. LEFT HAND DOOR SHOWN.
3. DIMENSIONS ARE IN INCHES/(MM).
4. CAUTION: SEX NUTS ARE REQUIRED FOR ATTACHMENT OF COMPONENTS TO UNREINFORCED DOORS AND TO WOOD OR PLASTIC FACED COMPOSITE TYPE FIRE DOORS, UNLESS AN ALTERNATIVE METHOD IS IDENTIFIED IN THE INDIVIDUAL DOOR MANUFACTURER'S LISTINGS.
5. MAXIMUM OPENING 180°.



FOR 1/4-20 MACHINE SCREWS USE 7/32" DRILL & TAP
 FOR No. 14 WOOD SCREWS USE 5/32" DRILL
 FOR SEX NUTS USE 3/8" DRILL
 FOUR (4) HOLES IN DOOR FOR PLATE

WITH DROP PLATE



DOOR CLOSER MODELS: STA 8916 AR
 PARALLEL ARM INSTALLATION (PUSH SIDE MOUNT)
 WITH PLATE DP89 DROP