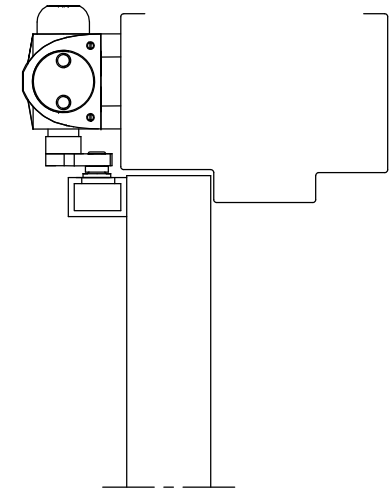
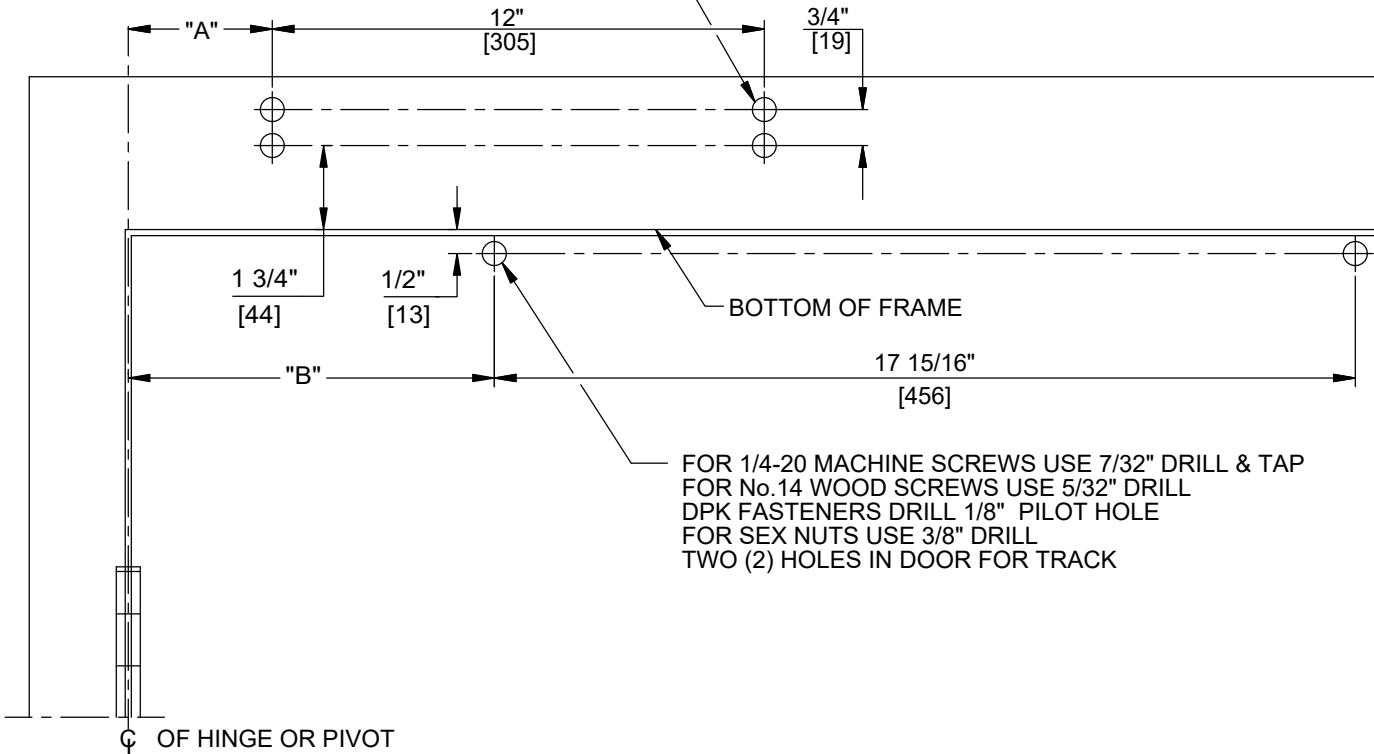


NOTES:

1. DO NOT SCALE DRAWING.
2. DIMENSIONS ARE IN INCHES/(MM).
3. RIGHT HAND DOOR SHOWN.
4. CAUTION: SEX NUTS ARE REQUIRED FOR ATTACHMENT OF COMPONENTS TO UNREINFORCED DOORS AND TO WOOD OR PLASTIC FACED COMPOSITE TYPE FIRE DOORS, UNLESS AN ALTERNATIVE METHOD IS IDENTIFIED IN THE INDIVIDUAL DOOR MANUFACTURER'S LISTINGS.
5. MAX. OPENING IS 180°.
6. OPTIONAL DPK FASTENERS (DPK86) FOR STEEL DOOR & FRAME ONLY.

ANGLE OF OPENING	DIM. "A" CLOSER	DIM. "B" TRACK	HOLD OPEN RANGE
85°	$\frac{1-1/4}{(32)}$	$\frac{10-3/8}{(263)}$	30°-83°
90°	$\frac{1-1/4}{(32)}$	$\frac{9-3/8}{(238)}$	30°-88°
110°	$\frac{0}{(0)}$	$\frac{7-1/2}{(190)}$	30°-108°
180°	$\frac{-1/2}{(-13)}$	$\frac{4-7/8}{(124)}$	30°-160°

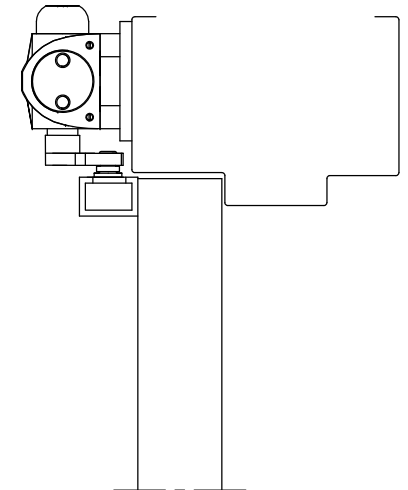
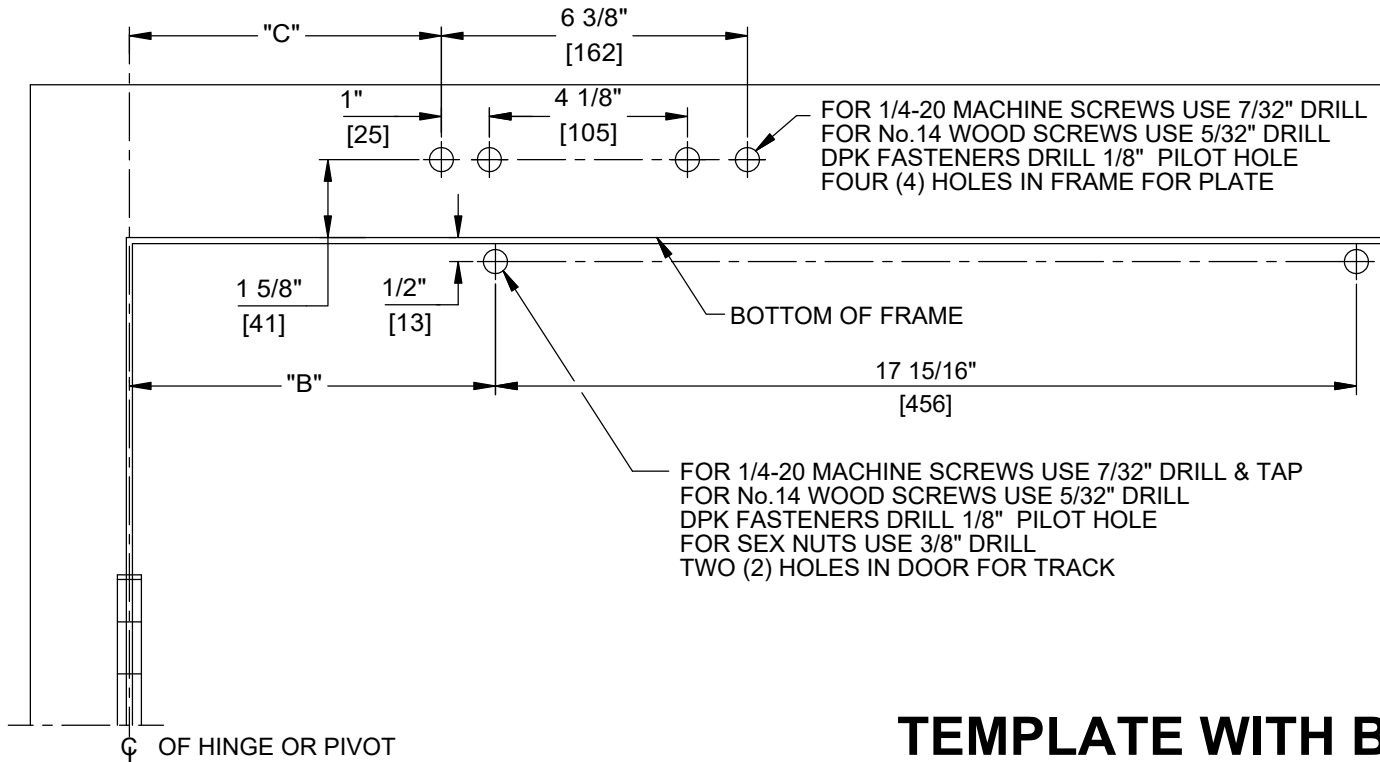
FOR 1/4-20 MACHINE SCREWS USE 7/32" DRILL & TAP
 FOR No.14 WOOD SCREWS USE 5/32" DRILL
 DPK FASTENERS DRILL 1/8" PILOT HOLE
 FOUR (4) HOLES IN FRAME FOR CLOSER



NOTES:

1. DO NOT SCALE DRAWING.
2. DIMENSIONS ARE IN INCHES/(MM).
3. RIGHT HAND DOOR SHOWN.
4. CAUTION: SEX NUTS ARE REQUIRED FOR ATTACHMENT OF COMPONENTS TO UNREINFORCED DOORS AND TO WOOD OR PLASTIC FACED COMPOSITE TYPE FIRE DOORS, UNLESS AN ALTERNATIVE METHOD IS IDENTIFIED IN THE INDIVIDUAL DOOR MANUFACTURER'S LISTINGS.
5. MAX. OPENING IS 180°.
6. OPTIONAL DPK FASTENERS (DPK86) FOR STEEL DOOR & FRAME ONLY.

ANGLE OF OPENING	DIM. "C" PLATE	DIM. "B" TRACK	HOLD OPEN RANGE
85°	6-1/2 (165)	10-3/8 (263)	30°-83°
90°	6-1/2 (165)	9-3/8 (238)	30°-88°
110°	5-1/4 (133)	7-1/2 (190)	30°-108°
180°	4-3/4 (121)	4-7/8 (124)	30°-160°



TEMPLATE WITH BACKPLATE

DOOR CLOSER MODELS: 8616 T, TH
TRACK INSTALLATION (PULL SIDE MOUNT)
WITH PLATES BP86T, BP86TFC